

Stormwater Pollution Prevention Plan (SWPPP)

For:

Woodland Cove
3102 Cranberry Highway
Wareham, Massachusetts

Operators:

Owner

Dakota Partners
235 Bear Hill Road, Suite 400
Waltham, MA 02451
(781) 899-4002

General Contractor

Dakota Partners
235 Bear Hill Road, Suite 400
Waltham, MA 02451
(781) 899-4002

Stormwater Manager and SWPPP Contact:

BSC Group, Inc.
c/o Dominic Rinaldi, PE
803 Summer Street
Boston, MA 02127
(617) 896-4386
drinaldi@bscgroup.com

SWPPP Preparation Date:

April 25, 2022

Estimated Project Dates:

Start of Construction: April 2021
Completion of Construction: May 2024

TABLE OF CONTENTS

- 1.0 Executive Summary**
 - 1.1 Project/Site Information**
- 2.0 Standard Conditions of the Construction General Permit (CGP)**
 - 2.1 Introduction**
 - 2.2 Procedural Conditions of the CGP**
- 3.0 Construction Contact List**
- 4.0 Project Description**
 - 4.1 Site Location**
 - 4.2 Existing Site Conditions**
 - 4.2.1 Existing Soil Conditions**
 - 4.3 Description of Proposed Work**
 - 4.4 Sequence of Construction Activities**
 - 4.5 Suggested Order of Work**
 - 4.6 Qualifications**
- 5.0 Stormwater Management Controls**
 - 5.1 Potential Sources for Stormwater Contamination**
 - 5.2 Temporary and Permanent Erosion Control Practices**
 - 5.2.1 Erosion and Sediment Controls**
 - 5.2.2 Stabilization Measures**
 - 5.2.3 Solid Waste**
 - 5.2.4 Dust Control**
 - 5.2.5 Material Storage**
 - 5.2.6 Dewatering**
 - 5.3 Suggested BMP's For Construction**
 - 5.3.1 Clearing**
 - 5.3.2 Grubbing, Stripping and Grading**
 - 5.3.3 Maintenance of Disturbed Surfaces**
 - 5.3.4 Loaming and Seeding**

5.3.5 Stormwater Collection System Installation

5.3.6 Completion of Paved Areas

5.3.7 Stabilization of Surfaces

6.0 Spill Control and Reporting

6.1 General

6.2 Spill Prevention

6.3 Spill Control

6.4 Spill Reporting and Emergency Contacts

7.0 Inspections and Corrective Action

7.1 General

7.2 Inspection Frequency

7.3 Inspection Reporting

7.4 Corrective Action

7.4.1 Person Responsible for Corrective Actions

8.0 Amendment Requirements

9.0 SWPPP Training

10.0 Certifications

11.0 Compliance with Federal, State and Local Regulations

11.1 Endangered Species

11.2 Historic Places

11.3 Other Permits and Regulations

APPENDICES

| | |
|--------------------|--|
| APPENDIX A: | SITE MAPS |
| APPENDIX B: | COPY OF 2022 CONSTRUCTION GENERAL PERMIT (CGP) |
| APPENDIX C: | NOTICE OF INTENT (NOI) AND EPA AUTHORIZATION EMAILS |
| APPENDIX D: | DELEGATION OF AUTHORITY FORM |
| APPENDIX E: | OPERATOR CERTIFICATION |
| APPENDIX F: | SUBCONTRACTOR AGREEMENT |
| APPENDIX G: | SWPPP TRAINING DOCUMENTATION |
| APPENDIX H: | SWPPP INSPECTION REPORTS |
| APPENDIX I: | CORRECTIVE ACTION FORMS |
| APPENDIX J: | CONSTRUCTION ACTIVITIES LOG |
| APPENDIX K: | SWPPP AMENDMENTS LOG |
| APPENDIX L: | NOTICE OF TERMINATION |
| APPENDIX M: | BMP DETAILS |
| APPENDIX N: | CORRESPONDENCE WITH U.S. FISH AND WILDLIFE SERVICE |

1.0 Executive Summary

This document was prepared by BSC Group, Inc. and serves as the Stormwater Pollution Prevention Plan (SWPPP) for construction of the multi-family residential development, Woodland Cove, located in Wareham, Massachusetts. A SWPPP is a requirement of the Environmental Protection Agency's (EPA) National Pollution Discharge Elimination System (NDPES) 2022 Construction General Permit (CGP) for discharges from construction activities to ensure the project is in compliance with the provisions of the Clean Water Act. A Notice of Intent (NOI) for coverage under the CGP was filed by the Owner/Operator (Dakota Partners) and the Contractor/Operator (same entity) prior to the commencement of land disturbance activities on the project site. The project requires coverage under the CGP until final site stabilization is established.

A complete copy of this SWPPP, including copies of all inspection reports, plan revisions, etc., must be retained at the project site at all times during working hours and must be kept in the permanent project records for at least three (3) years following submission of the Notice of Termination (NOT). A sign or other notice must be posted conspicuously near the main entrance of the construction site displaying the permit number issued by the EPA, visible from a public roadway. The sign or notice must also contain a copy of the NOI for public viewing and specify the location of the SWPPP kept on-site.

Employees and subcontractors must be trained, as necessary, to make them aware of the applicable erosion & sediment control measures implemented at the site. The General Contractor is responsible for keeping a record of the names and addresses of all subcontractors working on this project who will be involved with major construction activities that disturb site soil.

The SWPPP Inspector must be a Qualified Person as defined in the CGP and must be familiar with the site, the nature of the construction activities, the CGP, and erosion & sediment control practices. The SWPPP Inspector must be either someone empowered to implement modifications to this SWPPP and to the pollutant control devices, if needed, in order to increase effectiveness to an acceptable level, or someone with the ability or authority to cause such things to happen.

As described below, regular inspections must be made to determine the effectiveness of this SWPPP. It should be modified as needed to prevent pollutants from discharging from the site. This SWPPP must be amended as necessary during the course of construction in order to keep it current with the pollution control measures utilized at the site. The SWPPP must be updated each time there are significant modifications to the pollution prevention system or a change of contractors performing work on the project that disturbs site soil. Amending the SWPPP does not mean that it has to be reprinted. It is acceptable to handwrite revisions, add addenda, sketches, new sections, and/or revised drawings.

This SWPPP is intended to control water-borne, dust-borne and liquid pollutant discharges by a combination of avoidance, interception, filtration, and containment. The Owner/Operator, Contractor/Operator, and all subcontractors implementing this SWPPP must remain alert to the need to periodically refine and update the SWPPP in order to accomplish the intended goals.

***Stormwater Pollution Prevention Plan (SWPPP)
Woodland Cove
Wareham, Massachusetts***

A record of the dates when major grading activities occur, when construction activities temporarily or permanently cease on a portion of the site, and when stabilization measures are initiated must be maintained until the Notice of Termination (NOT) is filed. If a section or phase of the project reaches final stabilization prior to the entire project reaching final stabilization, that section shall be clearly marked on the site plans in the SWPPP and no longer requires inspection. Once the entire site reaches final stabilization, the Owner/Operator and Contractor/Operator must complete and submit an NOT for their activities on site to close the permit.

If an Owner/Operator or a Contractor/Operator who submitted an NOI leaves the project or sells the land, a NOT must be filed and a new NOI must be submitted for the new Owner/Operator or Contractor/Operator.

A discharge of oil or other hazardous substances into stormwater is subject to reporting and cleanup requirements found in the CGP.

1.1 Project/Site Information

Project/Site Name: [Woodland Cove](#)

Project Street/Location: [3102 Cranberry Highway](#)

City: [Wareham](#) State: [MA](#) Zip Code: [02538](#)

County or Similar Subdivision: [Plymouth County](#)

Latitude/Longitude

Latitude:

Longitude:

41 ° 45 ' 24 " N (degrees, minutes, seconds)

70 ° 38 ' 33 " W (degrees, minutes, seconds)

Method for determining latitude/longitude:

USGS (specify scale: _____) EPA Web site GPS

Other (please specify): [Google Earth](#)

Horizontal Reference Datum: NAD 27 NAD 83 or WGS 84 Unknown

Is the project located in Indian country? Yes No

Is this project considered a federal facility? Yes No

EPA assigned NPDES permit tracking number: [MAR1003BZ](#)

Estimated Project Start Date: [April 2021](#)

Estimated Project Completion Date: [May 2024](#)

Estimated Area to be Disturbed: [7.9+/- Acres](#)

Have earth-disturbing activities commenced on your project/site? Yes No

Have stormwater discharges from your project/site been covered previously under a NDPEs Permit?

Yes No

Does your project/site discharge stormwater to a Municipal Separate Storm Sewer System (MS4)?

Yes No

Are there any surface waters within 50 feet of your project's earth disturbances?

Yes No

Will you use polymers, flocculants, or other treatment chemicals at your construction site?

Yes No

*Stormwater Pollution Prevention Plan (SWPPP)
Woodland Cove
Wareham, Massachusetts*

Table 1 – Names of Receiving Waters

| |
|---|
| Name of the first surface water that receives stormwater directly from your site. |
| 1. Sand Pond |

Table 2 – Impaired Waters / TMDLs

| | Is this surface water listed as “impaired”? | If you answered yes, then answer the following: | | | |
|-----------|---|---|---|----------------------------|--|
| | | What pollutant(s) are causing the impairment? | Has a TMDL been completed? | Title of the TMDL document | Pollutant(s) for which there is a TMDL |
| 1. | <input type="checkbox"/> YES <input checked="" type="checkbox"/> NO | - | <input type="checkbox"/> YES <input checked="" type="checkbox"/> NO | - | - |

Describe the methods you used to determine whether or not your project/site discharges to an impaired water:

Not listed on the Massachusetts Year 2016 Integrated List of Waters

Table 3 – Tier 2, 2.5, or 3 Waters

| | Is this surface water designated as a Tier 2, Tier 2.5, or Tier 3 water? | If you answered yes, specify which Tier (2, 2.5, or 3) the surface water is designated as? |
|-----------|--|--|
| 1. | <input checked="" type="checkbox"/> YES <input type="checkbox"/> NO | Tier 2.5 |

Describe the methods you used to determine the results found in Table 3.

314 CMR 4.00 MA Surface Water Quality Standards.

2.0 Standard Conditions of the Construction General Permit (CGP)

2.1 Introduction

This SWPPP was prepared by BSC Group, Inc. (BSC) for the construction of the multi-family residential development, Woodland Cove, located in Wareham, Massachusetts as part of the requirements for coverage under the Environmental Protection Agency's (EPA) National Pollutant Discharge Elimination System (NPDES) Construction General Permit (CGP).

For construction projects, the permit requires that Operators of all common plans of development that disturb more than one (1) acre of land must gain coverage under the CGP by filing a Notice of Intent (NOI) with the EPA, and by developing and complying with a SWPPP for on-site construction activities. Construction is defined by the EPA as soil-disturbing activities, such as grading, excavating, and clearing, and/or material storage or maintenance areas that disturb greater than one (1) acre of land, including smaller areas of disturbance when part of a larger common plan of development. The proposed project will result in a total land disturbance of approximately 7.9 acres.

The regulations require that if the Owner/Operator (entity in control over contract documents) and the Contractor/Operator (entity in control over the site operations) of a site are not the same individual/entity, both parties must submit an NOI for coverage under the permit. The Owner/Operator and General Contractor of the project, Dakota Partners, has submitted a completed NOI to EPA regarding this SWPPP. Copies of the NOIs can be found in **Appendix C**.

Note: The EPA has identified both the Owner and Contractor as "Operators." For clarification purposes, in the event the term "Operator" is written without a prefix (i.e. Owner/Operator or Contractor/Operator), "Operator" shall mean the "Contractor/Operator", and/or their subcontractors – the responsible party(ies) having day-to-day control of earth-disturbing activities on the site.

The Contractor/Operator shall comply with the requirements of this SWPPP with regards to day-to-day construction activities and shall perform his/her operations in strict conformance with the CGP.

If subcontractors are hired, language must be added to the SWPPP to identify the portions of the site for which each contractor is responsible. All contractors working on the project will be responsible for stormwater management from construction activities that are contractually their responsibility, and must ensure that their activities are not compromising another contractor's stormwater controls or Best Management Practices (BMPs). The Contractor/Operator is ultimately responsible for ensuring the erosion and sedimentation controls on site are properly maintained.

The purpose of stormwater management is to prevent erosion on the construction site itself and on adjacent undisturbed areas, and to prevent sedimentation of natural watercourses and vegetated areas. This is generally accomplished through both stabilization and structural control practices. Stormwater management also addresses pollution prevention using measures to reduce pollutants in stormwater as well as using good housekeeping practices on the construction site.

The purpose of the SWPPP is to establish requirements and instructions for the management of construction-related stormwater discharges. Best Management Practices (BMP's) are addressed in the SWPPP and shall be utilized on-site in order to mitigate for potential pollutants, sediments, stormwater peak flows, and to dissipate storm water velocities.

The SWPPP is required to meet the three major objectives of the CGP:

1. Identify all potential sources of pollution which may reasonably be expected to affect the quality of stormwater discharges from the construction site;
2. Describe the practices to be used to reduce pollutants in stormwater discharges from the construction site; and
3. Assure compliance with the terms and conditions of the CGP.

A copy of the CGP can be found in **Appendix B**.

2.2 Procedural Conditions of the CGP

- The Owner/Operator and Contractor/Operators must sign the Operator Certification in **Appendix E** which states that the SWPPP was prepared under their direction and the information contained herein, to the best of their knowledge, is accurate and complete.
- All subcontractors involved in clearing, grading, excavation and major construction activities must sign the Subcontractor Agreement in **Appendix F**, which will remain with the SWPPP.
- Once the SWPPP is finalized, a signed copy, plus supporting documents, must be held at the project site during construction. Either this copy or another copy must remain available to EPA, State, and Local agencies, and other interested parties during normal business hours.
- The completed/submitted NOI must be posted in a prominent place at the construction site until final stabilization has been achieved. This posting should also include the location where the public can view the SWPPP during normal business hours. A copy of the signed/submitted NOI, the permit number issued by EPA, and a copy of the current CGP will be kept with the SWPPP as well.
- Project Specific SWPPP documents are not submitted to the EPA unless the agency specifically requests a copy for review. However, if the permitting authority requests a SWPPP, the permittee(s) will submit it in a timely manner. Any other records related to the requirements of the CGP must be supplied to EPA if requested.
- In addition, EPA inspectors will be allowed free and unrestricted access to the project site and all related documentation and records kept under the conditions of the permit.
- The permittee is expected to keep all best management practices and storm water controls operating correctly and maintained regularly.
- Any additions to the project that will significantly change the anticipated discharges of pollutants must be reported to the EPA. The EPA should also be notified in advance of any anticipated events of noncompliance. The permittee must also orally inform EPA of any discharge that may endanger health or the environment within 24 hours, with a written report following within 5 days.
- In maintaining the SWPPP, all records and supporting documents will be compiled together in an orderly fashion. Inspection reports and amendments to the SWPPP must remain with the document.

Stormwater Pollution Prevention Plan (SWPPP)
Woodland Cove
Wareham, Massachusetts

Federal regulations require permittee(s) to keep their Project Specific SWPPP and all reports and documents for at least three (3) years after the project is complete.

- The permittee must remain in compliance with all permit conditions. If noncompliance occurs, it is considered a violation of the Clean Water Act (CWA) and can result in termination of permit coverage. Negligent violation of certain sections of the CWA can result in \$2,500 to \$25,000 fines per day and/or imprisonment up to one year. Knowingly violating the CWA can result in fines of \$5,000 to \$50,000 per day and/or imprisonment up to 3 years. Second offenses can result in twice as much. Administrative violations can also be issued.
- If the current permit expires while the project is ongoing, the permittee must reapply in order to maintain coverage.
- The permittee must comply with all effluent standards for toxic pollutants and sewage sludge, stated in the CWA.
- It will not be considered a defense that project activities would have to be suspended in order to remain in compliance with the permit conditions.
- The permit does not cover post-construction discharges following final stabilization.
- A record of the dates when major grading activities occur, when construction activities temporarily or permanently cease on a portion of the site, and when stabilization measures are initiated must be maintained until the Notice of Termination (NOT) is filed. If a section or phase of the project reaches final stabilization prior to the entire project reaching final stabilization, that section shall be clearly marked on the site plans and the date of final stabilization shall be recorded in the Construction Activities Log found in **Appendix J**. A different form for the log may be substituted if it is found to be more useful. Areas so marked are no longer required to be inspected as a part of permit compliance. Once the entire site reaches final stabilization, the Owner/Operator and Contractor/Operator must complete and submit an NOT for their activities on site to close the permit.
- Upon completion of the construction activities and final stabilization of the site (i.e. with 70% of the native background vegetation cover and/or completed as designed with no erosion or sediment control issues), the Owner/Operator and Contractor/Operator shall prepare and submit a Notice of Termination (NOT) using the EPA's electronic NOI system, or "eNOI system" www.epa.gov/npdes/stormwater/cgpenoi. Using the NOI permit tracking number a fillable NOT form will be provided. If given approval by the EPA Regional Office to use a paper NOT, a copy of the form is found in **Appendix L**.
- If an Operator transfers the project to another firm prior to the completion of the project, they will also be required to file an NOT at that time and the new Operator will need to file a new NOI.

3.0 Construction Contact List

3.1 Project Contacts

The project contact list is provided below. These personnel either have operational control over the plans and specifications or day-to-day operational control of stipulated construction activities on site to ensure compliance with the SWPPP and Permit Conditions. The duties of these personnel include one or more of the following:

- Implement the SWPPP
- Oversee maintenance practices identified as BMP's in the SWPPP
- Conduct or provide for inspection and monitoring activities
- Identify other potential pollutant sources and make sure that they are added to the plan
- Identify any amendments to the SWPPP necessitated by field conditions and make sure they are implemented
- Ensure that any design changes during construction are addressed in the SWPPP.

| | |
|-----------------------|----------------------------|
| Owner/Operator | Dakota Partners |
| Contact name | Alex Beaton |
| Contact Address | 235 Bear Hill Rd, Ste. 400 |
| City, State, ZIP code | Waltham, MA 02451 |
| Telephone | (781) 786-1200 |

| | |
|---------------------------------------|--|
| Owner/Operator | |
| Duly Authorized Representative | |
| Contact name | |
| Contact Address | |
| City, State, ZIP code | |
| Telephone | |

| | |
|----------------------------|------------------------|
| Contractor/Operator | |
| Company Name | Same as Owner/Operator |
| Representative | |
| Address | |
| City, State, ZIP code | |
| Telephone | |

Stormwater Pollution Prevention Plan (SWPPP)
Woodland Cove
Wareham, Massachusetts

Designer/Engineer of Site Plans

| | |
|-----------------------|---------------------|
| Company Name | BSC Group, Inc. |
| Contact Name | Dominic Rinaldi, PE |
| Address | 803 Summer Street |
| City, State, ZIP code | Boston, MA 02127 |
| Telephone | (617) 896-4386 |

3.2 Stormwater Team

The Stormwater Team is responsible for overseeing the development of the SWPPP, any later modifications to it, and overseeing compliance with the requirements of the CGP. The Stormwater Team members and their individual responsibilities are listed below.

Stormwater Team Member: Alex Beaton

Position: Owner/Operator & Contractor/Operator

Role/Responsibility: Ensure compliance with the requirements of the CGP throughout the entire project, and oversee implementation of stormwater management practices and ensure compliance with the CGP during day-to-day activities on site, conduct SWPPP inspections and subsequent report

Stormwater Team Member: Dominic Rinaldi, PE – BSC Group, Inc.

Position: Stormwater Manager

Role/Responsibility: Develop SWPPP and Erosion & Sedimentation Control Plans.

4.0 Project Description

4.1 Site Location

The Woodland Cove project is located on the north side of Cranberry Highway at the intersection with Red Brook Road. The project is bounded on the north by a parcel deeded to Onset Fire District, bounded on the east by residential properties, bounded on the south by Cranberry Highway (Route 6 & 28), and bounded on the west by residential properties. The Star Light Motel with associated parking lot and driveway is located in the southwest corner of the property.

4.2 Existing Site Conditions

The Star Light Motel with associated parking lot and driveway is located in the southwest corner of the property. At one time there was a house and garage with driveway in the southeast corner of the property off Red Brook Road. This building and driveway have been removed or become deteriorated/overgrown. The remainder of the site is wooded land with gradual slopes.

4.2.1 Existing Soil Conditions

The existing site topography generally slopes from south to north with average slopes between 4 – 6%. The current site is mostly comprised of light woods and sandy topsoil. The NRCS Web Soil Survey, has identified three primary soil classifications underlying the project site. The soil map unit classified as 259B accounts for nearly 90% of the project site which is generally a well-draining soil with high infiltration rates. The remaining 10% of the soils are on previously developed land along Route 6 & 28 and are classified as urban land. Five (5) deep hole test pits and double ring infiltrometer testing were performed by BSC Group in April 2017. The results of the soil testing confirm the NRCS soil classifications for this property as well draining sands with deep groundwater.

4.3 Description of Proposed Work

The Project includes the demolition of the existing “Star Light Motel”, clearing and grubbing to the property line, construction of five (5) new four-story multi-family buildings, a community building, surface parking areas, walkways, a playground, utility services, and a stormwater management system. The new buildings have an approximately 10,000 square foot footprint each, and the community building is approximately 3,500 square feet.

4.4 Sequence of Construction Activities

This Section provides the Contractor/Operator with a suggested order of construction that shall minimize erosion and the transport of sediments. The Contractor shall follow the following general principles during the construction phase:

- Protect and maintain existing vegetation wherever possible.
- Minimize the area of disturbance.
- To the extent possible, route unpolluted flows around disturbed areas.
- Minimize the time disturbed areas are left unstabilized.
- Maintain siltation control devices in proper condition.

The Contractor should use the suggested construction sequence as a general guide and modify the suggested methods and procedures as required to best suit seasonal, atmospheric, and site-specific physical constraints for the purpose of minimizing the environmental impact of construction.

4.5 Suggested Order of Work

General

The following is a suggested order of work for the Contractor to follow for the development. The intent of this Suggested Order of Work is to provide the Contractor with guidelines for his work during Construction.

Install Erosion Control measures

An erosion control barrier consisting of silt fence and straw wattles staked with the ends butted up against one another to prevent siltation from passing through in the locations shown on the plans. The perimeter control barrier is to be considered the limit of work. No disturbance is to occur beyond these limits.

Take effective action to control erosion and run-off and prevent siltation of drainage systems and pollution of waterways. Provide additional straw wattles, temporary dams, sediment basins, mats, seeding or other effective control measures as required during construction as the site dictates. Regularly inspect and repair erosion and sediment controls to maintain effective controls.

Cutting and Clearing

Install additional temporary erosion control (TEC) devices as required to prevent transport of sediment into resource areas during initial stages of construction.

The work shall be conducted with prime consideration given to the following:

- Compliance with governing laws and building codes.
- Safety, protection, and convenience of the public and workmen.
- Minimization of dirt and dust proliferation.
- Neat and accurate cutting and trimming of elements to be partially removed.
- Avoidance of any damage to existing vegetation to remain.
- Brush and branches shall be mulched and stockpiled on-site for use as temporary erosion control.
- Clear only trees that are within the limits of work and within the limits of the construction of the building, paved areas, access driveway, and other site improvements as shown on the approved drawings.
- Stabilize all exposed surfaces that will not be under immediate construction.

Topsoil Stripping and Stockpiling

Topsoil: Topsoil is defined as friable clay loam surface soil found in a depth of not less than four (4) inches. Satisfactory topsoil is reasonably free of subsoil, clay lumps, stones, and other objects over one (1) inch in diameter, and without weeds, roots, and other objectionable material. Topsoil shall conform to Massachusetts Highway Department Standards and Specifications for Highways and Bridges specification section M1.07.0.

Where existing trees are indicated to remain, leave existing topsoil in place within drip lines to prevent damage to root system.

Stormwater Pollution Prevention Plan (SWPPP)
Woodland Cove
Wareham, Massachusetts

Stockpile topsoil, fill, excavated material, debris, and construction and building materials in storage piles. Construct storage piles to provide free drainage of surface water. Cover storage piles to prevent erosion and install straw wattles around the base of the stockpiles.

Remove unsuitable or excessive topsoil and dispose of legally.

Should the Owner approve, the Contractor may remove the topsoil from the site, and stockpile it at an off-site location following the same stockpiling procedures described herein.

When required for site work, all existing topsoil to be reused, whether on-site or removed to an off-site location, shall be screened.

Demolition, Grubbing and Stripping to Limits of Construction Phase

Install additional TEC devices as required to prevent sediment transport.

Completely remove all stumps and roots within the limit of work.

Stabilize all exposed surfaces that will not be under immediate construction.

Store and/or dispose all pavement and building demolition debris as indicated and in accordance with all applicable local, state, and federal regulations.

Pavement Subbase Construction

Install temporary culverts and diversion ditches and additional TEC devices as required by individual construction area constraints to direct potential runoff toward detention areas designated for the current construction phase.

Compact gravel as work progresses to control erosion potential.

Apply water to control air suspension of dust.

Avoid creating an erosive condition due to over-watering.

Install piped utility systems as required as work progresses, keeping all inlets sealed until all downstream drainage system components are functional.

Binder Construction

Fine grade gravel base and install process gravel to the design grades.

Compact pavement base as work progresses.

Install pavement binder coat starting from the downhill end of the site and work toward the top. Prior to the placement of any impervious materials on the site, all affected drainage systems shall be properly installed and functional.

Finish Paving

Repair and stabilize damaged side slopes.

Clean inverts of drainage structures.

Install final topcoat of pavement.

Final Clean-Up

Clean inverts of culverts.

Remove sediment and debris from rip-rap outlet areas.

Remove TEC devices **only** after permanent vegetation and erosion control has been fully

established.

Clean closed drainage system to remove any sediments that may have been accumulated during construction.

4.6 Qualifications

SWPPP Preparation

Dakota Partners has requested BSC Group, Inc. (BSC) prepare this SWPPP. BSC officers have assigned professional engineers or engineering staff directly assigned to the professional engineer, familiar with the site to prepare the Plan.

Qualifications of BSC Personnel

Dominic Rinaldi, PE (BSC Group, Inc.) is the Qualified Personnel assigned to oversee SWPPP preparation. He is knowledgeable in the principles and practice of erosion and sediment controls and possess the skills to assess conditions at the construction site that could impact stormwater quality and to assess the effectiveness of any sediment and erosion control measures selected to control the quality of stormwater discharges from the construction activity.

5.0 Stormwater Management Controls

5.1 Potential Sources for Stormwater Contamination

Any activities and processes that result in the potential to add pollutants to run-off are subject to the requirements of this document. This includes all areas of land disturbed either through grading, excavating, and construction or material storage areas. Water that comes in contact with the surface of the project site as a result of precipitation (snow, hail, rain, etc.) is considered stormwater associated with construction activity and is subject to the requirements of this SWPPP.

Examples of Specific Potential Sources of Stormwater Contamination on Construction Site

Construction Site Entrance: Vehicles leaving the site can track soil onto public roadways.

Grading Operations: Exposed soils have the potential for erosion and discharge of sediment to off-site areas.

Excavation and Relocation of Soils: Excavation and relocation of the contaminated soils may create temporary soil stockpiles with the potential for erosion.

Construction Vehicles: Refueling of vehicles may spill or drip gasoline and diesel fuel onto the ground. On-site maintenance of excavating equipment may drip hydraulic oil, lubricants and antifreeze onto the ground.

Fugitive Dust: Dust generated by construction vehicles can be deposited in waterways.

Concrete trucks are directed to wash out their chutes, etc. at areas designated by the Engineer only and the effluent must be discharged into an Owner-approved BMP and cannot be discharged into the closed drainage system. These concrete washout area(s) shall be located within the proposed parking area and as far away from drainage structures as possible.

5.2 Temporary and Permanent Erosion Control Practices

The CGP requires that construction projects include Best Management Practices (BMPs) to control erosion and sedimentation. The Contractor/Operator shall be solely responsible for erosion and sedimentation control at the site and shall be responsible for setting up erosion and sedimentation controls prior to construction. The Contractor/Operator will utilize a system of operations and all necessary erosion and sedimentation control measures, even if not specified herein or elsewhere, to minimize erosion damage at the site.

The following information explains how potentially polluted discharges will be controlled, filtered and conveyed on site. The locations of the proposed BMPs and control measures will be depicted on the site plans included with the SWPPP.

5.2.1 Erosion and Sediment Controls

Erosion and sediment controls have been incorporated in the design of the site with the objective of retaining sediment on site, filtering, and reducing stormwater discharge to minimize impacts to adjacent roadways and waterways. A combination of stabilization and structural practices is included to meet the objective, as described in detail below and can also be viewed in **Appendix M** "BMP Details." The following is a list of common structural erosion control devices, which may be applied:

Temporary:

- Perimeter straw wattles and or silt fence
- Sediment traps

Stormwater Pollution Prevention Plan (SWPPP)
Woodland Cove
Wareham, Massachusetts

- Storm drain inlet protection
- Temporary construction entrance
- Temporary diversion swale
- Temporary drainage swale with straw wattle check dams
- Haybale or stone check dams

Permanent:

- Deep-sump, hooded catch basins
- CDS water quality units
- Subsurface infiltration systems
- Bioretention area (raingarden)

Throughout the project, a row of straw wattles will be installed around the perimeter and maintained to prevent sedimentation from disturbed areas. The line of erosion and sedimentation control devices, as depicted in the project plans, will be installed prior to any land disturbance on the project site. The controls will be inspected on a daily basis and an adequate supply of erosion control materials such as extra straw wattles, haybales, silt fence, or filter fabric will be appropriately stored onsite in the instance immediate repairs are required.

Existing and proposed catch basins and storm drain inlets will be protected from additional sedimentation via silt sack inserts in the grates, or the installation of filter fabric staked around the perimeter of the catch basins. The temporary measures will not be removed until permanent stabilization has occurred.

Permanent structural erosion control devices are located on the project plans.

5.2.2 Stabilization Measures

Stabilization of surfaces includes the placement of pavement, stone, and building structures. Any remaining disturbed areas following construction will be loamed and seeded, mulched, landscaped, planted, or have stonework in place for final stabilization.

Areas that have been completed or that will not be worked on for more than 7 days should be stabilized with vegetative cover or other stabilization measure as soon as possible but not more than 7 days after the last construction activity. Surfaces that are disturbed by ongoing construction activities or erosion processes shall be stabilized as soon as possible. Loam will not be placed unless it is to be seeded or otherwise stabilized in an appropriate manner directly thereafter. All disturbed areas will have a minimum of 6-inches of loam placed before being seeded and mulched. Consideration will be given to hydro-mulching, especially on slopes in excess of 3 to 1. Loamed and seeded slopes will be protected from washout by mulching or other acceptable slope protection until vegetation begins to grow. All landscaping and plantings shall be in accordance with approved project plans.

Temporary seeding or mulching or stonework will be performed on areas that are left bare for more than 7 days from the date of last construction activity, except when construction activity will resume within 7 days (e.g., the total time period that construction activity is temporarily ceased is less than 7 days). Soil stockpiles stored for twenty-four (24) hours or longer will be provided with any necessary erosion control to prevent erosion and sedimentation, including installation of perimeter straw wattles, cover with fabric liner and plastic sheeting.

5.2.3 Solid Waste

Waste disposal receptacles and trailers will be used for the disposal of construction debris, which will be removed from the site according to state, local and federal guidelines. Construction debris

will include hot mix asphalt pavement, concrete, curbing, miscellaneous utilities, earth and building materials that cannot be reused. The receptacles will be located on-site and covered. If stockpiles of debris materials are necessary, perimeter controls or plastic sheeting/covering will be used if deemed necessary during regular site inspections. A concrete washout area will be established and utilized within the proposed parking area.

Portable sanitary units will be placed on-site during construction and will be serviced regularly.

5.2.4 Dust Control

To avoid sediment tracking and/or fugitive dust from leaving the site, a variety of mitigation measures are employed. As needed, a temporary stone entrance for construction vehicles shall be established. Also, as necessary, water trucks shall be used to wet dry, dusty soil if it becomes an issue. Street sweeping shall be performed as needed to reduce the build-up of dust and sediment on roadways and parking areas.

Project-related wheel washes are not anticipated. Should wheel washes be required, the Contractor/Operator shall provide them.

5.2.5 Material Storage

Material storage yards are also covered by this SWPPP and must be managed appropriately. It is anticipated that some storage of materials will occur on site. The storage area will also include supplies of additional erosion control materials such as extra straw wattles. The Contractor/Operator will mark the plans with the location of the storage area.

Hazardous materials necessary for construction will be stored in watertight containers or buildings in accordance with state and local regulations and the manufacturer's recommendations, with appropriately sized spill kits on hand. The storage area will be inspected for signs of leakage or unsafe storage and transfer practices.

See Section 6 – Spill Control and Reporting for reporting requirements.

5.2.6 Dewatering

Dewatering activities during construction activities where water will be released to a storm drain shall make use of a stilling basin or similar device to remove sediment before the water is released. The stilling basin shall be located on the upland side of the limit of work line and shall consist of at least haybales, silt fence, crushed stone at the base of the pump, and filter fabric bag/sock attached to the discharge hose. Per 2022 CGP guidelines dewatering can only occur in pre-approved locations outside of resource area buffers or via vacuum truck unless turbidity monitoring occurs. Crews are instructed to coordinate pre-approved locations with the duly authorized representative for any anticipated dewatering. Should dewatering outside these locations be required a vacuum truck will be employed. Given these conditions are adhered to no turbidity monitoring is required. If dewatering discharges are proposed to infiltrate off site, the eNOI must be resubmitted and the turbidity monitoring, sampling and reporting outlined in Appendix K of the CGP must be adhered to.

5.3 Suggested BMP's For Construction

5.3.1 Clearing

- Wheel ruts shall be filled in and graded to prevent concentration of storm water runoff.
- Vehicle tracks leading downhill shall be blocked during periods of intense precipitation by straw wattles, haybales, dikes, or silt fences that shall be constructed to entrap the sediment.

5.3.2 Grubbing, Stripping and Grading

- Erosion control devices shall be in place as shown on the design plans before grading commences.
- Stripping shall be done in a manner which will not concentrate runoff. If precipitation is expected, earthen berms shall be constructed around the area being stripped, with a silt fence or haybale dikes located in an arc at the low point of the berm.
- If intense precipitation is anticipated, straw wattles, haybales, dikes and/or silt fences shall be used as required to prevent erosion and sediment transport. The materials required shall be stored on site at all times.
- If water is required for soil compaction, it shall be added in a uniform manner that does not allow excess water to flow off the area being compacted.
- Dust shall be held at a minimum by sprinkling exposed soil with an appropriate amount of water.

5.3.3 Maintenance of Disturbed Surfaces

- Runoff shall be diverted from disturbed side slopes in both cut and fill.
- Mulching may be used for temporary stabilization.
- Straw wattles, haybale dikes or silt fences shall be set where required to trap products of erosion and shall be maintained on a continuing basis during the construction process.

5.3.4 Loaming and Seeding

- Loam shall not be placed unless it is to be seeded directly thereafter.
- All disturbed areas shall have a minimum of 6" of loam placed before being seeded and mulched.
- Consideration shall be given to hydro-mulching, especially on slopes in excess of 3 to 1.
- Loamed and seeded slopes shall be protected from washout by mulching or other acceptable slope protection until vegetation begins to grow.

5.3.5 Stormwater Collection System Installation

- The stormwater drainage system shall be installed from the downstream end up and in a manner that will not allow runoff from disturbed areas to enter pipes.
- Excavations for the drainage system shall not be left open when rainfall is expected overnight. If left open under other circumstances, pipe ends shall be closed by a staked board or by an equivalent method.
- All catch basin openings shall be covered by a silt sack between the grate and the frame or protected from sediment by silt fence surrounding the catch basin grate.

5.3.6 Completion of Paved Areas

- During the placement of sub-base and pavement, the entrances to the stormwater drainage systems shall be sealed if rain is expected. When these entrances are closed, consideration must be given to the direction of run-off and measures shall be undertaken minimize erosion and to provide for the collection of sediment.

- In some situations, it may be necessary to keep catch basins open.
- Appropriate arrangements shall be made downstream to remove all sediment deposition.

5.3.7 Stabilization of Surfaces

- Stabilization of surfaces includes the placement of pavement, rip rap, wood bark mulch and the establishment of vegetated surfaces.
- Upon the completion of construction, all surfaces shall be stabilized even though it is apparent that future construction efforts will cause their disturbance.
- Vegetated cover shall be established during the proper growing season and shall be enhanced by soil adjustment for proper pH, nutrients and moisture content.
- Surfaces that are disturbed by erosion processes or vandalism shall be stabilized as soon as possible.
- Areas where construction activities have permanently or temporarily ceased shall be stabilized within 7 days from the date of last construction activity, except when construction activity will resume within 7 days (e.g., the total time period that construction activity is temporarily ceased is less than 7 days).
- Hydro-mulching of grass surfaces is recommended, especially if seeding of the surfaces is required outside the normal growing season.
- Hay mulch is an effective method of temporarily stabilizing surfaces, but only if it is properly secured by branches, weighted snow fences or weighted chicken wire.

6.0 Spill Control & Reporting

6.1 General

The CGP does not authorize the discharge of hazardous substances or oil resulting from an on-site spill. The discharge of hazardous substances or oil in stormwater discharged from the project site must be prevented or minimized in accordance with this SWPPP.

Stored substances such as herbicides, fertilizers, deicing chemicals, soil stabilizers/binders, lubricants, and fuels have the potential to spill during storage, transport, or everyday use. Fuel or other types of spills from machinery are also possible during construction. Material Safety Data Sheets (MSDS) for all potential contaminants and hazardous materials are to be kept on site as a reference should response be needed.

6.2 Spill Prevention

All hazardous materials shall be stored as described in Section 5.2.5 – Material Storage.

Spill clean-up kits will be maintained at strategic locations on the Project site. Spill containment and clean-up kits typically include oil absorbent materials (loose sorbents, pads, pillow, wipers, and/or booms), gloves, disposal bags, and a broom or shovel. Spill kits will be organized and stored in suitable, well-marked and closed containers.

6.3 Spill Control

All spills will be cleaned up immediately after discovery. The spill area will be kept well ventilated and personnel will wear appropriate protective clothing to prevent injury from contact with any hazardous substances. Contaminated materials must be disposed of in accordance with the manufacturer's recommendations and local, state, and federal requirements.

The SWPPP must be modified within 7 calendar days of knowledge of the release with information including a description of the release, the circumstances leading to the release, and the date of the release. The SWPPP must identify measures to prevent the recurrence of such releases.

6.4 Spill Reporting & Emergency Contacts

Where a release containing hazardous substance or oil in an amount equal to or in excess of a reportable quantity established under either 40 CFR Part 110, 40 CFR Part 117, or 40 CFR Part 302, occurs during a 24-hour period, notice must be provided to the National Response Center (NRC) as soon as site staff have knowledge of the discharge.

Under the hazardous waste program, the Massachusetts Department of Environmental Protection (MassDEP) requires notification of spills or releases for hazardous materials. Spills must be reported to MassDEP if they exceed specific thresholds.

The Contractor/Operator will notify the NRC, MassDEP, the Onset Fire Department and SWPPP monitor immediately at the telephone numbers provided below if the spill results in a discharge of any quantity of oil into any surface water including: streams; lakes; ponds; and sanitary or storm sewers.

Spill reporting requirements are summarized in the table below:

Stormwater Pollution Prevention Plan (SWPPP)
Woodland Cove
Wareham, Massachusetts

| Type of Spill | Who to Call | Phone No. | 2-Hr | Immediate |
|---|--|---|------|--------------------------|
| Oil spills greater than 10 gallons to land and oil spills that cause a sheen on waters of the state and/or U.S. | Mass DEP, Fire Department, Conservation Commission | DEP: (888) 304-1133 FD: (781) 767-6401 CC: (781) 767-9061 | X | |
| Oil spills that cause a film or sheen on waters of the U.S. | National Response Center | (800) 424-8802 | | X (Within 15 Minutes) |
| Spills of hazardous substances equal to or greater than the federal Reportable Quantity (RQ) | National Response Center | (800) 424-8802 | | X (Within 15 Minutes) |
| Spills of hazardous substances equal to or greater than the federal or state RQ, whichever is more stringent | MassDEP | (888) 304-1133 | X | |

If a spill occurs, the SWPPP must be modified within 7 calendar days of knowledge of the release. The following information must be provided:

- Date of the release
- Description of the release
- Circumstances leading to the release
- The SWPPP, including the Project Plans, must identify measures to prevent the reoccurrence of such releases.

7.0 Inspections and Corrective Action

7.1 General

Maintenance of best management practices (BMP's) for proper stormwater management at facilities is an on-going process during. The Owner/Operator's appointed representative will be responsible for performing regular inspections of erosion controls and ordering repairs as necessary. The inspections will observe all sources of stormwater or non-stormwater discharge as identified in the SWPPP, as well as the status of the receiving waters. The inspector should also be concerned with the condition of all implemented BMP's and how well they are controlling or filtering run-off. The inspector will recommend whether corrective actions are required to established BMP's or whether additional BMP's are necessary to prevent stormwater contamination based on field conditions.

Status of slopes, stockpiles, or other disturbed surfaces during construction should also be noted, including whether an area is experiencing erosion or reaching stabilization. The inspector is responsible not only for the inspection of the condition of the construction site, but all material storage yards as well. Storage yards should be checked for leakage, unsafe storage, and for the presence of adequate spill kit materials. Inspectors must be aware of practices on site that may lead to additional pollutants in discharges, such as locating dumpsters, stockpiles, or refueling equipment near direct flow of stormwater.

Build-up of sediment must be cleared away and old materials replaced so that the controls are working to capacity. Silt must not be allowed to accumulate more than halfway up the height of the straw wattles.

If a portion of the site is permanently stabilized, inspections can cease in that area as long as the condition has been documented by amending the SWPPP.

7.2 Inspection Frequency

Inspections will be performed by a Qualified Person as defined by the CGP at least once every seven (7) calendar days and within 24-hours of the occurrence of a storm event that produces 0.25" or more of rain within a 24-hour period, or within 24 hours of a snowmelt discharge from a storm event that produces 3.25" or more of snow within a 24-hour period. The inspections will be documented on the inspection report form in **Appendix H**, known as the SWPPP Report. Completed SWPPP Reports will be distributed to the Owner/Operator and Contractor/Operator and shall be filed in the SWPPP to be kept on record for the entire construction period.

Note: Inspections are only required during the project's normal working hours.

7.3 Inspection Reporting

Dakota Partners will be performing the weekly SWPPP Inspections and subsequent SWPPP Reports. Each SWPPP Report will summarize the scope of the inspection, name and qualifications of personnel making the inspection, and major observations relating to the implementation of the SWPPP including compliance and non-compliance items. Completed inspection reports will be placed in **Appendix H** and will remain with this SWPPP.

Note: All personnel conducting inspections must be considered a "qualified person." CGP Part 4.1.1 clarifies that a "qualified person" is a person knowledgeable in the principles and practices of erosion and sediment controls and pollution prevention, who possesses the skills to assess conditions at the construction site that could impact stormwater quality, and the skills to assess the effectiveness of any stormwater controls selected and installed to meet the requirements of this permit.

7.4 Corrective Actions

Corrective actions are defined by EPA as actions taken to

*Stormwater Pollution Prevention Plan (SWPPP)
Woodland Cove
Wareham, Massachusetts*

- repair, modify, or replace any stormwater control used at the site;
- clean up or properly dispose of spills, releases, or other deposits; or
- remedy a permit violation.

In all circumstances, operators and/or subcontractors must immediately take all reasonable steps to minimize or prevent the discharge of pollutants until a permanent solution is installed and made operational, including clean up any contaminated surfaces so that the material will not discharge in subsequent storm events. Corrective actions, such as installation of a new or modified control or completion of a repair, shall be installed and made operational by no later than 7 calendar days from the time of discovery. If it is infeasible to complete the installation or repair within 7 calendar days, the reasons why it is infeasible shall be documented in the SWPPP document on site along with a schedule for installing and making operational the stormwater control(s) as soon as practicable after the 7-day timeframe. If a routine activity must be performed repeatedly (e.g. 3 or more times), the activity then becomes a corrective action. Corrective Action Forms can be found in **Appendix I**.

If it becomes apparent that stormwater controls that were installed and maintained are not effective enough for discharge to meet applicable water quality standards or applicable requirements of Part 3.1 of the CGP, the EPA Regional Office shall be notified by the end of the next work day. Notification shall be submitted through the EPA's electronic NOI system (or "eNOI") at www.epa.gov/npdes/cgpenoi. In all other situations, a corrective action report shall be maintained in the SWPPP document on site and do not need to be provided to EPA, except upon request.

Corrective action reports shall be completed within 24 hours of discovery including the following information:

- which condition was identified at the site;
- the nature of the conditions identified; and
- the date and time of the condition identified and how it was identified.

Within 7 calendar days of discovery, a corrective action report shall be completed including the following additional information:

- any follow-up actions taken to review the design, installation and maintenance of stormwater controls, including the dates such actions occurred;
- a summary of stormwater control modifications taken or to be taken, including a schedule of activities necessary to implement changes, and the date the modifications are completed or expected to be completed; and
- notice of whether SWPPP modifications are required as a result of the condition identified or corrective action.

All corrective action reports shall be retained for at least 3 years from the date that the permit coverage expires or is terminated.

7.4.1 Personnel Responsible for Corrective Actions

Contractor/Operator: Dakota Partners

Name: Alex Beaton

Telephone Number: (781) 786-1200

Email: abeaton@dakotapartners.net

8.0 Amendment Requirements

Amendments to the SWPPP will be logged in **Appendix K**.

Regular inspections must be made to determine the effectiveness of this SWPPP. It should be modified as needed to prevent pollutants from discharging from the site. This SWPPP must be amended as necessary during the course of construction in order to keep it current with the pollution control measures utilized at the site.

Amending the SWPPP does not mean that it has to be reprinted. It is acceptable to handwrite revisions, add addenda, sketches, new sections, and/or revised drawings. This SWPPP is intended to be a working document that is utilized regularly on the construction site and provides guidance to the Contractor/Operator. It should be amended whenever the following occurs:

- Change in the design, construction, operation, or maintenance that differs from the originally proposed plan and affects the discharge of pollutants into stormwater.
- Significant modifications to the pollution prevention system.
- Change of Contractors performing site work.
- Inspections often identify areas not included in the original SWPPP, which will require the SWPPP to be amended. These updates should be made within seven (7) days of being signaled by the inspection.

9.0 SWPPP Training

Employees and Contractors will have copies of the SWPPP and will become familiar with the requirements of the SWPPP and the CGP. The Owner/Operator and Contractor/Operator will work with the SWPPP Qualified Personnel in order for them to become familiar with the SWPPP and CGP.

The Owner/Operator and Contractor/Operator will receive training prior to the commencement of work and training documentation will be provided in **Appendix G**. All subcontractors performing major grading or earth disturbing activities are required to be familiar with and comply with the requirements of the SWPPP and the CGP, but formal documentation of their training is not required.

The following personnel, at a minimum, must receive training, and therefore should be listed individually in the table below:

- Personnel who are responsible for the design, installation, maintenance, and/or repair of stormwater controls (including pollution prevention measures);
- Personnel responsible for the application and storage of treatment chemicals (if applicable);
- Personnel who are responsible for conducting inspections as required in Part 4.1.1; and
- Personnel who are responsible for taking corrective actions as required in Part 5.

The CGP requires that the required personnel must be trained to understand the following if related to the scope of their job duties:

- The location of all stormwater controls on the site required by this permit, and how they are to be maintained;
- The proper procedures to follow with respect to the permit's pollution prevention requirements; and
- When and how to conduct inspections, record applicable findings, and take corrective actions.

10.0 Certification

For a corporation, NOIs and applications must be signed by a responsible corporate officer, as defined by the CGP as a president, secretary, treasurer, or vice-president of the corporation in charge of a principal business function, or any other person who performs similar policy- or decision-making functions for the corporation.

The SWPPP, including changes to the SWPPP, inspection reports, and any other compliance documentation required under the CGP must be signed by a corporate officer or by a duly authorized representative. A person can be appointed a duly authorized representative if a corporate officer makes the authorization in writing by signing and dating the Delegation of Authority Form in **Appendix D**.

Any person signing documents in accordance with the above must also sign the Operator Certification Form found in **Appendix E**.

11.0 Compliance with Federal, State and Local Regulations

11.1 Endangered Species

This project was reviewed for federally-listed or proposed threatened or endangered species presence per instructions provided on the U.S. Fish and Wildlife Service's New England Field Office website (<http://www.fws.gov/newengland>). The results of the online consultation indicate that the Northern Long-eared Bat (*Myotis septentrionalis*) is a federally-listed threatened species, under the jurisdiction of the U.S. Fish and Wildlife Service, and may potentially be impacted by the proposed project.

The proposed activities were analyzed by the U.S. Fish and Wildlife Service, for consistency with the Programmatic Biological Opinion on Final 4(d) Rule for the Northern Long-eared Bat. The results of this analysis indicate that the proposed activities may affect the Northern Long-eared Bat; however, any take that may occur as a result of the Action is not prohibited under the ESA Section 4(d) rule adopted for this species at CFR §17.40(o). Corroborating correspondence from the U.S. Fish and Wildlife Service is included in **Appendix N**.

11.2 Historic Places

A review of the National Register of Historic Places database (<https://www.nps.gov/subjects/nationalregister/database-research.htm>) was conducted and there are no historic properties that will be affected by the construction.

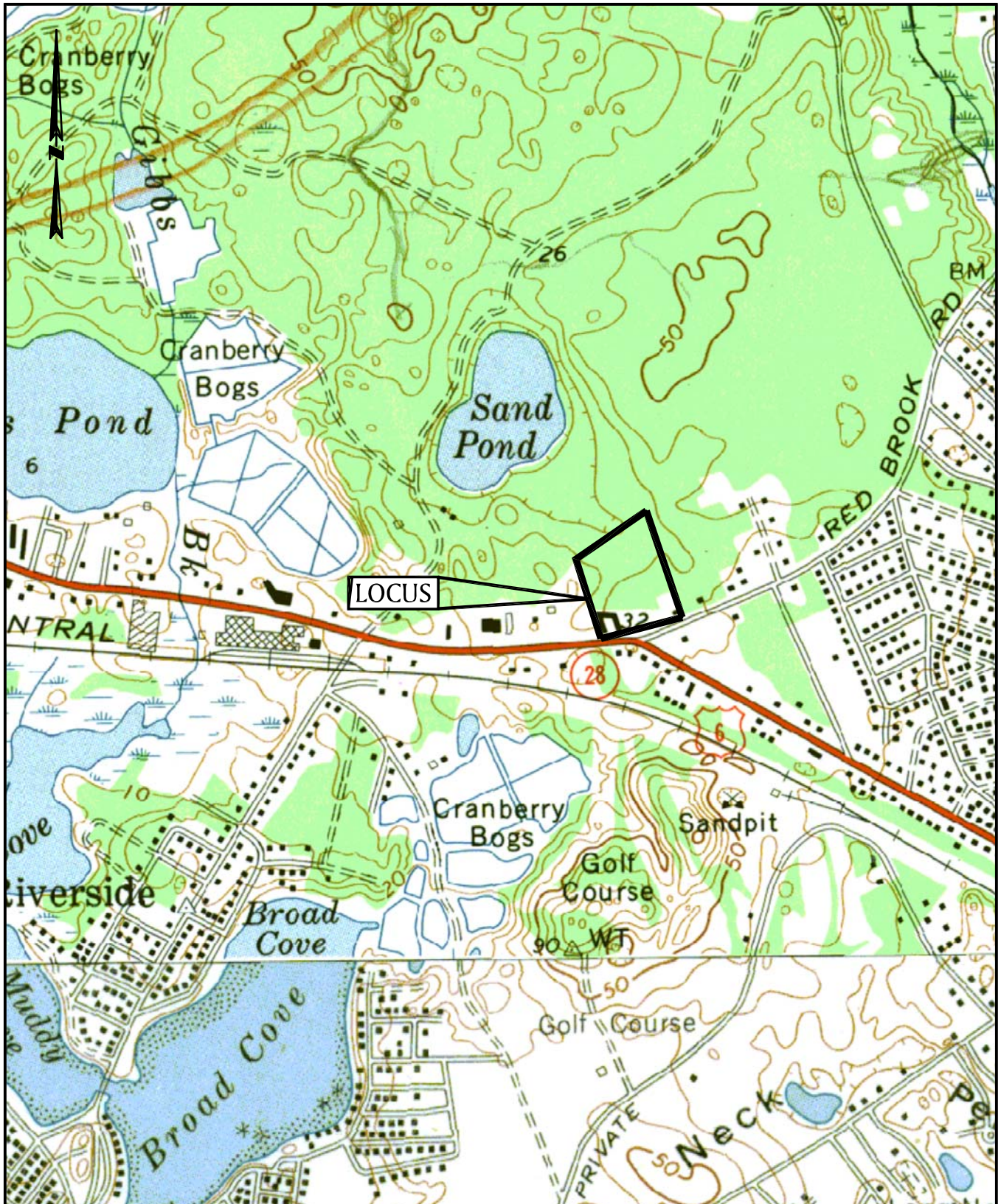
11.3 Other Permits and Regulations

The project will comply with other state or local planning or building regulations and permit requirements as they pertain to erosion and sedimentation control. It is the Contractor/Operator's responsibility to determine which other permits and regulations require compliance and to ensure that the project is designed and constructed in strict conformance with said permits and regulations.

Stormwater Pollution Prevention Plan (SWPPP)
Woodland Cove
Wareham, Massachusetts

APPENDIX A

SITE MAPS



PREPARED FOR:
 DAKOTA PARTNERS
 WALTHAM, MA
 02451

USGS LOCUS MAP
 WOODLAND COVE
 3104 CRANBERRY HIGHWAY
 WAREHAM, MA

BSC GROUP
 803 Summer Street
 Boston, Massachusetts
 02127
 617 896 4300

Job No.: 8-3669.00 Date: 8/17/2017
 Scale: 1"=1,000' Revised: _____
 Dwg. No.: _____ Figure: 1 OF 1

GENERAL NOTES:

1. THE TOPOGRAPHY AND DETAIL SHOWN HEREON ARE FROM ACTUAL ON-THE-GROUND SURVEY PERFORMED BY BSC GROUP, INC. DURING 2007 AND BETWEEN MARCH 25 AND 29, 2017.
2. ALL UNDERGROUND UTILITIES SHOWN WERE COMPILED ACCORDING TO AVAILABLE RECORD PLANS AND ARE APPROXIMATE ONLY. SEE CHAPTER 370 ACTS OF 1963, MASSACHUSETTS GENERAL LAWS. THE UNDERGROUND UTILITIES SHOWN HEREON WERE NOT INDEPENDENTLY VERIFIED BY THE OWNER OR ITS REPRESENTATIVE. WE ASSUME NO RESPONSIBILITY FOR DAMAGES INCURRED AS A RESULT OF UTILITIES OMITTED OR INACCURATELY SHOWN. THE CONTRACTOR SHALL BE RESPONSIBLE FOR PROPERLY LOCATING AND COORDINATING ANY ON-SITE ACTIVITY WITH DIG-SAFE AND THE APPROPRIATE UTILITY COMPANY AND MAINTAINING EXISTING UTILITY SYSTEM SERVICE. DIG-SAFE SHALL BE NOTIFIED PER THE COMMONWEALTH OF MASSACHUSETTS STATUTE CHAPTER 82, SECTION 40, AT 1-888-344-7233. NO GUARANTEE IS IMPLIED OR INTENDED AS TO THE ACCURACY, LOCATION OR THAT ALL UTILITIES AND/OR SUBSURFACE STRUCTURES ARE SHOWN. THE CONTRACTOR SHALL VERIFY SIZE, LOCATION, AND INVERTS OF UTILITIES AND STRUCTURES AS REQUIRED PRIOR TO THE START OF CONSTRUCTION.
3. CONTRACTOR SHALL NOTIFY 'DIG SAFE' (888-DIG-SAFE) AND VERIFY UTILITY MARK-OUT WITH THE OWNER PRIOR TO THE INITIATION OF ANY SITE DISTURBANCE.
4. ALL WORK SHALL CONFORM TO THE REQUIREMENTS OF MASSACHUSETTS DEPARTMENT OF TRANSPORTATION STANDARD SPECIFICATIONS FOR HIGHWAYS AND BRIDGES, JULY 2020 OR LATEST EDITION, THE REQUIREMENTS OF THE TOWN OF WAREHAM, THE REQUIREMENTS OF THE ONSET FIRE DISTRICT WATER DEPARTMENT, ANY PRIVATE UTILITY COMPANY HAVING JURISDICTION, AND THESE CONTRACT DRAWINGS AND SPECIFICATIONS. NOTIFY ENGINEER IN WRITING OF ANY CONFLICTING REQUIREMENTS IMMEDIATELY UPON DISCOVERY OF CONFLICTS AND DO NOT CONTINUE ON AFFECTED WORK UNTIL RESOLUTION OF CONFLICT IS DETERMINED.
5. THE CONTRACTOR IS SOLELY RESPONSIBLE FOR VERIFICATION OF THE LOCATION AND NATURE OF ALL SUBSURFACE UTILITIES AT THE PROJECT WHICH MAY BE AFFECTED BY THE WORK. COORDINATE WITH RESPECTIVE UTILITY OWNERS AND PERFORM VERIFICATION OF TYPE, LOCATION AND INVERTS AS REQUIRED.
6. THE CONTRACTOR SHALL NOTIFY THE ENGINEER IN WRITING OF ANY AND ALL DISCREPANCIES BETWEEN EXISTING CONDITIONS AND THE CONTRACT DOCUMENTS BEFORE PROCEEDING WITH THAT PORTION OF THE WORK.
7. THE LOCATIONS OF EXISTING SITE FEATURES AS SHOWN HAVE BEEN OBTAINED FROM MAPS, SURVEYS, FIELD INSPECTIONS, AND OTHER AVAILABLE INFORMATION. THEY MUST BE CONSIDERED APPROXIMATE BOTH TO LOCATION, SIZE, AND AS-BUILT CONDITION AND ARE PROVIDED FOR INFORMATIONAL PURPOSES ONLY. THE CONTRACTOR IS SOLELY RESPONSIBLE FOR DETERMINING ACTUAL FIELD CONDITIONS.
8. ENGAGE A MASSACHUSETTS-LICENSED PROFESSIONAL LAND SURVEYOR TO PERFORM LAND-SURVEYING SERVICES REQUIRED, INCLUDING, BUT NOT LIMITED TO VERIFICATION AND LAYOUT OF PROPOSED IMPROVEMENTS, DIMENSIONS, AND ELEVATIONS. REPORT DISCREPANCIES TO THE ENGINEER.

SITE PREPARATION NOTES:

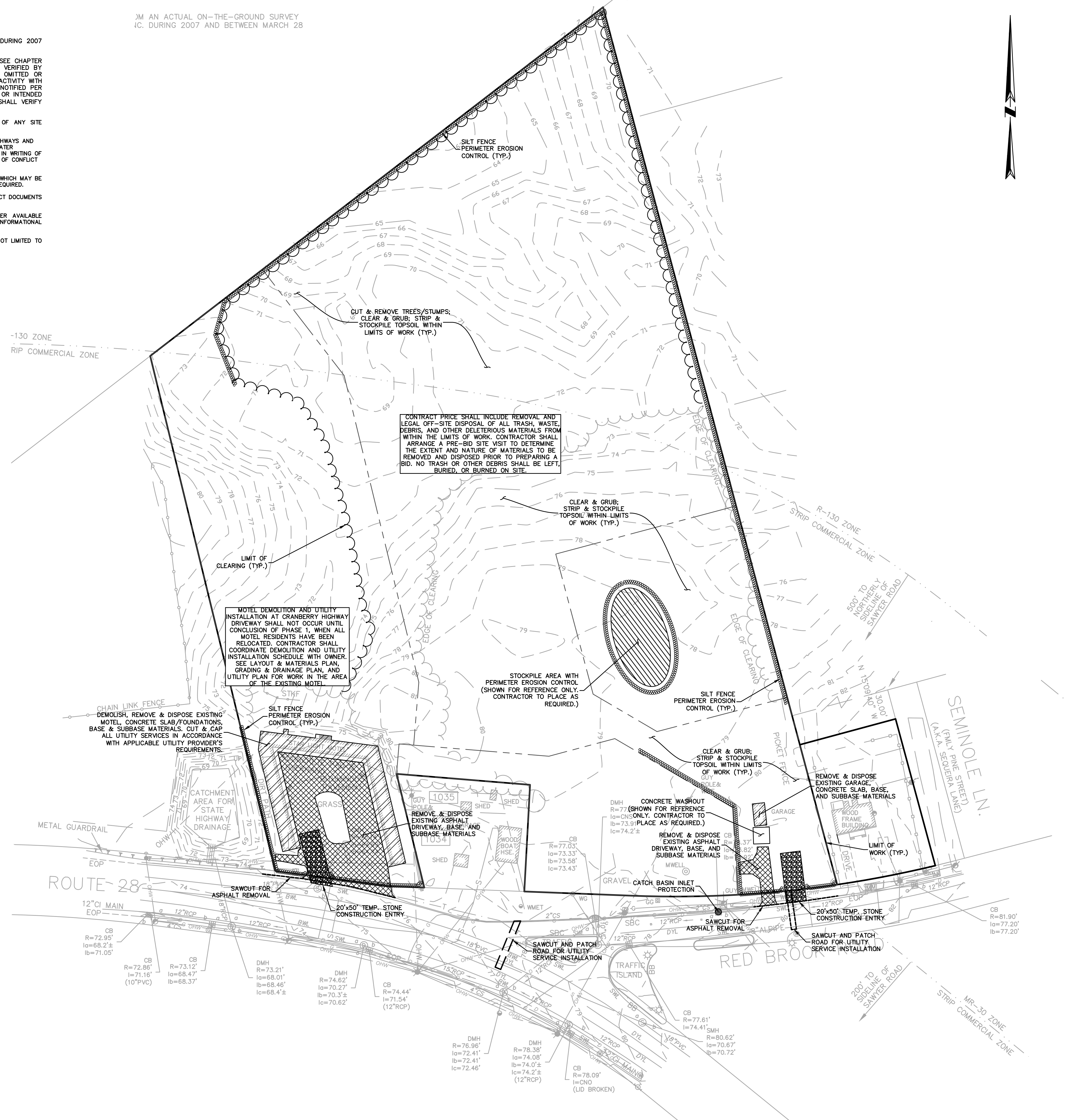
1. ALL EXISTING UTILITY STRUCTURES, CONDUITS, AND APPURTENANCES OF ANY KIND SHALL BE COMPLETELY REMOVED WITHIN THE LIMITS OF EXCAVATION FOR NEW BUILDINGS, UNLESS NOTED OTHERWISE ON THE DRAWINGS. OUTSIDE THE LIMITS OF EXCAVATION FOR NEW BUILDINGS, ALL ABANDONED AND TO-BE-ABANDONED UTILITIES GREATER THAN 8 INCHES IN DIAMETER SHALL BE SEALED BY FILLING WITH HIGH SLUMP CONCRETE (FLOWABLE FILL) AT THE LIMIT OF EXCAVATION. ALL UTILITY STRUCTURES TO BE REMOVED SHALL HAVE THE ASSOCIATED PIPES REMOVED TO A DISTANCE OF 15 FEET FROM THE STRUCTURE AND SEALED. ALL UTILITIES WITHIN PUBLIC WAYS SHALL BE ABANDONED OR REMOVED PER THE REQUIREMENTS OF THE APPLICABLE UTILITY COMPANY.
2. EROSION AND SEDIMENTATION CONTROLS TO BE APPROPRIATELY SIZED AND LOCATED/RELOCATED BY THE CONTRACTOR DURING EARTHWORK OPERATIONS.
3. CONTRACTOR SHALL WORK WITH LANDSCAPE ARCHITECT TO DETERMINE SCOPE OF TREE WORK.
4. ALL CONSTRUCTION FENCING AND WARNING SIGNS SHALL BE INSTALLED PRIOR TO ANY CONSTRUCTION. INSTALL CONSTRUCTION FENCING AT THE LIMIT OF WORK.
5. PRIOR TO THE TERMINATION, ABANDONMENT, OR REMOVAL OF ANY UTILITY, VERIFY THAT APPLICABLE NOTIFICATIONS HAVE BEEN MADE TO THE UTILITY OWNER/OPERATOR AND THAT THE UTILITY HAS BEEN PROPERLY TERMINATED, CAPPED, OR PLUGGED AS REQUIRED.
6. PROTECT ALL IMPROVEMENTS NOT INCLUDED IN THE SCOPE OF SITE DEMOLITION. ANY IMPROVEMENT WHICH IS DAMAGED SHALL BE REPAIRED OR REPLACED IN-KIND TO THE OWNER'S SATISFACTION AT NO ADDITIONAL COST.

EROSION AND SEDIMENT CONTROL NOTES:

1. THE PROJECT WORK SHALL COMPLY WITH THE 2017 NPDES CONSTRUCTION GENERAL PERMIT FOR MASSACHUSETTS (CGP). A STORMWATER POLLUTION PREVENTION PLAN (SWPPP) SHALL BE PROVIDED TO THE CONTRACTOR AND THE CONTRACTOR SHALL COMPLY WITH ALL REQUIREMENTS OF THE SWPPP. THE CONTRACTOR SHALL PROVIDE EVIDENCE THAT A NOTICE OF INTENT (NOI) HAS BEEN FILED FOR COVERAGE UNDER THE CGP AT LEAST 14 DAYS PRIOR TO THE START OF ANY EARTH DISTURBING ACTIVITIES. NO EARTH DISTURBING ACTIVITIES SHALL OCCUR UNTIL THE CONTRACTOR HAS OBTAINED COVERAGE UNDER THE CGP.
2. APPROPRIATE EROSION AND SEDIMENT CONTROL MEASURES SHALL BE INSTALLED PRIOR TO SOIL DISTURBANCE. MEASURES SHALL BE TAKEN TO CONTROL EROSION WITHIN THE PROJECT AREA. SEDIMENT IN RUNOFF WATER SHALL BE TRAPPED AND RETAINED WITHIN THE PROJECT AREA.
3. MINIMIZE TOTAL AREA OF DISTURBANCE AND PROTECT NATURAL FEATURES AND SOIL.
4. THE CONTRACTOR SHALL SEQUENCE ALL ACTIVITIES TO MINIMIZE SIMULTANEOUS AREAS OF DISTURBANCE. MASS CLEARING AND GRADING OF THE ENTIRE SITE SHALL BE AVOIDED.
5. MINIMIZE SOIL EROSION AND CONTROL SEDIMENTATION DURING CONSTRUCTION.
6. DIVERT UNCONTAMINATED WATER AROUND DISTURBED AREAS.
7. INSTALL AND MAINTAIN ALL EROSION AND SEDIMENT CONTROL MEASURES IN ACCORDANCE WITH THE MANUFACTURER'S SPECIFICATIONS AND GOOD ENGINEERING PRACTICES OR IN ACCORDANCE WITH THE 2017 EPA CONSTRUCTION GENERAL PERMIT FOR MASSACHUSETTS.
8. PROTECT AND MANAGE ON AND OFF-SITE MATERIAL STORAGE AREAS (OVERBURDEN AND STOCKPILES OF DIRT, BORROW AREAS, OR OTHER AREAS USED SOLELY BY THE PERMITTED PROJECT ARE CONSIDERED A PART OF THE PROJECT).
9. COMPLY WITH APPLICABLE FEDERAL, STATE AND LOCAL LAWS AND REGULATIONS INCLUDING WASTE DISPOSAL, SANITARY OR SEWER REGULATIONS, AND AIR QUALITY REQUIREMENTS, INCLUDING DUST CONTROL.
10. SEDIMENT SHALL BE REMOVED ONCE THE VOLUME REACHES HALF THE HEIGHT OF THE EROSION CONTROL DEVICE. SEDIMENT SHALL BE REMOVED PRIOR TO REACHING THE LOAD-BEARING CAPACITY OF THE SILT FENCE WHICH MAY BE LOWER THAN HALF THE HEIGHT.
11. BMPs TO BE USED FOR INFILTRATION AFTER CONSTRUCTION SHALL NOT BE USED AS BMPs DURING CONSTRUCTION UNLESS OTHERWISE APPROVED IN WRITING BY THE ENGINEER. MANY INFILTRATION TECHNOLOGIES ARE NOT DESIGNED TO HANDLE THE HIGH CONCENTRATIONS OF SEDIMENTS TYPICALLY FOUND IN CONSTRUCTION RUNOFF, AND THIS MUST BE PROTECTED FROM CONSTRUCTION RELATED SEDIMENT LOADINGS.
12. SOIL STOCKPILE SIDE SLOPES SHALL NOT BE GREATER THAN 2H:1V. ALL STOCKPILES SHALL BE SURROUNDED BY SEDIMENT CONTROLS.
13. A TRACKING PAD OR OTHER APPROVED STABILIZATION METHOD SHALL BE CONSTRUCTED AT ALL CONSTRUCTION ENTRANCE/EXIT POINTS OF THE SITE TO REDUCE THE AMOUNT OF SOIL CARRIED ONTO ROADWAYS AND OFF THE SITE.
14. PERMANENT SEEDING SHALL BE UNDERTAKEN IN THE SPRING FROM MARCH THROUGH MAY, AND IN LATE SUMMER AND EARLY FALL FROM AUGUST TO OCTOBER 15, DURING THE PEAK SUMMER MONTHS AND IN THE FALL AFTER OCTOBER 15, WHEN SEEDING IS FOUND TO BE IMPRACTICAL, APPROPRIATE TEMPORARY STABILIZATION SHALL BE APPLIED. PERMANENT SEEDING MAY BE UNDERTAKEN DURING THE SUMMER IF PLANS PROVIDE FOR ADEQUATE MULCHING AND WATERING.
15. TEMPORARY SEDIMENT TRAPPING DEVICES MUST NOT BE REMOVED UNTIL PERMANENT STABILIZATION IS ESTABLISHED IN ALL CONTRIBUTORY DRAINAGE AREAS.
16. ALL TEMPORARY EROSION AND SEDIMENT CONTROL MEASURES SHALL BE REMOVED AFTER FINAL SITE STABILIZATION. DISTURBED SOIL AREAS RESULTING FROM THE REMOVAL OF TEMPORARY MEASURES SHALL BE PERMANENTLY STABILIZED WITHIN 30 DAYS OF REMOVAL.
17. DUST SHALL BE CONTROLLED AT THE SITE IN ACCORDANCE WITH ALL APPLICABLE FEDERAL, STATE, AND LOCAL REGULATIONS.
18. ALL PREVIOUSLY DISTURBED LAND SHALL BE STABILIZED BY APPROVED METHODS AFTER 14 DAYS IF LEFT UNDISTURBED. THIS INCLUDES STOCKPILES, CONSTRUCTION ENTRANCES, GRADED AREAS AND OTHER CONSTRUCTION ACTIVITY RELATED CLEARING.
19. IF WORK IS HALTED OVER WINTER MONTHS THE CONTRACTOR SHALL BE RESPONSIBLE FOR STABILIZING THE AREA THROUGH GROUND COVER PRACTICES.

TEMPORARY E&S MEASURES MAINTENANCE SCHEDULE

| E&S MEASURE | MAINTENANCE MEASURES | SCHEDULE |
|-----------------------|--|----------|
| CONSTRUCTION ENTRANCE | SWEEP PAVED ROADWAY ADJACENT TO SITE ENTRANCE AS NECESSARY, REFRESH STONE AS NECESSARY, REMOVE SILTED GRAVEL | WEEKLY |
| MOISTEN EXPOSED SOILS | PERIODICALLY MOISTEN EXPOSED SOIL SURFACES WITH WATER ON UNPAVED TRAVELWAYS AND KEEP TRAVELWAYS DAMP | DAILY |



BSC GROUP
 803 Summer Street
 Boston, Massachusetts
 02127
 617.896.4300

Proposed Design for
Woodland Cove
Phase I
 Buildings E, F, & COMMUNITY BUILDING
 3102 Cranberry Highway
 Wareham, MA 02532



SHEET CONTENTS:
 SITE PREPARATION PLAN

PROJECT # 8-3669.00
 DATE: 9/22/2020
 REVISED DATE: 11/16/2021

SCALE: 1" = 50'
 0 25 50 100
C-100

CONSTRUCTION DOCUMENTS - REVISED SET FEBRUARY 16, 2021

This drawing is copy/printed. Unauthorized use is prohibited.

GENERAL NOTES:

1. THE TOPOGRAPHY AND DETAIL SHOWN HEREON ARE FROM ACTUAL ON-THE-GROUND SURVEY PERFORMED BY BSC GROUP, INC. DURING 2007 AND BETWEEN MARCH 25 AND 29, 2017. PHASE 1 WORK SHOWN HEREON ARE FROM PHASE 1 CONSTRUCTION PLANS PREPARED BY BSC GROUP IN 2021. CONTRACTOR SHALL FIELD VERIFY ALL INFORMATION SHOWN PRIOR TO SUBMITTING PRICING.
2. ALL UNDERGROUND UTILITIES SHOWN WERE COMPILED ACCORDING TO AVAILABLE RECORD PLANS AND ARE APPROXIMATE ONLY. SEE CHAPTER 370 ACTS OF 1963, MASSACHUSETTS GENERAL LAWS. THE UNDERGROUND UTILITIES SHOWN HEREON WERE NOT INDEPENDENTLY VERIFIED BY THE OWNER OR ITS REPRESENTATIVE. WE ASSUME NO RESPONSIBILITY FOR DAMAGES INCURRED AS A RESULT OF UTILITIES OMITTED OR INACCURATELY SHOWN. THE CONTRACTOR SHALL BE RESPONSIBLE FOR PROPERLY LOCATING AND COORDINATING ANY ON-SITE ACTIVITY WITH DIG-SAFE AND THE APPROPRIATE UTILITY COMPANY AND MAINTAINING EXISTING UTILITY SYSTEM SERVICE. DIG-SAFE SHALL BE NOTIFIED PER THE COMMONWEALTH OF MASSACHUSETTS STATUTE CHAPTER 89, SECTION 40, AT 1-888-344-7233. NO GUARANTEE IS IMPLIED OR INTENDED AS TO THE ACCURACY, LOCATION OR THAT ALL UTILITIES AND/OR SUBSURFACE STRUCTURES ARE SHOWN. THE CONTRACTOR SHALL VERIFY SIZE, LOCATION, AND INVERTS OF UTILITIES AND STRUCTURES AS REQUIRED PRIOR TO THE START OF CONSTRUCTION.
3. CONTRACTOR SHALL NOTIFY 'DIG SAFE' (888-DIG-SAFE) AND VERIFY UTILITY MARK-OUT WITH THE OWNER PRIOR TO THE INITIATION OF ANY SITE DISTURBANCE.
4. ALL WORK SHALL CONFORM TO THE REQUIREMENTS OF MASSACHUSETTS DEPARTMENT OF TRANSPORTATION STANDARD SPECIFICATIONS FOR HIGHWAYS AND BRIDGES, JULY 2020 OR LATEST EDITION, THE REQUIREMENTS OF THE TOWN OF WAREHAM, THE REQUIREMENTS OF THE ONSET FIRE DISTRICT WATER DEPARTMENT, ANY PRIVATE UTILITY COMPANY HAVING JURISDICTION, AND THESE CONTRACT DRAWINGS AND SPECIFICATIONS. NOTIFY ENGINEER IN WRITING OF ANY CONFLICTING REQUIREMENTS IMMEDIATELY UPON DISCOVERY OF CONFLICTS AND DO NOT CONTINUE ON AFFECTED WORK UNTIL RESOLUTION OF CONFLICT IS DETERMINED.
5. THE CONTRACTOR IS SOLELY RESPONSIBLE FOR VERIFICATION OF THE LOCATION AND NATURE OF ALL SUBSURFACE UTILITIES AT THE PROJECT WHICH MAY BE AFFECTED BY THE WORK. COORDINATE WITH RESPECTIVE UTILITY OWNERS AND PERFORM VERIFICATION OF TYPE, LOCATION AND INVERTS AS REQUIRED.
6. THE CONTRACTOR SHALL NOTIFY THE ENGINEER IN WRITING OF ANY AND ALL DISCREPANCIES BETWEEN EXISTING CONDITIONS AND THE CONTRACT DOCUMENTS BEFORE PROCEEDING WITH THAT PORTION OF THE WORK.
7. THE LOCATIONS OF EXISTING SITE FEATURES AS SHOWN HAVE BEEN OBTAINED FROM MAPS, SURVEYS, FIELD INSPECTIONS, AND OTHER AVAILABLE INFORMATION. THEY MUST BE CONSIDERED APPROXIMATE BOTH TO LOCATION, SIZE, AND AS-BUILT CONDITION AND ARE PROVIDED FOR INFORMATIONAL PURPOSES ONLY. THE CONTRACTOR IS SOLELY RESPONSIBLE FOR DETERMINING ACTUAL FIELD CONDITIONS.
8. ENGAGE A MASSACHUSETTS-LICENSED PROFESSIONAL LAND SURVEYOR TO PERFORM LAND-SURVEYING SERVICES REQUIRED, INCLUDING, BUT NOT LIMITED TO VERIFICATION AND LAYOUT OF PROPOSED IMPROVEMENTS, DIMENSIONS, AND ELEVATIONS. REPORT DISCREPANCIES TO THE ENGINEER.

SITE PREPARATION NOTES:

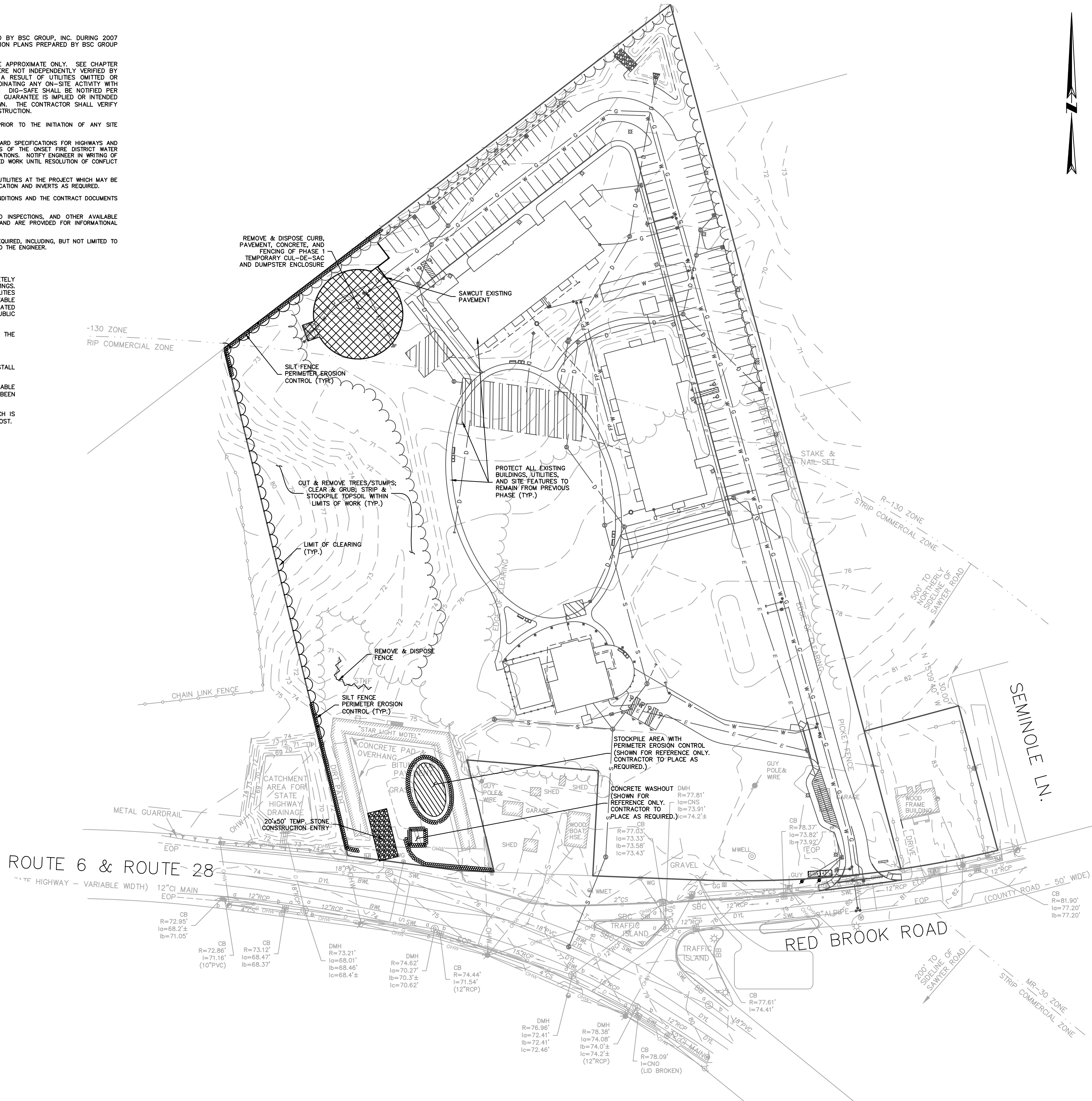
1. ALL EXISTING UTILITY STRUCTURES, CONDUITS, AND APPURTENANCES OF ANY KIND SHALL BE COMPLETELY REMOVED WITHIN THE LIMITS OF EXCAVATION FOR NEW BUILDINGS, UNLESS NOTED OTHERWISE ON THE DRAWINGS. OUTSIDE THE LIMITS OF EXCAVATION FOR NEW BUILDINGS, ALL ABANDONED AND TO-BE-ABANDONED UTILITIES GREATER THAN 8 INCHES IN DIAMETER SHALL BE SEALED BY FILLING WITH HIGH SLUMP CONCRETE (FLOWABLE FILL) AT THE LIMIT OF EXCAVATION. ALL UTILITY STRUCTURES TO BE REMOVED SHALL HAVE THE ASSOCIATED PIPES REMOVED TO A DISTANCE OF 15 FEET FROM THE STRUCTURE AND SEALED. ALL UTILITIES WITHIN PUBLIC WAYS SHALL BE ABANDONED OR REMOVED PER THE REQUIREMENTS OF THE APPLICABLE UTILITY COMPANY.
2. EROSION AND SEDIMENTATION CONTROLS TO BE APPROPRIATELY SIZED AND LOCATED/RELOCATED BY THE CONTRACTOR DURING EARTHWORK OPERATIONS.
3. CONTRACTOR SHALL WORK WITH LANDSCAPE ARCHITECT TO DETERMINE SCOPE OF TREE WORK.
4. ALL CONSTRUCTION FENCING AND WARNING SIGNS SHALL BE INSTALLED PRIOR TO ANY CONSTRUCTION. INSTALL CONSTRUCTION FENCING AT THE LIMIT OF WORK.
5. PRIOR TO THE TERMINATION, ABANDONMENT, OR REMOVAL OF ANY UTILITY, VERIFY THAT APPLICABLE NOTIFICATIONS HAVE BEEN MADE TO THE UTILITY OWNER/OPERATOR AND THAT THE UTILITY HAS BEEN PROPERLY TERMINATED, CAPPED, OR PLUGGED AS REQUIRED.
6. PROTECT ALL IMPROVEMENTS NOT INCLUDED IN THE SCOPE OF SITE DEMOLITION. ANY IMPROVEMENT WHICH IS DAMAGED SHALL BE REPAIRED OR REPLACED IN-KIND TO THE OWNER'S SATISFACTION AT NO ADDITIONAL COST.

EROSION AND SEDIMENT CONTROL NOTES:

1. THE PROJECT WORK SHALL COMPLY WITH THE 2017 NPDES CONSTRUCTION GENERAL PERMIT FOR MASSACHUSETTS (CGP). A STORMWATER POLLUTION PREVENTION PLAN (SWPPP) SHALL BE PROVIDED TO THE CONTRACTOR AND THE CONTRACTOR SHALL COMPLY WITH ALL REQUIREMENTS OF THE SWPPP. THE CONTRACTOR SHALL PROVIDE EVIDENCE THAT A NOTICE OF INTENT (NOI) HAS BEEN FILED FOR COVERAGE UNDER THE CGP AT LEAST 14 DAYS PRIOR TO THE START OF ANY EARTH DISTURBING ACTIVITIES. NO EARTH DISTURBING ACTIVITIES SHALL OCCUR UNTIL THE CONTRACTOR HAS OBTAINED COVERAGE UNDER THE CGP.
2. APPROPRIATE EROSION AND SEDIMENT CONTROL MEASURES SHALL BE INSTALLED PRIOR TO SOIL DISTURBANCE. MEASURES SHALL BE TAKEN TO CONTROL EROSION WITHIN THE PROJECT AREA. SEDIMENT IN RUNOFF WATER SHALL BE TRAPPED AND RETAINED WITHIN THE PROJECT AREA.
3. MINIMIZE TOTAL AREA OF DISTURBANCE AND PROTECT NATURAL FEATURES AND SOIL.
4. THE CONTRACTOR SHALL SEQUENCE ALL ACTIVITIES TO MINIMIZE SIMULTANEOUS AREAS OF DISTURBANCE. MASS CLEARING AND GRADING OF THE ENTIRE SITE SHALL BE AVOIDED.
5. MINIMIZE SOIL EROSION AND CONTROL SEDIMENTATION DURING CONSTRUCTION.
6. DIVERT UNCONTAMINATED WATER AROUND DISTURBED AREAS.
7. INSTALL AND MAINTAIN ALL EROSION AND SEDIMENT CONTROL MEASURES IN ACCORDANCE WITH THE MANUFACTURER'S SPECIFICATIONS AND GOOD ENGINEERING PRACTICES OR IN ACCORDANCE WITH THE 2017 EPA CONSTRUCTION GENERAL PERMIT FOR MASSACHUSETTS.
8. PROTECT AND MANAGE ON AND OFF-SITE MATERIAL STORAGE AREAS (OVERBURDEN AND STOCKPILES OF DIRT, BORROW AREAS, OR OTHER AREAS USED SOLELY BY THE PERMITTED PROJECT ARE CONSIDERED A PART OF THE PROJECT).
9. COMPLY WITH APPLICABLE FEDERAL, STATE AND LOCAL LAWS AND REGULATIONS INCLUDING WASTE DISPOSAL, SANITARY OR SEWER REGULATIONS, AND AIR QUALITY REQUIREMENTS, INCLUDING DUST CONTROL.
10. SEDIMENT SHALL BE REMOVED ONCE THE VOLUME REACHES HALF THE HEIGHT OF THE EROSION CONTROL DEVICE. SEDIMENT SHALL BE REMOVED PRIOR TO REACHING THE LOAD-BEARING CAPACITY OF THE SILT FENCE WHICH MAY BE LOWER THAN HALF THE HEIGHT.
11. BMPs TO BE USED FOR INFILTRATION AFTER CONSTRUCTION SHALL NOT BE USED AS BMPs DURING CONSTRUCTION UNLESS OTHERWISE APPROVED IN WRITING BY THE ENGINEER. MANY INFILTRATION TECHNOLOGIES ARE NOT DESIGNED TO HANDLE THE HIGH CONCENTRATIONS OF SEDIMENTS TYPICALLY FOUND IN CONSTRUCTION RUNOFF, AND THIS MUST BE PROTECTED FROM CONSTRUCTION RELATED SEDIMENT LOADINGS.
12. SOIL STOCKPILE SIDE SLOPES SHALL NOT BE GREATER THAN 2H:1V. ALL STOCKPILES SHALL BE SURROUNDED BY SEDIMENT CONTROLS.
13. A TRACKING PAD OR OTHER APPROVED STABILIZATION METHOD SHALL BE CONSTRUCTED AT ALL CONSTRUCTION ENTRANCE/EXIT POINTS OF THE SITE TO REDUCE THE AMOUNT OF SOIL CARRIED ONTO ROADWAYS AND OFF THE SITE.
14. PERMANENT SEEDING SHALL BE UNDERTAKEN IN THE SPRING FROM MARCH THROUGH MAY, AND IN LATE SUMMER AND EARLY FALL FROM AUGUST TO OCTOBER 15, DURING THE PEAK SUMMER MONTHS AND IN THE FALL AFTER OCTOBER 15, WHEN SEEDING IS FOUND TO BE IMPRACTICAL, APPROPRIATE TEMPORARY STABILIZATION SHALL BE APPLIED. PERMANENT SEEDING MAY BE UNDERTAKEN DURING THE SUMMER IF PLANS PROVIDE FOR ADEQUATE MULCHING AND WATERING.
15. TEMPORARY SEDIMENT TRAPPING DEVICES MUST NOT BE REMOVED UNTIL PERMANENT STABILIZATION IS ESTABLISHED IN ALL CONTRIBUTORY DRAINAGE AREAS.
16. ALL TEMPORARY EROSION AND SEDIMENT CONTROL MEASURES SHALL BE REMOVED AFTER FINAL SITE STABILIZATION. DISTURBED SOIL AREAS RESULTING FROM THE REMOVAL OF TEMPORARY MEASURES SHALL BE PERMANENTLY STABILIZED WITHIN 30 DAYS OF REMOVAL.
17. DUST SHALL BE CONTROLLED AT THE SITE IN ACCORDANCE WITH ALL APPLICABLE FEDERAL, STATE, AND LOCAL REGULATIONS.
18. ALL PREVIOUSLY DISTURBED LAND SHALL BE STABILIZED BY APPROVED METHODS AFTER 14 DAYS IF LEFT UNDISTURBED. THIS INCLUDES STOCKPILES, CONSTRUCTION ENTRANCES, GRADED AREAS AND OTHER CONSTRUCTION ACTIVITY RELATED CLEARING.
19. IF WORK IS HALTED OVER WINTER MONTHS THE CONTRACTOR SHALL BE RESPONSIBLE FOR STABILIZING THE AREA THROUGH GROUND COVER PRACTICES.

TEMPORARY E&S MEASURES MAINTENANCE SCHEDULE

| E&S MEASURE | MAINTENANCE MEASURES | SCHEDULE |
|-----------------------|--|----------|
| CONSTRUCTION ENTRANCE | SWEEP PAVED ROADWAY ADJACENT TO SITE ENTRANCE AS NECESSARY, REFRESH STONE AS NECESSARY, REMOVE SILTED GRAVEL | WEEKLY |
| MOISTEN EXPOSED SOILS | PERIODICALLY MOISTEN EXPOSED SOIL SURFACES WITH WATER ON UNPAVED TRAVELWAYS AND KEEP TRAVELWAYS DAMP | DAILY |



This drawing is copyright/owned. Unauthorized use is prohibited.



SHEET CONTENTS:

SITE PREPARATION PLAN

PROJECT # 1420
DATE: 1/21/2021
REVISED DATE: 11/16/2021

SCALE: 1" = 50'
0 25 50 100

C-100

CONSTRUCTION DOCUMENTS - ISSUED FOR PERMIT

GENERAL NOTES:

1. THE TOPOGRAPHY AND DETAIL SHOWN HEREON ARE FROM ACTUAL ON-THE-GROUND SURVEY PERFORMED BY BSC GROUP, INC. DURING 2007 AND BETWEEN MARCH 25 AND 29, 2017. PHASE 1 AND 2 WORK SHOWN HEREON ARE FROM PHASE 1 AND PHASE 2 CONSTRUCTION PLANS PREPARED BY BSC GROUP IN 2021. CONTRACTOR SHALL FIELD VERIFY ALL INFORMATION SHOWN PRIOR TO SUBMITTING PRICING.
2. ALL UNDERGROUND UTILITIES SHOWN WERE COMPILED ACCORDING TO AVAILABLE RECORD PLANS AND ARE APPROXIMATE ONLY. SEE CHAPTER 370 ACTS OF 1963, MASSACHUSETTS GENERAL LAWS. THE UNDERGROUND UTILITIES SHOWN HEREON WERE NOT INDEPENDENTLY VERIFIED BY THE OWNER OR ITS REPRESENTATIVE. WE ASSUME NO RESPONSIBILITY FOR DAMAGES INCURRED AS A RESULT OF UTILITIES OMITTED OR INACCURATELY SHOWN. THE CONTRACTOR SHALL BE RESPONSIBLE FOR PROPERLY LOCATING AND COORDINATING ANY ON-SITE ACTIVITY WITH DIG-SAFE AND THE APPROPRIATE UTILITY COMPANY AND MAINTAINING EXISTING UTILITY SYSTEM SERVICE. DIG-SAFE SHALL BE NOTIFIED PER THE COMMONWEALTH OF MASSACHUSETTS STATUTE CHAPTER 89, SECTION 40, AT 1-888-344-7233. NO GUARANTEE IS IMPLIED OR INTENDED AS TO THE ACCURACY, LOCATION OR THAT ALL UTILITIES AND/OR SUBSURFACE STRUCTURES ARE SHOWN. THE CONTRACTOR SHALL VERIFY SIZE, LOCATION, AND INVERTS OF UTILITIES AND STRUCTURES AS REQUIRED PRIOR TO THE START OF CONSTRUCTION.
3. CONTRACTOR SHALL NOTIFY 'DIG SAFE' (888-DIG-SAFE) AND VERIFY UTILITY MARK-OUT WITH THE OWNER PRIOR TO THE INITIATION OF ANY SITE DISTURBANCE.
4. ALL WORK SHALL CONFORM TO THE REQUIREMENTS OF MASSACHUSETTS DEPARTMENT OF TRANSPORTATION STANDARD SPECIFICATIONS FOR HIGHWAYS AND BRIDGES, JULY 2020 OR LATEST EDITION, THE REQUIREMENTS OF THE TOWN OF WAREHAM, THE REQUIREMENTS OF THE ONSET FIRE DISTRICT WATER DEPARTMENT, ANY PRIVATE UTILITY COMPANY HAVING JURISDICTION, AND THESE CONTRACT DRAWINGS AND SPECIFICATIONS. NOTIFY ENGINEER IN WRITING OF ANY CONFLICTING REQUIREMENTS IMMEDIATELY UPON DISCOVERY OF CONFLICTS AND DO NOT CONTINUE ON AFFECTED WORK UNTIL RESOLUTION OF CONFLICT IS DETERMINED.
5. THE CONTRACTOR IS SOLELY RESPONSIBLE FOR VERIFICATION OF THE LOCATION AND NATURE OF ALL SUBSURFACE UTILITIES AT THE PROJECT WHICH MAY BE AFFECTED BY THE WORK. COORDINATE WITH RESPECTIVE UTILITY OWNERS AND PERFORM VERIFICATION OF TYPE, LOCATION AND INVERTS AS REQUIRED.
6. THE CONTRACTOR SHALL NOTIFY THE ENGINEER IN WRITING OF ANY AND ALL DISCREPANCIES BETWEEN EXISTING CONDITIONS AND THE CONTRACT DOCUMENTS BEFORE PROCEEDING WITH THAT PORTION OF THE WORK.
7. THE LOCATIONS OF EXISTING SITE FEATURES AS SHOWN HAVE BEEN OBTAINED FROM MAPS, SURVEYS, FIELD INSPECTIONS, AND OTHER AVAILABLE INFORMATION. THEY MUST BE CONSIDERED APPROXIMATE BOTH TO LOCATION, SIZE, AND AS-BUILT CONDITION AND ARE PROVIDED FOR INFORMATIONAL PURPOSES ONLY. THE CONTRACTOR IS SOLELY RESPONSIBLE FOR DETERMINING ACTUAL FIELD CONDITIONS.
8. ENGAGE A MASSACHUSETTS-LICENSED PROFESSIONAL LAND SURVEYOR TO PERFORM LAND-SURVEYING SERVICES REQUIRED, INCLUDING, BUT NOT LIMITED TO VERIFICATION AND LAYOUT OF PROPOSED IMPROVEMENTS, DIMENSIONS, AND ELEVATIONS. REPORT DISCREPANCIES TO THE ENGINEER.

SITE PREPARATION NOTES:

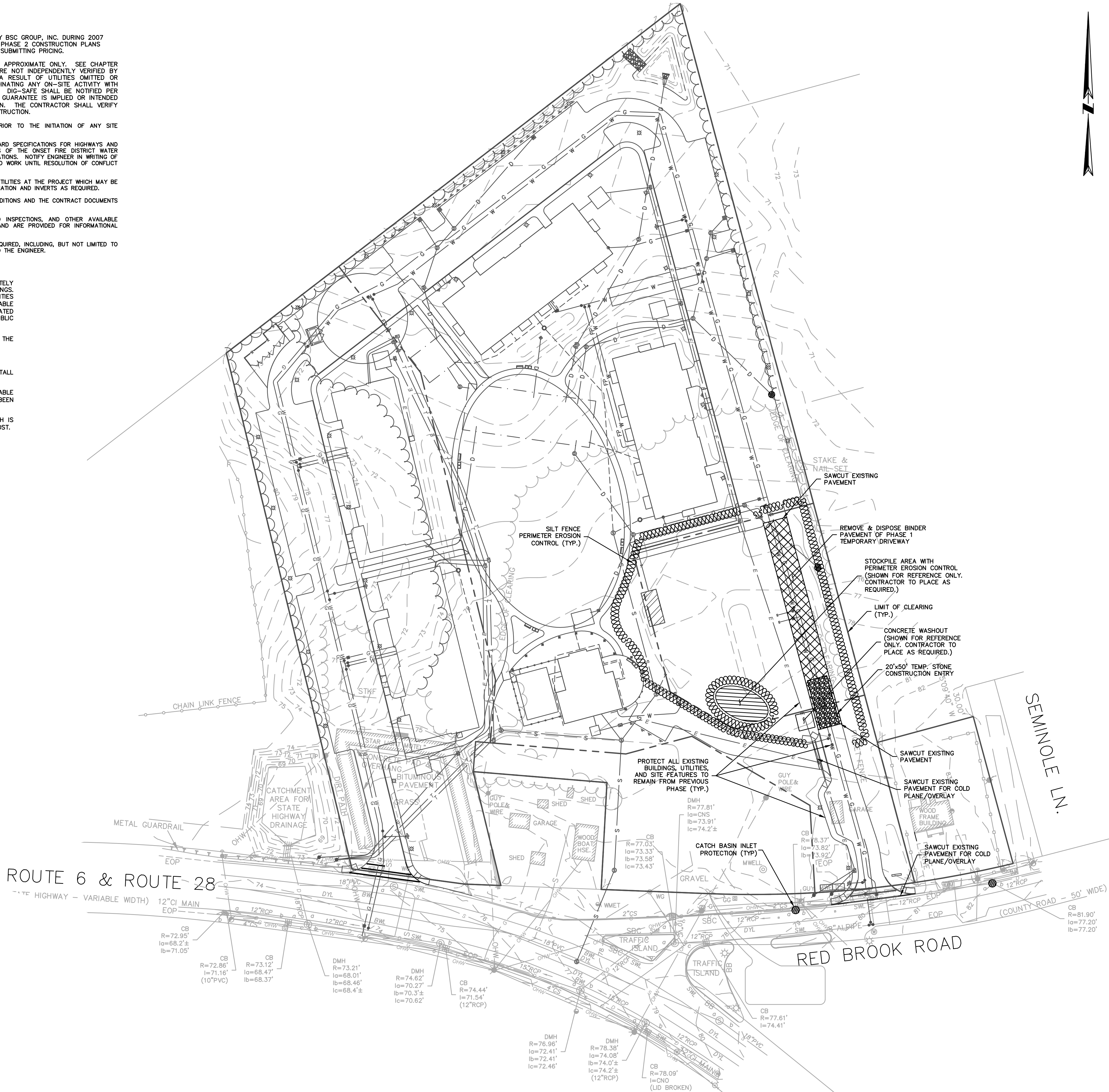
1. ALL EXISTING UTILITY STRUCTURES, CONDUITS, AND APPURTENANCES OF ANY KIND SHALL BE COMPLETELY REMOVED WITHIN THE LIMITS OF EXCAVATION FOR NEW BUILDINGS, UNLESS NOTED OTHERWISE ON THE DRAWINGS. OUTSIDE THE LIMITS OF EXCAVATION FOR NEW BUILDINGS, ALL ABANDONED AND TO-BE-ABANDONED UTILITIES GREATER THAN 8 INCHES IN DIAMETER SHALL BE SEALED BY FILLING WITH HIGH SLUMP CONCRETE (FLOWABLE FILL) AT THE LIMIT OF EXCAVATION. ALL UTILITY STRUCTURES TO BE REMOVED SHALL HAVE THE ASSOCIATED PIPES REMOVED TO A DISTANCE OF 15 FEET FROM THE STRUCTURE AND SEALED. ALL UTILITIES WITHIN PUBLIC WAYS SHALL BE ABANDONED OR REMOVED PER THE REQUIREMENTS OF THE APPLICABLE UTILITY COMPANY.
2. EROSION AND SEDIMENTATION CONTROLS TO BE APPROPRIATELY SIZED AND LOCATED/RELOCATED BY THE CONTRACTOR DURING EARTHWORK OPERATIONS.
3. CONTRACTOR SHALL WORK WITH LANDSCAPE ARCHITECT TO DETERMINE SCOPE OF TREE WORK.
4. ALL CONSTRUCTION FENCING AND WARNING SIGNS SHALL BE INSTALLED PRIOR TO ANY CONSTRUCTION. INSTALL CONSTRUCTION FENCING AT THE LIMIT OF WORK.
5. PRIOR TO THE TERMINATION, ABANDONMENT, OR REMOVAL OF ANY UTILITY, VERIFY THAT APPLICABLE NOTIFICATIONS HAVE BEEN MADE TO THE UTILITY OWNER/OPERATOR AND THAT THE UTILITY HAS BEEN PROPERLY TERMINATED, CAPPED, OR PLUGGED AS REQUIRED.
6. PROTECT ALL IMPROVEMENTS NOT INCLUDED IN THE SCOPE OF SITE DEMOLITION. ANY IMPROVEMENT WHICH IS DAMAGED SHALL BE REPAIRED OR REPLACED IN-KIND TO THE OWNER'S SATISFACTION AT NO ADDITIONAL COST.

EROSION AND SEDIMENT CONTROL NOTES:

1. THE PROJECT WORK SHALL COMPLY WITH THE 2017 NPDES CONSTRUCTION GENERAL PERMIT FOR MASSACHUSETTS (CGP). A STORMWATER POLLUTION PREVENTION PLAN (SWPPP) SHALL BE PROVIDED TO THE CONTRACTOR AND THE CONTRACTOR SHALL COMPLY WITH ALL REQUIREMENTS OF THE SWPPP. THE CONTRACTOR SHALL PROVIDE EVIDENCE THAT A NOTICE OF INTENT (NOI) HAS BEEN FILED FOR COVERAGE UNDER THE CGP AT LEAST 14 DAYS PRIOR TO THE START OF ANY EARTH DISTURBING ACTIVITIES. NO EARTH DISTURBING ACTIVITIES SHALL OCCUR UNTIL THE CONTRACTOR HAS OBTAINED COVERAGE UNDER THE CGP.
2. APPROPRIATE EROSION AND SEDIMENT CONTROL MEASURES SHALL BE INSTALLED PRIOR TO SOIL DISTURBANCE. MEASURES SHALL BE TAKEN TO CONTROL EROSION WITHIN THE PROJECT AREA. SEDIMENT IN RUNOFF WATER SHALL BE TRAPPED AND RETAINED WITHIN THE PROJECT AREA.
3. MINIMIZE TOTAL AREA OF DISTURBANCE AND PROTECT NATURAL FEATURES AND SOIL.
4. THE CONTRACTOR SHALL SEQUENCE ALL ACTIVITIES TO MINIMIZE SIMULTANEOUS AREAS OF DISTURBANCE. MASS CLEARING AND GRADING OF THE ENTIRE SITE SHALL BE AVOIDED.
5. MINIMIZE SOIL EROSION AND CONTROL SEDIMENTATION DURING CONSTRUCTION.
6. DIVERT UNCONTAMINATED WATER AROUND DISTURBED AREAS.
7. INSTALL AND MAINTAIN ALL EROSION AND SEDIMENT CONTROL MEASURES IN ACCORDANCE WITH THE MANUFACTURER'S SPECIFICATIONS AND GOOD ENGINEERING PRACTICES OR IN ACCORDANCE WITH THE 2017 EPA CONSTRUCTION GENERAL PERMIT FOR MASSACHUSETTS.
8. PROTECT AND MANAGE ON AND OFF-SITE MATERIAL STORAGE AREAS (OVERBURDEN AND STOCKPILES OF DIRT, BORROW AREAS, OR OTHER AREAS USED SOLELY BY THE PERMITTED PROJECT ARE CONSIDERED A PART OF THE PROJECT).
9. COMPLY WITH APPLICABLE FEDERAL, STATE AND LOCAL LAWS AND REGULATIONS INCLUDING WASTE DISPOSAL, SANITARY OR SEWER REGULATIONS, AND AIR QUALITY REQUIREMENTS, INCLUDING DUST CONTROL.
10. SEDIMENT SHALL BE REMOVED ONCE THE VOLUME REACHES HALF THE HEIGHT OF THE EROSION CONTROL DEVICE. SEDIMENT SHALL BE REMOVED PRIOR TO REACHING THE LOAD-BEARING CAPACITY OF THE SILT FENCE WHICH MAY BE LOWER THAN HALF THE HEIGHT.
11. BMPs TO BE USED FOR INFILTRATION AFTER CONSTRUCTION SHALL NOT BE USED AS BMPs DURING CONSTRUCTION UNLESS OTHERWISE APPROVED IN WRITING BY THE ENGINEER. MANY INFILTRATION TECHNOLOGIES ARE NOT DESIGNED TO HANDLE THE HIGH CONCENTRATIONS OF SEDIMENTS TYPICALLY FOUND IN CONSTRUCTION RUNOFF, AND THIS MUST BE PROTECTED FROM CONSTRUCTION RELATED SEDIMENT LOADINGS.
12. SOIL STOCKPILE SIDE SLOPES SHALL NOT BE GREATER THAN 2H:1V. ALL STOCKPILES SHALL BE SURROUNDED BY SEDIMENT CONTROLS.
13. A TRACKING PAD OR OTHER APPROVED STABILIZATION METHOD SHALL BE CONSTRUCTED AT ALL CONSTRUCTION ENTRANCE/EXIT POINTS OF THE SITE TO REDUCE THE AMOUNT OF SOIL CARRIED ONTO ROADWAYS AND OFF THE SITE.
14. PERMANENT SEEDING SHALL BE UNDERTAKEN IN THE SPRING FROM MARCH THROUGH MAY, AND IN LATE SUMMER AND EARLY FALL FROM AUGUST TO OCTOBER 15, DURING THE PEAK SUMMER MONTHS AND IN THE FALL AFTER OCTOBER 15, WHEN SEEDING IS FOUND TO BE IMPRACTICAL, APPROPRIATE TEMPORARY STABILIZATION SHALL BE APPLIED. PERMANENT SEEDING MAY BE UNDERTAKEN DURING THE SUMMER IF PLANS PROVIDE FOR ADEQUATE MULCHING AND WATERING.
15. TEMPORARY SEDIMENT TRAPPING DEVICES MUST NOT BE REMOVED UNTIL PERMANENT STABILIZATION IS ESTABLISHED IN ALL CONTRIBUTORY DRAINAGE AREAS.
16. ALL TEMPORARY EROSION AND SEDIMENT CONTROL MEASURES SHALL BE REMOVED AFTER FINAL SITE STABILIZATION. DISTURBED SOIL AREAS RESULTING FROM THE REMOVAL OF TEMPORARY MEASURES SHALL BE PERMANENTLY STABILIZED WITHIN 30 DAYS OF REMOVAL.
17. DUST SHALL BE CONTROLLED AT THE SITE IN ACCORDANCE WITH ALL APPLICABLE FEDERAL, STATE, AND LOCAL REGULATIONS.
18. ALL PREVIOUSLY DISTURBED LAND SHALL BE STABILIZED BY APPROVED METHODS AFTER 14 DAYS IF LEFT UNDISTURBED. THIS INCLUDES STOCKPILES, CONSTRUCTION ENTRANCES, GRADED AREAS AND OTHER CONSTRUCTION ACTIVITY RELATED CLEARING.
19. IF WORK IS HALTED OVER WINTER MONTHS THE CONTRACTOR SHALL BE RESPONSIBLE FOR STABILIZING THE AREA THROUGH GROUND COVER PRACTICES.

TEMPORARY E&S MEASURES MAINTENANCE SCHEDULE

| E&S MEASURE | MAINTENANCE MEASURES | SCHEDULE |
|-----------------------|--|----------|
| CONSTRUCTION ENTRANCE | SWEEP PAVED ROADWAY ADJACENT TO SITE ENTRANCE AS NECESSARY, REFRESH STONE AS NECESSARY, REMOVE SILTED GRAVEL | WEEKLY |
| MOISTEN EXPOSED SOILS | PERIODICALLY MOISTEN EXPOSED SOIL SURFACES WITH WATER ON UNPAVED TRAVELWAYS AND KEEP TRAVELWAYS DAMP | DAILY |



BSC GROUP
 803 Summer Street
 Boston, Massachusetts
 02127
 617 896 4300

Proposed Design for:
Woodland Cove
Phase 3
 3102 Cranberry Highway
 Wareham, MA 02532



SHEET CONTENTS:
 SITE PREPARATION PLAN

PROJECT # 8-3669.00
 DATE: 07/30/2021
 REVISED DATE:

SCALE: 1" = 50'
 0 25 50 100
C-100

100% Construction Documents - Issued for Permit

This drawing is copyrighted. Unauthorized use is prohibited.

APPENDIX B

COPY OF 2022 CONSTRUCTION GENERAL PERMIT (CGP)

**National Pollutant Discharge Elimination System (NPDES)
Construction General Permit (CGP) for Stormwater Discharges from
Construction Activities**

In compliance with the provisions of the Clean Water Act, 33 U.S.C. § 1251 et. seq., (hereafter CWA), as amended by the Water Quality Act of 1987, P.L. 100-4, "operators" of construction activities (defined in Appendix A) that meet the requirements of Part 1.1 of this National Pollutant Discharge Elimination System (NPDES) Construction General Permit (CGP), are authorized to discharge pollutants in accordance with the effluent limitations and conditions set forth herein. Permit coverage is required from the "commencement of construction activities" (see Appendix A) until one of the conditions for terminating CGP coverage has been met (see Part 8.2).

This permit becomes effective on 12:00 am, February 17, 2022.

This permit and the authorization to discharge expire at 11:59pm, February 16, 2027.

Signed and issued this 18 day of January 2022

DEBORAH SZARO Digitally signed by DEBORAH SZARO
Date: 2022.01.18 08:31:14 -05'00'

Deborah Szaro,
Acting Regional Administrator, EPA Region 1.

Signed and issued this 18 day of January 2022

JAVIER LAUREANO Digitally signed by JAVIER LAUREANO
Date: 2022.01.18 11:21:16 -05'00'

Javier Laureano,
Director, Water Division, EPA Region 2.

Signed and issued this 18 day of January 2022

CARMEN GUERRERO PEREZ Digitally signed by CARMEN GUERRERO PEREZ
Date: 2022.01.18 10:19:51 -04'00'

Carmen Guerrero-Perez,
Director, Caribbean Environmental Protection Division, EPA Region 2.

Signed and issued this 18 day of January 2022

CATHERINE LIBERTZ Digitally signed by CATHERINE LIBERTZ
Date: 2022.01.18 12:05:24 -05'00'

Catherine A. Libertz,
Director, Water Division, EPA Region 3.

Signed and issued this 18 day of January 2022

JEANEANNE GETTLE Digitally signed by JEANEANNE GETTLE
Date: 2022.01.18 13:09:48 -05'00'

Jeaneanne Gettle,
Director, Water Division, EPA Region 4.

Signed and issued this 18 day of January 2022

 Digitally signed by TERA FONG
Date: 2022.01.18 13:03:49 -06'00'

Tera Fong,
Director, Water Division, EPA Region 5.

Signed and issued this 18 day of January 2022

CHARLES MAGUIRE Digitally signed by CHARLES MAGUIRE
DN: cn=US, o=U.S. Government, ou=Environmental Protection Agency, cn=CHARLES MAGUIRE, o.9.2342.19200300.100.1.1#68001003650036
Date: 2022.01.18 14:06:55 -06'00'

Charles W. Maguire,
Director, Water Division, EPA Region 6.

Signed and issued this 18 day of January 2022

JEFFERY ROBICHAUD Digitally signed by JEFFERY ROBICHAUD
Date: 2022.01.18 14:41:37 -06'00'

Jeffery Robichaud,
Director, Water Division, EPA Region 7.

Signed and issued this 18 day of January 2022

DARCY OCONNOR Digitally signed by DARCY OCONNOR
Date: 2022.01.18 14:00:05 -07'00'

Darcy O'Connor,
Director, Water Division, EPA Region 8.

Signed and issued this 18 day of January 2022

TOMAS TORRES Digitally signed by TOMAS TORRES
Date: 2022.01.18 13:30:16 -08'00'

Tomás Torres,
Director, Water Division, EPA Region 9.

Signed and issued this 18 day of January 2022

DANIEL OPALSKI Digitally signed by DANIEL OPALSKI
Date: 2022.01.18 15:10:20 -08'00'

Daniel D. Opalski,
Director, Water Division, EPA Region 10.

CONTENTS

1 How to Obtain Coverage Under the Construction General Permit (CGP)..... 1

1.1 Eligibility Conditions 1

1.2 Types of Discharges Authorized 3

1.3 Prohibited Discharges..... 4

1.4 Submitting your Notice of Intent (NOI) 5

1.5 Requirement to Post a Notice of Your Permit Coverage..... 7

2 Technology-Based Effluent Limitations 8

2.1 General Stormwater Control Design, Installation, and Maintenance Requirements..... 8

2.2 Erosion and Sediment Control Requirements..... 10

2.3 Pollution Prevention Requirements 17

2.4 Construction Dewatering Requirements..... 22

3 Water Quality-Based Effluent Limitations..... 23

3.1 General Effluent Limitation to Meet Applicable Water Quality Standards 23

3.2 Water Quality-based Conditions for Sites Discharging to Sensitive Waters⁴⁴ 23

3.3 Water quality-based conditions For sites discharging To Sensitive Waters From Construction Dewatering activities 24

4 Site Inspection Requirements 28

4.1 Person(s) Responsible for Inspecting Site 28

4.2 Frequency of Inspections..... 28

4.3 Increase in Inspection Frequency for Certain Sites. 29

4.4 Reductions in Inspection Frequency 30

4.5 Areas that Must Be Inspected 31

4.6 Requirements for Inspections 32

4.7 Inspection Report..... 33

4.8 Inspections By EPA 34

5 Corrective Actions 34

5.1 Conditions Triggering Corrective Action..... 34

5.2 Corrective Action Deadlines 35

5.3 Corrective Action Required by EPA 36

5.4 Corrective Action Log 36

6 Stormwater Team Formation/ Staff Training Requirements 36

6.1 Stormwater Team..... 36

6.2 General Training Requirements For Stormwater Team Members 37

6.3 Training Requirements For Persons Conducting Inspections 37

6.4 Stormwater Team's Access To Permit Documents 38

7 Stormwater Pollution Prevention Plan (SWPPP) 38

7.1 General Requirements 38

7.2 SWPPP Contents..... 38

7.3 On-Site Availability of Your SWPPP 46

7.4 SWPPP Modifications 46

8 How to Terminate Coverage 47

8.1 Minimum Information Required in NOT 47

8.2 Conditions for Terminating CGP Coverage 47

8.3 How to Submit Your NOT..... 48

8.4 Deadline for Submitting the NOT 49

8.5 Effective Date of Termination of Coverage 49

9 Permit Conditions Applicable to Specific States, Indian Country Lands, or Territories..... 49

Appendix A: Definitions..... A-1

Appendix B: Permit Areas Eligible for Coverage and EPA Regional Addresses B-1

Appendix C: Small Construction Waivers and Instructions..... C-1

Appendix D: Eligibility Procedures Relating to Threatened & Endangered Species Protection. D-1

Appendix E: Historic Property Screening Process E-1

Appendix F: Buffer Requirements..... F-1

Appendix G: Standard Permit Conditions..... G-1

Appendix H: Notice of Intent (NOI) Form and Instructions H-1

Appendix I: Notice of Termination (NOT) Form and Instructions..... I-1

Appendix J: Suggested Format for Request for Chemical Treatment J-1

Appendix K: Turbidity Benchmark Monitoring Report Form K-1

1 HOW TO OBTAIN COVERAGE UNDER THE CONSTRUCTION GENERAL PERMIT (CGP)

To be covered under this permit, you must meet the eligibility conditions and follow the requirements for obtaining permit coverage in this Part.

1.1 ELIGIBILITY CONDITIONS

1.1.1 You are an “operator” of a construction site for which discharges will be covered under this permit. For the purposes of this permit and in the context of stormwater discharges associated with construction activity, an “operator” is any party associated with a construction project that meets either of the following two criteria:

- a.** The party has operational control over construction plans and specifications, including the ability to make modifications to those plans and specifications; or
- b.** The party has day-to-day operational control of those activities at a project that are necessary to ensure compliance with the permit conditions.

Where there are multiple operators associated with the same project, all operators must obtain permit coverage.¹ Subcontractors generally are not considered operators for the purposes of this permit.

1.1.2 Your site’s construction activities:

- a.** Will disturb one or more acres of land, or will disturb less than one acre of land but are part of a common plan of development or sale (as defined in Appendix A) that will ultimately disturb one or more acres of land; or
- b.** Have been designated by EPA as needing permit coverage under 40 CFR § 122.26(a)(1)(v) or 40 CFR § 122.26(b)(15)(ii);

1.1.3 Your site is located in an area where EPA is the permitting authority and where coverage under this permit is available (see Appendix B);

1.1.4 Discharges from your site are not:

- a.** Already covered by a different NPDES permit for the same discharge; or
- b.** In the process of having coverage under a different NPDES permit for the same discharge denied, terminated, or revoked.^{2, 3}

1.1.5 You can demonstrate you meet one of the criteria in the Endangered Species Protection section of the Notice of Intent (NOI) that you submit for coverage under this permit, per Part 1.4, with respect to the protection of Federally listed endangered or threatened species and Federally designated critical habitat under the Endangered Species Act

¹ If the operator of a “construction support activity” (see Part 1.2.1c) is different than the operator of the main site, that operator must also obtain permit coverage. See Part 7.1 for clarification on the sharing of permit-related functions between and among operators on the same site and for conditions that apply to developing a SWPPP for multiple operators associated with the same site.

² Parts 1.1.4a and 1.1.4b do not include sites currently covered under the 2017 CGP that are in the process of obtaining coverage under this permit, nor sites covered under this permit that are transferring coverage to a different operator.

³ Notwithstanding a site being made ineligible for coverage under this permit because it falls under the description of Parts 1.1.4a or 1.1.4b, above, EPA may waive the applicable eligibility requirement after specific review if it determines that coverage under this permit is appropriate.

(ESA). If the EPA Regional Office grants you a waiver from electronic reporting per Part 1.4.2, you must complete the ESA worksheet in Appendix D to demonstrate you meet one of the criteria and submit it with your paper NOI (Appendix I).

- 1.1.6** You have completed the screening process in Appendix E relating to the protection of historic properties; and
- 1.1.7** You have complied with all requirements in Part 9 imposed by the applicable State, Indian Tribe, or Territory in which your construction activities and/or discharge will occur.
- 1.1.8** For "new sources" (as defined in Appendix A) only:
 - a.** EPA has not, prior to authorization under this permit, determined that discharges from your site will not meet applicable water quality standards. Where such a determination is made prior to authorization, EPA may notify you that an individual permit application is necessary. However, EPA may authorize your coverage under this permit after you have included appropriate controls and implementation procedures designed to bring your discharge into compliance with this permit, specifically the requirement to meet water quality standards. In the absence of information demonstrating otherwise, EPA expects that compliance with the requirements of this permit, including the requirements applicable to such discharges in Part 3, will result in discharges that meet applicable water quality standards.
 - b.** Discharges from your site to a Tier 2, Tier 2.5, or Tier 3 water⁴ will not lower the water quality of the applicable water. In the absence of information demonstrating otherwise, EPA expects that compliance with the requirements of this permit, including the requirements applicable to such discharges in Part 3.2, will result in discharges that will not lower the water quality of such waters.
- 1.1.9** If you plan to add "cationic treatment chemicals" (as defined in Appendix A) to stormwater and/or authorized non-stormwater prior to discharge, you may not submit your NOI until you notify your applicable EPA Regional Office (see Appendix J) in advance and the EPA Regional Office authorizes coverage under this permit after you have included appropriate controls and implementation procedures designed to ensure that your use of cationic treatment chemicals will result in discharges that meet applicable water quality standards.

⁴ Note: Your site will be considered to discharge to a Tier 2, Tier 2.5, or Tier 3 water if the first receiving water to which you discharge is identified by a State, Tribe, or EPA as a Tier 2, Tier 2.5, or Tier 3 water. For discharges that enter a storm sewer system prior to discharge, the first receiving water to which you discharge is the waterbody that receives the stormwater discharge from the storm sewer system. The current list of Tier 2, Tier 2.5, and Tier 3 waters located in the areas eligible for coverage under this permit can be found at <https://www.epa.gov/npdes/construction-general-permit-resources-tools-and-templates>. You can also use EPA's Discharge Mapping Tool (<https://www.epa.gov/npdes/epas-stormwater-discharge-mapping-tools>) to assist you in identifying whether any receiving waters to which you discharge are listed as impaired (and the pollutant for which it is impaired) and whether an approved total maximum daily load (TMDL) exists for that waterbody.

1.2 TYPES OF DISCHARGES AUTHORIZED⁵

1.2.1 The following stormwater discharges are authorized under this permit provided that appropriate stormwater controls are designed, installed, and maintained (see Parts 2 and 3):

- a.** Stormwater discharges, including stormwater runoff, snowmelt runoff, and surface runoff and drainage, associated with construction activity under 40 CFR § 122.26(b)(14) or § 122.26(b)(15)(i);
- b.** Stormwater discharges designated by EPA as needing a permit under 40 CFR § 122.26(a)(1)(v) or § 122.26(b)(15)(ii);
- c.** Stormwater discharges from on or off-site construction support activities (e.g., concrete or asphalt batch plants, equipment staging yards, material storage areas, excavated material disposal areas, borrow areas) provided that:
 - i.** The support activity is directly related to the construction site required to have permit coverage for stormwater discharges;
 - ii.** The support activity is not a commercial operation, nor does it serve multiple unrelated construction sites;
 - iii.** The support activity does not continue to operate beyond the completion of the construction activity at the site it supports; and
 - iv.** Stormwater controls are implemented in accordance with Part 2 and Part 3 for discharges from the support activity areas; and
- d.** Stormwater discharges from earth-disturbing activities associated with the construction of staging areas and the construction of access roads conducted prior to active mining.

1.2.2 The following non-stormwater discharges associated with your construction activity are authorized under this permit provided that, with the exception of water used to control dust and to irrigate vegetation in stabilized areas, these discharges are not routed to areas of exposed soil on your site and you comply with any applicable requirements for these discharges in Parts 2 and 3:

- a.** Discharges from emergency fire-fighting activities;
- b.** Fire hydrant flushings;
- c.** Landscape irrigation;
- d.** Water used to wash vehicles and equipment, provided that there is no discharge of soaps, solvents, or detergents used for such purposes;
- e.** Water used to control dust;
- f.** Potable water including uncontaminated water line flushings;

⁵ See "Discharge" as defined in Appendix A. Note: Any discharges not expressly authorized in this permit cannot become authorized or shielded from liability under CWA Section 402(k) by disclosure to EPA, State, or local authorities after issuance of this permit via any means, including the Notice of Intent (NOI) to be covered by the permit, the SWPPP, or during an inspection.

- g.** External building washdown, provided soaps, solvents, and detergents are not used, and external surfaces do not contain hazardous substances (as defined in Appendix A) (e.g., paint or caulk containing polychlorinated biphenyls (PCBs));
 - h.** Pavement wash waters, provided spills or leaks of toxic or hazardous substances have not occurred (unless all spill material has been removed) and where soaps, solvents, and detergents are not used. You are prohibited from directing pavement wash waters directly into any receiving water, storm drain inlet, or constructed or natural site drainage features, unless the feature is connected to a sediment basin, sediment trap, or similarly effective control;
 - i.** Uncontaminated air conditioning or compressor condensate;
 - j.** Uncontaminated, non-turbid discharges of ground water or spring water;
 - k.** Foundation or footing drains where flows are not contaminated with process materials such as solvents or contaminated ground water; and
 - l.** Uncontaminated construction dewatering water⁶ discharged in accordance with Part 2.4.
- 1.2.3** Also authorized under this permit are discharges of stormwater listed above in Part 1.2.1, or authorized non-stormwater discharges listed above in Part 1.2.2, commingled with a discharge authorized by a different NPDES permit and/or a discharge that does not require NPDES permit authorization.

1.3 PROHIBITED DISCHARGES⁷

The discharges listed in this Part are prohibited outright or authorized only under the identified conditions. To prevent the discharges in Parts 1.3.1 through 1.3.5, operators must comply with the applicable pollution prevention requirements in Part 2.3 or ensure the discharge is authorized by another NPDES permit consistent with Part 1.2.3 for commingled discharges.

- 1.3.1** Wastewater from washout of concrete, unless managed by an appropriate control as described in Part 2.3.4;
- 1.3.2** Wastewater from washout and/or cleanout of stucco, paint, form release oils, curing compounds, and other construction materials;
- 1.3.3** Fuels, oils, or other pollutants used in vehicle and equipment operation and maintenance;
- 1.3.4** Soaps, solvents, or detergents used in vehicle and equipment washing or external building washdown; and
- 1.3.5** Toxic or hazardous substances from a spill or other release.

⁶ EPA notes that operators may need to comply with additional procedures to verify that the dewatering discharge is uncontaminated. Operators should review Part 9 to determine if any of these requirements apply to their discharge and should ensure that they have complied with any State, Tribal, or local dewatering requirements that apply.

⁷ EPA includes these prohibited non-stormwater discharges here as a reminder to the operator that the only non-stormwater discharges authorized by this permit are at Part 1.2.2. Any unauthorized non-stormwater discharges must be covered under an individual permit or alternative general permit.

1.4 SUBMITTING YOUR NOTICE OF INTENT (NOI)

All “operators” (as defined in Appendix A) associated with your construction site who meet the Part 1.1 eligibility conditions, and who seek coverage under this permit, must submit to EPA a complete and accurate NOI in accordance with the deadlines in Table 1 prior to commencement of construction activities (as defined in Appendix A).

Exception: If you are conducting construction activities in response to a public emergency (e.g., mud slides, earthquake, extreme flooding conditions, widespread disruption in essential public services), and the related work requires immediate authorization to avoid imminent endangerment to human health, public safety, or the environment, or to reestablish essential public services, you may discharge on the condition that a complete and accurate NOI is submitted within 30 calendar days after commencing construction activities (see Table 1) establishing that you are eligible for coverage under this permit. You must also provide documentation in your Stormwater Pollution Prevention Plan (SWPPP) to substantiate the occurrence of the public emergency pursuant to Part 7.2.3i.

1.4.1 Prerequisite for Submitting Your NOI

You must develop a SWPPP consistent with Part 7 before submitting your NOI for coverage under this permit.

1.4.2 How to Submit Your NOI

You must use EPA’s NPDES eReporting Tool (NeT) to electronically prepare and submit your NOI for coverage under the 2022 CGP unless you received a waiver from your applicable EPA Regional Office.

To access NeT, go to <https://cdx.epa.gov/cdx>.

Waivers from electronic reporting may be granted based on one of the following conditions:

- a. If your operational headquarters is physically located in a geographic area (i.e., ZIP code or census tract) that is identified as under-served for broadband Internet access in the most recent report from the Federal Communications Commission; or
- b. If you have limitations regarding available computer access or computer capability.

If the EPA Regional Office grants you approval to use a paper NOI, and you elect to use it, you must complete the form in Appendix H.

1.4.3 Deadlines for Submitting Your NOI and Your Official Date of Permit Coverage

Table 1 provides the deadlines for submitting your NOI and the official start date of your permit coverage, which differ depending on when you commence construction activities.

Table 1 NOI Submittal Deadlines and Official Start Date for Permit Coverage.

| Type of Operator | NOI Submittal Deadline ⁸ | Permit Authorization Date ⁹ |
|--|---|---|
| Operator of a new site (i.e., a site where construction activities commence on or after February 17, 2022) | At least 14 calendar days before commencing construction activities. | 14 calendar days after EPA notifies you that it has received a complete NOI, unless EPA notifies you that your authorization is delayed or denied. |
| Operator of an existing site (i.e., a site with 2017 CGP coverage where construction activities commenced prior to February 17, 2022) | No later than May 18, 2022. | 14 calendar days after EPA notifies you that it has received a complete NOI, unless EPA notifies you that your authorization is delayed or denied. Provided you submit your NOI no later than May 18, 2022, your authorization under the 2017 CGP is automatically continued until you have been granted coverage under this permit or an alternative NPDES permit, or coverage is otherwise terminated. |
| New operator of a permitted site (i.e., an operator that through transfer of ownership and/or operation replaces the operator of an already permitted construction site that is either a “new site” or an “existing site”) | At least 14 calendar days before the date the transfer to the new operator will take place. | 14 calendar days after EPA notifies you that it has received a complete NOI, unless EPA notifies you that your authorization is delayed or denied. |
| Operator of an “emergency-related project” (i.e., a project initiated in response to a public emergency (e.g., mud slides, earthquake, extreme flooding conditions, disruption in essential public services), for which the related work requires immediate authorization to avoid imminent endangerment to human health or the environment, or to reestablish essential public services) | No later than 30 calendar days after commencing construction activities. | You are considered provisionally covered under the terms and conditions of this permit immediately, and fully covered 14 calendar days after EPA notifies you that it has received a complete NOI, unless EPA notifies you that your authorization is delayed or denied. |

⁸ If you miss the deadline to submit your NOI, any and all discharges from your construction activities will continue to be unauthorized under the CWA until they are covered by this or a different NPDES permit. EPA may take enforcement action for any unpermitted discharges that occur between the commencement of construction activities and discharge authorization.

⁹ Discharges are not authorized if your NOI is incomplete or inaccurate or if you are not eligible for permit coverage.

1.4.4 Modifying your NOI

If after submitting your NOI you need to correct or update any fields, you may do so by submitting a "Change NOI" form using NeT. Waivers from electronic reporting may be granted as specified in Part 1.4.2. If the EPA Regional Office has granted you approval to submit a paper NOI modification, you may indicate any NOI changes on the same NOI form in Appendix H.

When there is a change to the site's operator, the new operator must submit a new NOI, and the previous operator must submit a Notice of Termination (NOT) form as specified in Part 8.3.

The following modifications to an NOI form will result in a 14-day review process:

- Changes to the name of the operator;
- Changes to the project or site name;
- Changes to the estimated area to be disturbed;
- Changes to the name of the receiving water¹⁰, or additions to the applicable receiving waters;
- Changes to eligibility information related to endangered species protection or historic preservation;
- Changes to information provided related to the use of chemical treatment at your site; and
- Changes to answers provided regarding the demolition of structures over 10,000 square feet of floor space built or renovated before January 1, 1980.

During the 14-day review process, you may continue to operate based on the information provided in your original NOI, but you must wait until the review period has ended before you may commence or continue activities on any portion of your site that would be affected by any of the above modifications, unless EPA notifies you that the authorization is delayed or denied.

1.4.5 Your Official End Date of Permit Coverage

Once covered under this permit, your coverage will last until the date that:

- a. You terminate permit coverage consistent with Part 8; or
- b. You receive permit coverage under a different NPDES permit or a reissued or replacement version of this permit after expiring on February 16, 2027; or
- c. You fail to submit an NOI for coverage under a reissued or replacement version of this permit before the deadline for existing construction sites where construction activities continue after this permit has expired.

1.5 REQUIREMENT TO POST A NOTICE OF YOUR PERMIT COVERAGE

You must post a sign or other notice of your permit coverage at a safe, publicly accessible location in close proximity to the construction site. The notice must be located so it is visible from the public road that is nearest to the active part of the construction

¹⁰ As defined in Appendix A, a "receiving water" is "a "Water of the United States" as defined in 40 CFR §122.2 into which the regulated stormwater discharges.

site, and it must use a font large enough to be readily viewed from a public right-of-way.¹¹ At a minimum, the notice must include:

- a. The NPDES ID (i.e., permit tracking number assigned to your NOI and the EPA webpage where a copy of the NOI can be found (<https://permitsearch.epa.gov/epermit-search/ui/search>));
- b. A contact name and phone number for obtaining additional construction site information;
- c. The Uniform Resource Locator (URL) for the SWPPP (if available), or the following statement: "If you would like to obtain a copy of the Stormwater Pollution Prevention Plan (SWPPP) for this site, contact the EPA Regional Office at [include the appropriate CGP Regional Office contact information found at <https://www.epa.gov/npdes/contact-us-stormwater#regional>];" and
- d. The following statement "If you observe indicators of stormwater pollutants in the discharge or in the receiving water, contact the EPA through the following website: <https://www.epa.gov/enforcement/report-environmental-violations>."

2 TECHNOLOGY-BASED EFFLUENT LIMITATIONS

You must comply with the following technology-based effluent limitations in this Part for all authorized discharges.¹²

2.1 GENERAL STORMWATER CONTROL DESIGN, INSTALLATION, AND MAINTENANCE REQUIREMENTS

You must design, install, and maintain stormwater controls required in Parts 2.2, 2.3, and 2.4 to minimize the discharge of pollutants in stormwater from construction activities.¹³ To meet this requirement, you must:

2.1.1 Account for the following factors in designing your stormwater controls:

- a. The expected amount, frequency, intensity, and duration of precipitation;¹⁴
- b. The nature of stormwater runoff (i.e., flow) and run-on at the site, including factors such as expected flow from impervious surfaces, slopes, and site drainage features. You must design stormwater controls to control stormwater volume, velocity, and peak flow rates to minimize discharges of pollutants in stormwater and to minimize channel and streambank erosion and scour in the immediate vicinity of discharge points; and
- c. The soil type and range of soil particle sizes expected to be present on the site.

¹¹ If the active part of the construction site is not visible from a public road, then place the notice of permit coverage in a position that is visible from the nearest public road and as close as possible to the construction site.

¹² For each of the effluent limits in Part 2, as applicable to your site, you must include in your SWPPP (1) a description of the specific control(s) to be implemented to meet the effluent limit; (2) any applicable design specifications; (3) routine maintenance specifications; and (4) the projected schedule for installation/implementation. See Part 7.2.6.

¹³ The permit does not recommend or endorse specific products or vendors.

¹⁴ Stormwater controls must be designed using the most recent data available to account for recent precipitation patterns and trends.

If your site is exposed to or has previously experienced major storms, such as hurricanes, storm surge, extreme/heavy precipitation, and flood events, you should also include consideration of and contingencies for whether implementing structural improvements, enhanced/resilient stormwater controls, and other mitigation measures may help minimize impacts from stormwater discharges from such major storm events.

2.1.2 Design and install all stormwater controls in accordance with good engineering practices, including applicable design specifications.¹⁵

2.1.3 Complete installation of stormwater controls by the time each phase of construction activities has begun.

- a. By the time construction activity in any given portion of the site begins, install and make operational any downgradient sediment controls (e.g., buffers, perimeter controls, exit point controls, storm drain inlet protection) that control discharges from the initial site clearing, grading, excavating, and other earth-disturbing activities.¹⁶
- b. Following the installation of these initial controls, install and make operational all stormwater controls needed to control discharges prior to subsequent earth-disturbing activities.

2.1.4 Ensure all stormwater controls are maintained and remain in effective operating condition during permit coverage and are protected from activities that would reduce their effectiveness.

- a. Comply with any specific maintenance requirements for the stormwater controls listed in this permit, as well as any recommended by the manufacturer.¹⁷
- b. If at any time you find that a stormwater control needs routine maintenance (i.e., minor repairs or other upkeep performed to ensure the site's stormwater controls remain in effective operating condition, not including significant repairs or the need to install a new or replacement control), you must immediately initiate the needed work, and complete such work by the close of the next business day. If it is infeasible to complete the routine maintenance by the close of the next business day, you must document why this is the case and why the repair or other upkeep to be performed should still be considered routine maintenance in your inspection report under Part 4.7.1c and complete such work no later than seven (7) calendar days from the time of discovery of the condition requiring maintenance.
- c. If you must repeatedly (i.e., three (3) or more times) make the same routine maintenance fixes to the same control at the same location, even if the fix can be completed by the close of the next business day, you must either:
 - i. Complete work to fix any subsequent repeat occurrences of this same problem under the corrective action procedures in Part 5, including keeping any records

¹⁵ Design specifications may be found in manufacturer specifications and/or in applicable erosion and sediment control manuals or ordinances. Any departures from such specifications must reflect good engineering practices and must be explained in your SWPPP. You must also comply with any additional design and installation requirements specified for the effluent limits in Parts 2.2, 2.3, and 2.4.

¹⁶ Note that the requirement to install stormwater controls prior to each phase of construction activities for the site does not apply to the earth disturbance associated with the actual installation of these controls. Operators should take all reasonable actions to minimize the discharges of pollutants during the installation of stormwater controls.

¹⁷ Any departures from such maintenance recommendations made by the manufacturer must reflect good engineering practices and must be explained in your SWPPP.

of the condition and how it was corrected under Part 5.4; or

- ii. Document in your inspection report under Part 4.7.1c why the specific reoccurrence of this same problem should still be addressed as a routine maintenance fix under this Part.¹⁸
- d. If at any time you find that a stormwater control needs a significant repair or that a new or replacement control is needed, you must comply with the corrective action deadlines for completing such work in in Part 5.2.1c.

2.2 EROSION AND SEDIMENT CONTROL REQUIREMENTS

You must implement erosion and sediment controls in accordance with the following requirements to minimize the discharge of pollutants in stormwater from construction activities.

2.2.1 Provide and maintain natural buffers and/or equivalent erosion and sediment controls for discharges to any receiving waters that is located within 50 feet of the site's earth disturbances.

- a. **Compliance Alternatives.** For any discharges to receiving waters located within 50 feet of your site's earth disturbances, you must comply with one of the following alternatives:
 - i. Provide and maintain a 50-foot undisturbed natural buffer; or
 - ii. Provide and maintain an undisturbed natural buffer that is less than 50 feet and is supplemented by erosion and sediment controls that achieve, in combination, the sediment load reduction equivalent to a 50-foot undisturbed natural buffer; or
 - iii. If infeasible to provide and maintain an undisturbed natural buffer of any size, implement erosion and sediment controls to achieve the sediment load reduction equivalent to a 50-foot undisturbed natural buffer.

See Appendix F, Part F.2 for additional conditions applicable to each compliance alternative.

- b. **Exceptions.** See Appendix F, Part F.2 for exceptions to the compliance alternatives.

2.2.2 Direct stormwater to vegetated areas and maximize stormwater infiltration and filtering to reduce pollutant discharges, unless infiltration would be inadvisable due to the underlying geology (e.g., karst topography) and ground water contamination concerns, or infeasible due to site conditions.¹⁹

¹⁸ Such documentation could include, for example, that minor repairs completed within the required timeframe are all that is necessary to ensure that the stormwater control continues to operate as designed and installed and that the stormwater control remains appropriate for the flow reaching it.

¹⁹ Operators should consider whether factors such as specific contaminant concerns from the construction site, the underlying soils or geology, hydrology, depth to the ground water table, or proximity to source water or wellhead protection area(s) make the site unsuitable for infiltrating construction stormwater. Site conditions that may be of particular concern include proximity to: a current or future drinking water aquifer; a drinking water well or spring (including private/household wells); highly conductive geology such as karst; known pollutant hot spots, such as hazardous waste sites, landfills, gas stations, brownfields; an on-site sewage system or underground storage tank; or soils that do not allow for infiltration. Operators may find it helpful to consult EPA's [Drinking Water Mapping Application to Protect Source Waters \(DWMAPS\)](#). DWMAPS is an online mapping tool that can be used to locate drinking water providers, potential sources of contamination, polluted waterways, and information on protection initiatives in the site area.

2.2.3 Install sediment controls along any perimeter areas of the site that are downslope from any exposed soil or other disturbed areas.²⁰

- a. The perimeter control must be installed upgradient of any natural buffers established under Part 2.2.1, unless the control is being implemented pursuant to Part 2.2.1a.ii-iii;
- b. To prevent stormwater from circumventing the edge of the perimeter control, install the perimeter control on the contour of the slope and extend both ends of the control up slope (e.g., at 45 degrees) forming a crescent rather than a straight line;
- c. After installation, to ensure that perimeter controls continue to work effectively:
 - i. Remove sediment before it has accumulated to one-half of the above-ground height of any perimeter control; and
 - ii. After a storm event, if there is evidence of stormwater circumventing or undercutting the perimeter control, extend controls and/or repair undercut areas to fix the problem.
- d. **Exception.** For areas at “linear construction sites” (as defined in Appendix A) where perimeter controls are infeasible (e.g., due to a limited or restricted right-of-way), implement other practices as necessary to minimize pollutant discharges to perimeter areas of the site.

2.2.4 Minimize sediment track-out.

- a. Restrict vehicle use to properly designated exit points;
- b. Use appropriate stabilization techniques²¹ at all points that exit onto paved roads;
 - i. **Exception:** Stabilization is not required for exit points at linear utility construction sites that are used only episodically and for very short durations over the life of the project, provided other exit point controls²² are implemented to minimize sediment track-out;
- c. Implement additional track-out controls²³ as necessary to ensure that sediment removal occurs prior to vehicle exit; and
- d. Where sediment has been tracked-out from your site onto paved roads, sidewalks, or other paved areas outside of your site, remove the deposited sediment by the end of the same business day in which the track-out occurs or by the end of the next business day if track-out occurs on a non-business day. Remove the track-out by sweeping, shoveling, or vacuuming these surfaces, or by using other similarly effective means of sediment removal. You are prohibited from hosing or sweeping tracked-out

²⁰ Examples of perimeter controls include filter berms; different types of silt fence such as wire-backed silt fence, super silt fence, or multi-layer geotextile silt fence; compost filter socks; gravel barriers; and temporary diversion dikes.

²¹ Examples of appropriate stabilization techniques include the use of aggregate stone with an underlying geotextile or non-woven filter fabric, and turf mats.

²² Examples of other exit point controls include preventing the use of exit points during wet periods; minimizing exit point use by keeping vehicles on site to the extent possible; limiting exit point size to the width needed for vehicle and equipment usage; using scarifying and compaction techniques on the soil; and avoiding establishing exit points in environmentally sensitive areas (e.g., karst areas; steep slopes).

²³ Examples of additional track-out controls include the use of wheel washing, rumble strips, and rattle plates.

sediment into any constructed or natural site drainage feature, storm drain inlet, or receiving water.²⁴

2.2.5 Manage stockpiles or land clearing debris piles composed, in whole or in part, of sediment and/or soil:²⁵

- a. Locate the piles outside of any natural buffers established under Part 2.2.1 and away from any constructed or natural site drainage features, storm drain inlets, and areas where stormwater flow is concentrated;
- b. Install a sediment barrier along all downgradient perimeter areas of stockpiled soil or land clearing debris piles;²⁶
- c. For piles that will be unused for 14 or more days, provide cover²⁷ or appropriate temporary stabilization (consistent with Part 2.2.14);
- d. You are prohibited from hosing down or sweeping soil or sediment accumulated on pavement or other impervious surfaces into any constructed or natural site drainage feature, storm drain inlet, or receiving water.

2.2.6 Minimize dust. On areas of exposed soil, minimize dust through the appropriate application of water or other dust suppression techniques to control the generation of pollutants that could be discharged in stormwater from the site.

2.2.7 Minimize steep slope disturbances. Minimize the disturbance of "steep slopes" (as defined in Appendix A).²⁸

2.2.8 Preserve native topsoil, unless infeasible.²⁹

2.2.9 Minimize soil compaction.³⁰ In areas of your site where final vegetative stabilization will occur or where infiltration practices will be installed:

²⁴ Fine grains that remain visible (e.g., staining) on the surfaces of off-site streets, other paved areas, and sidewalks after you have implemented sediment removal practices are not a violation of Part 2.2.4.

²⁵ The requirements in Part 2.2.5 do not apply to the storage of rock, such as rip rap, landscape rock, pipe bedding gravel, and boulders. Refer to Part 2.3.3a for the requirements that apply to these types of materials.

²⁶ Examples of sediment barriers include berms, dikes, fiber rolls, silt fences, sandbags, gravel bags, or straw bale.

²⁷ Examples of cover include tarps, blown straw and hydroseeding.

²⁸ Where disturbance to steep slopes cannot be avoided, operators should consider implementing controls suitable for steep slope disturbances that are effective at minimizing erosion and sediment discharge (e.g., preservation of existing vegetation, hydraulic mulch, geotextiles and mats, compost blankets, earth dikes or drainage swales, terraces, velocity dissipation devices). To identify slopes and soil types that are of comparatively higher risk for sediment discharge in areas of the country where the CGP is in effect, operators can use the tables in Appendix F (see Tables F-2 thru F-6).

²⁹ Stockpiling topsoil at off-site locations, or transferring topsoil to other locations, is an example of a practice that is consistent with the requirements in Part 2.2.8. Preserving native topsoil is not required where the intended function of a specific area of the site dictates that the topsoil be disturbed or removed. For example, some sites may be designed to be highly impervious after construction, and therefore little or no vegetation is intended to remain, or may not have space to stockpile native topsoil on site for later use, in which case it may not be feasible to preserve topsoil.

³⁰ Minimizing soil compaction is not required where the intended function of a specific area of the site dictates that it be compacted.

- a. Restrict vehicle and equipment use in these locations to avoid soil compaction; and
- b. Before seeding or planting areas of exposed soil that have been compacted, use techniques that rehabilitate and condition the soils as necessary to support vegetative growth.

2.2.10 Protect storm drain inlets.

- a. Install inlet protection measures that remove sediment from discharges prior to entry into any storm drain inlet that carries stormwater from your site to a receiving water, provided you have authority to access the storm drain inlet.³¹ Inlet protection measures are not required for storm drain inlets that are conveyed to a sediment basin, sediment trap, or similarly effective control; and
- b. Clean, or remove and replace, the inlet protection measures as sediment accumulates, the filter becomes clogged, and/or performance is compromised. Where there is evidence of sediment accumulation adjacent to the inlet protection measure, remove the deposited sediment by the end of the same business day in which it is found or by the end of the following business day if removal by the same business day is not feasible.

2.2.11 Control stormwater discharges, including both peak flowrates and total stormwater volume, to minimize channel and streambank erosion and scour in the immediate vicinity of discharge points.³²

2.2.12 If you install a sediment basin or similar impoundment:

- a. Situate the basin or impoundment outside of any receiving water, and any natural buffers established under Part 2.2.1;
- b. Design the basin or impoundment to avoid collecting water from wetlands;
- c. Design the basin or impoundment to provide storage for either:
 - i. The calculated volume of runoff from a 2-year, 24-hour storm;³³ or
 - ii. 3,600 cubic feet per acre drained.
- d. Utilize outlet structures that withdraw water from the surface of the sediment basin or similar impoundment, unless infeasible;³⁴
- e. Use erosion controls and velocity dissipation devices to prevent erosion at inlets and outlets; and

³¹ Inlet protection measures can be removed in the event of flood conditions or to prevent erosion.

³² Examples of stormwater controls that can be used to comply with this requirement include the use of erosion controls and/or velocity dissipation devices (e.g., check dams, sediment traps), within and along the length of a constructed site drainage feature and at the outfall to slow down stormwater.

³³ Operators may refer to <https://www.epa.gov/npdes/construction-general-permit-resources-tools-and-templates> for guidance on determining the volume of precipitation associated with their site's local 2-year, 24-hour storm event.

³⁴ The circumstances in which it is infeasible to design outlet structures in this manner are rare. Exceptions may include areas with extended cold weather, where using surface outlets may not be feasible during certain time periods (although they must be used during other periods). If you determine that it is infeasible to meet this requirement, you must provide documentation in your SWPPP to support your determination, including the specific conditions or time periods when this exception will apply.

- f. Remove accumulated sediment to maintain at least one-half of the design capacity and conduct all other appropriate maintenance to ensure the basin or impoundment remains in effective operating condition.

2.2.13 If using treatment chemicals (e.g., *polymers, flocculants, coagulants*):

- a. **Use conventional erosion and sediment controls before and after the application of treatment chemicals.** Chemicals may only be applied where treated stormwater is directed to a sediment control (e.g., *sediment basin, perimeter control*) before discharge.
- b. **Select appropriate treatment chemicals.** Chemicals must be appropriately suited to the types of soils likely to be exposed during construction and present in the discharges being treated (i.e., *the expected turbidity, pH, and flow rate of stormwater flowing into the chemical treatment system or area*).
- c. **Minimize discharge risk from stored chemicals.** Store all treatment chemicals in leak-proof containers that are kept under storm-resistant cover and surrounded by secondary containment structures (e.g., *spill berms, dikes, spill containment pallets*), or provide equivalent measures designed and maintained to minimize the potential discharge of treatment chemicals in stormwater or by any other means (e.g., *storing chemicals in a covered area, having a spill kit available on site and ensuring personnel are available to respond expeditiously in the event of a leak or spill*).
- d. **Comply with State/local requirements.** Comply with applicable State and local requirements regarding the use of treatment chemicals.
- e. **Use chemicals in accordance with good engineering practices and specifications of the chemical provider/supplier.** Use treatment chemicals and chemical treatment systems in accordance with good engineering practices, and with dosing specifications and sediment removal design specifications provided by the provider/supplier of the applicable chemicals, or document in your SWPPP specific departures from these specifications and how they reflect good engineering practice.
- f. **Ensure proper training.** Ensure all persons who handle and use treatment chemicals at the construction site are provided with appropriate, product-specific training prior to beginning application of treatment chemicals. Among other things, the training must cover proper dosing requirements.
- g. **Perform additional measures specified by the EPA Regional Office for the authorized use of cationic chemicals.** If you have been authorized to use cationic chemicals at your site pursuant to Part 1.1.9, you must perform all additional measures as conditioned by your authorization to ensure the use of such chemicals will not result in discharges that do not meet water quality standards.

2.2.14 Stabilize exposed portions of the site. Implement and maintain stabilization measures (e.g., *seeding protected by erosion controls until vegetation is established*,³⁵ *sodding, mulching, erosion control blankets, hydromulch, gravel*) that minimize erosion from any areas of exposed soil on the site in accordance with Part.

³⁵ If you will be evaluating the use of some type of erosion control netting to the site as part of your site stabilization, EPA encourages you to consider employing products that have been shown to minimize

a. Stabilization Deadlines:³⁶

Table 2 Deadlines for Initiating and Completing Site Stabilization.

| Total Amount of Land Disturbance Occurring At Any One Time ³⁷ | Deadline |
|--|--|
| <p>i. Five acres or less (≤5.0)</p> <p>Note: this includes sites disturbing more than five acres (>5.0) total over the course of a project, but that limit disturbance at any one time (i.e., phase the disturbance) to five acres or less (≤5.0)</p> | <ul style="list-style-type: none"> • Initiate the installation of stabilization measures immediately³⁸ in any areas of exposed soil where construction activities have permanently ceased or will be temporarily inactive for 14 or more calendar days;³⁹ and • Complete the installation of stabilization measures as soon as practicable, but no later than 14 calendar days |

impacts on wildlife. For instance, the U.S. Fish & Wildlife Service provides recommendations on the type of netting practices that are considered “wildlife friendly,” including those that use natural fiber or 100 percent biodegradable materials and that use a loose weave with a non-welded, movable jointed netting, as well as those products that are not wildlife friendly including square plastic netting that are degradable (e.g., photodegradable, UV-degradable, oxo-degradable), netting made from polypropylene, nylon, polyethylene, or polyester. Other recommendations include removing the netting product when it is no longer needed. See https://www.fws.gov/midwest/eastlansing/library/pdf/WildlifeFriendlyErosionControlProducts_revised.pdf for further information. There also may be State, Tribal, or local requirements about using wildlife friendly erosion control products.

³⁶ EPA may determine, based on an inspection carried out under Part 4.8 and corrective actions required under Part 5.3, that the level of sediment discharge on the site makes it necessary to require a faster schedule for completing stabilization. For instance, if sediment discharges from an area of exposed soil that is required to be stabilized are compromising the performance of existing stormwater controls, EPA may require stabilization to correct this problem.

³⁷ Limiting disturbances to five (5) acres or less at any one time means that at no time during the project do the cumulative earth disturbances exceed five (5) acres. The following examples would qualify as limiting disturbances at any one time to five (5) acres or less:

1. The total area of disturbance for a project is five (5) acres or less.
2. The total area of disturbance for a project will exceed five (5) acres, but the operator ensures that no more than five (5) acres will be disturbed at any one time through implementation of stabilization measures. In this way, site stabilization can be used to “free up” land that can be disturbed without exceeding the five (5)-acre cap to qualify for the 14-day stabilization deadline. For instance, if an operator completes stabilization of two (2) acres of land on a five (5)-acre disturbance, then two (2) additional acres could be disturbed while still qualifying for the longer 14-day stabilization deadline.

³⁸ The following are examples of activities that would constitute the immediate initiation of stabilization:

1. Prepping the soil for vegetative or non-vegetative stabilization as long as seeding, planting, and/or installation of non-vegetative stabilization products takes place as soon as practicable, but no later than one (1) calendar day of completing soil preparation;
2. Applying mulch or other non-vegetative product to the exposed area;
3. Seeding or planting the exposed area;
4. Starting any of the activities in # 1 – 3 on a portion of the entire area that will be stabilized; and
5. Finalizing arrangements to have stabilization product fully installed in compliance with the deadlines for completing stabilization.

³⁹ The requirement to initiate stabilization immediately is triggered as soon as you know that construction work on a portion of the site is temporarily ceased and will not resume for 14 or more days, or as soon as you know that construction work is permanently ceased. In the context of this provision, “immediately” means as soon as practicable, but no later than the end of the next business day, following the day when the construction activities have temporarily or permanently ceased.

| Total Amount of Land Disturbance Occurring At Any One Time ³⁷ | Deadline |
|--|--|
| | after stabilization has been initiated. ⁴⁰ |
| ii. More than five acres (>5.0) | <ul style="list-style-type: none"> • Initiate the installation of stabilization measures immediately⁴¹ in any areas of exposed soil where construction activities have permanently ceased or will be temporarily inactive for 14 or more calendar days;⁴² and • Complete the installation of stabilization measures as soon as practicable, but no later than seven (7) calendar days after stabilization has been initiated.⁴³ |

b. Exceptions:

i. Arid, semi-arid, and drought-stricken areas (as defined in Appendix A). If it is the seasonally dry period (as defined in Appendix A)⁴⁴ or a period in which drought is occurring, and vegetative stabilization measures are being used:

- (a) Immediately initiate and, within 14 calendar days of temporary or permanent cessation of work in any portion of your site, complete the installation of temporary non-vegetative stabilization measures to the extent necessary to prevent erosion;
- (b) As soon as practicable, given conditions or circumstances on the site, complete all activities necessary to seed or plant the area to be stabilized; and
- (c) If construction is occurring during the seasonally dry period, indicate in your SWPPP the beginning and ending dates of the seasonally dry period and your site conditions. Also include the schedule you will follow for initiating and completing vegetative stabilization.

ii. Unforeseen circumstances. Operators that are affected by unforeseen circumstances⁴⁵ that delay the initiation and/or completion of vegetative stabilization:

⁴⁰ If vegetative stabilization measures are being implemented, stabilization is considered "installed" when all activities necessary to seed or plant the area are completed, including the application of any non-vegetative protective cover (e.g., mulch, erosion control blanket), if applicable. If non-vegetative stabilization measures are being implemented, stabilization is considered "installed" when all such measures are implemented or applied.

⁴¹ See footnote 38.

⁴² See footnote 39.

⁴³ See footnote 40.

⁴⁴ The term "seasonally dry period" as defined in Appendix A refers to a month in which the long-term average total precipitation is less than or equal to 0.5 inches. Refer to EPA's Seasonally Dry Period Locator Tool at <https://www.epa.gov/npdes/construction-general-permit-resources-tools-and-templates> and supporting maps for assistance in determining whether a site is operating during a seasonally dry period for the area.

⁴⁵ Examples include problems with the supply of seed stock or with the availability of specialized equipment and unsuitability of soil conditions due to excessive precipitation and/or flooding.

- (a) Immediately initiate and, within 14 calendar days, complete the installation of temporary non-vegetative stabilization measures to prevent erosion;
- (b) Complete all soil conditioning, seeding, watering or irrigation installation, mulching, and other required activities related to the planting and initial establishment of vegetation as soon as conditions or circumstances allow it on your site; and
- (c) Document in the SWPPP the circumstances that prevent you from meeting the deadlines in Part 2.2.14a and the schedule you will follow for initiating and completing stabilization.

iii. Discharges to a sediment- or nutrient-impaired water or to a water that is identified by your State, Tribe, or EPA as Tier 2, Tier 2.5, or Tier 3 for antidegradation purposes. Complete stabilization as soon as practicable, but no later than seven (7) calendar days after stabilization has been initiated.

c. Final Stabilization Criteria (for any areas not covered by permanent structures):

- i. Establish uniform, perennial vegetation (*i.e., evenly distributed, without large bare areas*) to provide 70 percent or more of the vegetative cover native to local undisturbed areas; and/or
- ii. Implement permanent non-vegetative stabilization measures⁴⁶ to provide effective cover of any areas of exposed soil.

iii. Exceptions:

- (a) **Arid, semi-arid, and drought-stricken areas** (as defined in Appendix A). Final stabilization is met if the area has been seeded or planted to establish vegetation that provides 70 percent or more of the vegetative cover native to local undisturbed areas within three (3) years and, to the extent necessary to prevent erosion on the seeded or planted area, non-vegetative erosion controls have been applied to provide cover for at least three years without active maintenance.
- (b) **Disturbed areas on agricultural land that are restored to their preconstruction agricultural use.** The Part 2.2.14c final stabilization criteria do not apply.
- (c) **Areas that need to remain disturbed.** In limited circumstances, stabilization may not be required if the intended function of a specific area of the site necessitates that it remain disturbed, and only the minimum area needed remains disturbed (*e.g., dirt access roads, utility pole pads, areas being used for storage of vehicles, equipment, materials*).

2.3 POLLUTION PREVENTION REQUIREMENTS⁴⁷

You must implement pollution prevention controls in accordance with the following requirements to minimize the discharge of pollutants in stormwater and to prevent the discharge of pollutants from spilled or leaked materials from construction activities.

⁴⁶ Examples of permanent non-vegetative stabilization measures include riprap, gravel, gabions, and geotextiles.

⁴⁷ Under this permit, you are not required to minimize exposure for any products or materials where the exposure to precipitation and to stormwater will not result in a discharge of pollutants, or where exposure of a specific material or product poses little risk of stormwater contamination (such as final products and materials intended for outdoor use).

2.3.1 For equipment and vehicle fueling and maintenance:

- a. Provide an effective means of eliminating the discharge of spilled or leaked chemicals, including fuels and oils, from these activities;⁴⁸
- b. If applicable, comply with the Spill Prevention Control and Countermeasures (SPCC) requirements in 40 CFR part 112 and Section 311 of the CWA;
- c. Ensure adequate supplies are available at all times to handle spills, leaks, and disposal of used liquids;
- d. Use drip pans and absorbents under or around leaky vehicles;
- e. Dispose of or recycle oil and oily wastes in accordance with other Federal, State, Tribal, or local requirements; and
- f. Clean up spills or contaminated surfaces immediately, using dry clean up measures (do not clean contaminated surfaces by hosing the area down), and eliminate the source of the spill to prevent a discharge or a continuation of an ongoing discharge.

2.3.2 For equipment and vehicle washing:

- a. Provide an effective means of minimizing the discharge of pollutants from equipment and vehicle washing, wheel wash water, and other types of wash waters;⁴⁹
- b. Ensure there is no discharge of soaps, solvents, or detergents in equipment and vehicle wash water; and
- c. For storage of soaps, detergents, or solvents, provide either (1) cover (e.g., *plastic sheeting, temporary roofs*) to minimize the exposure of these detergents to precipitation and to stormwater, or (2) a similarly effective means designed to minimize the discharge of pollutants from these areas.

2.3.3 For storage, handling, and disposal of building products, materials, and wastes:⁵⁰

- a. For building materials and building products,⁵¹ provide either (1) cover (e.g., *plastic sheeting, temporary roofs*) to minimize the exposure of these products to

⁴⁸ Examples of effective means include:

- Locating activities away from receiving waters, storm drain inlets, and constructed or natural site drainage feature so that stormwater coming into contact with these activities cannot reach waters of the U.S.;
- Providing secondary containment (e.g., *spill berms, dikes, spill containment pallets*) and cover where appropriate; and
- Having a spill kit available on site and ensuring personnel are available to respond expeditiously in the event of a leak or spill.

⁴⁹ Examples of effective means include locating activities away from receiving waters and storm drain inlets or constructed or natural site drainage features and directing wash waters to a sediment basin or sediment trap, using filtration devices, such as filter bags or sand filters, or using other similarly effective controls.

⁵⁰ Compliance with the requirements of this permit does not relieve compliance requirements with respect to Federal, State, or local laws and regulations governing the storage, handling, and disposal of solid, hazardous, or toxic wastes and materials.

⁵¹ Examples of building materials and building products typically present at construction sites include asphalt sealants, copper flashing, roofing materials, adhesives, concrete admixtures, and gravel and mulch stockpiles.

precipitation and to stormwater, or (2) a similarly effective means designed to minimize the discharge of pollutants from these areas.

Exception: Minimization of exposure is not required in cases where the exposure to precipitation and to stormwater will not result in a discharge of pollutants, or where exposure of a specific material or product poses little risk of stormwater contamination (such as final products and materials intended for outdoor use).

- b.** *For pesticides, herbicides, insecticides, fertilizers, and landscape materials:*
- i.** In storage areas, provide either (1) cover (e.g., *plastic sheeting, temporary roofs*) to minimize the exposure of these chemicals to precipitation and to stormwater, or (2) a similarly effective means designed to minimize the discharge of pollutants from these areas; and
 - ii.** Comply with all application and disposal requirements included on the registered pesticide, herbicide, insecticide, and fertilizer label (see also Part 2.3.5).
- c.** *For diesel fuel, oil, hydraulic fluids, other petroleum products, and other chemicals:*
The following requirements apply to the storage and handling of chemicals on your site. If you are already implementing controls as part of an SPCC or other spill prevention plan that meet or exceed the requirements of this Part, you may continue to do so and be considered in compliance with these provisions provided you reference the applicable parts of the SPCC or other plans in your SWPPP as required in Part 7.2.6b.viii.
- i.** If any chemical container has a storage capacity of less than 55 gallons:
 - (a) The containers must be water-tight, and must be kept closed, sealed, and secured when not being actively used;
 - (b) If stored outside, use a spill containment pallet or similar device to capture small leaks or spills; and
 - (c) Have a spill kit available on site that is in good working condition (i.e., not damaged, expired, or used up) and ensure personnel are available to respond immediately in the event of a leak or spill.
 - ii.** If any chemical container has a storage capacity of 55 gallons or more:
 - (a) The containers must be water-tight, and must be kept closed, sealed, and secured when not being actively used;
 - (b) Store containers a minimum of 50 feet from receiving waters, constructed or natural site drainage features, and storm drain inlets. If infeasible due to site constraints, store containers as far away from these features as the site permits. If site constraints prevent you from storing containers 50 feet away from receiving waters or the other features identified, you must document in your SWPPP the specific reasons why the 50-foot setback is infeasible, and how you will store containers as far away as the site permits;
 - (c) Provide either (1) cover (e.g., *temporary roofs*) to minimize the exposure of these containers to precipitation and to stormwater, or (2) secondary containment (e.g., *curbing, spill berms, dikes, spill containment pallets, double-wall, above-ground storage tank*); and
 - (d) Have a spill kit available on site that is in good working condition (i.e., not

damaged, expired, or used up) and ensure personnel are available to respond immediately in the event of a leak or spill. Additional secondary containment measures are listed at 40 CFR § 112.7(c)(1).

- iii. Clean up spills immediately, using dry clean-up methods where possible, and dispose of used materials properly. You are prohibited from hosing the area down to clean surfaces or spills. Eliminate the source of the spill to prevent a discharge or a furtherance of an ongoing discharge.
- d. *For hazardous or toxic wastes:*⁵²
 - i. Separate hazardous or toxic waste from construction and domestic waste;
 - ii. Store waste in sealed containers, constructed of suitable materials to prevent leakage and corrosion, and labeled in accordance with applicable Resource Conservation and Recovery Act (RCRA) requirements and all other applicable Federal, State, Tribal, or local requirements;
 - iii. Store all outside containers within appropriately-sized secondary containment (e.g., *spill berms, dikes, spill containment pallets*) to prevent spills from being discharged, or provide a similarly effective means designed to prevent the discharge of pollutants from these areas (e.g., *storing chemicals in a covered area, having a spill kit available on site*);
 - iv. Dispose of hazardous or toxic waste in accordance with the manufacturer's recommended method of disposal and in compliance with Federal, State, Tribal, and local requirements;
 - v. Clean up spills immediately, using dry clean-up methods, and dispose of used materials properly. You are prohibited from hosing the area down to clean surfaces or spills. Eliminate the source of the spill to prevent a discharge or a furtherance of an ongoing discharge; and
 - vi. Follow all other Federal, State, Tribal, and local requirements regarding hazardous or toxic waste.
- e. *For construction and domestic wastes:*⁵³
 - i. Provide waste containers (e.g., *dumpster, trash receptacle*) of sufficient size and number to contain construction and domestic wastes;
 - (a) For waste containers with lids, keep waste container lids closed when not in use, and close lids at the end of the business day and during storm events. For waste containers without lids, provide either (1) cover (e.g., *a tarp, plastic sheeting, temporary roof*) to minimize exposure of wastes to precipitation, or (2) a similarly effective means designed to minimize the discharge of pollutants (e.g., *secondary containment*);
 - (b) On business days, clean up and dispose of waste in designated waste

⁵² Examples of hazardous or toxic waste that may be present at construction sites include paints, caulks, sealants, fluorescent light ballasts, solvents, petroleum-based products, wood preservatives, additives, curing compounds, and acids.

⁵³ Examples of construction and domestic wastes include packaging materials, scrap construction materials, masonry products, timber, pipe and electrical cuttings, plastics, styrofoam, concrete, demolition debris; and other trash or discarded materials.

containers; and

(c) Clean up immediately if containers overflow, and if there is litter elsewhere on the site from escaped trash.

ii. Waste containers are not required for the waste remnant or unused portions of construction materials or final products that are covered by the exception in Part 2.2.3a provided that:

(a) These wastes are stored separately from other construction or domestic wastes addressed by Part 2.3.3e.i (i.e., wastes not covered by the exception in Part 2.3.3a). If the wastes are mixed, they must be stored in waste containers as required in Part 2.3.3e.i; and

(b) These wastes are stored in designated areas of the site, the wastes are described in the SWPPP (see Part 7.2.6b.ix), and identified in the site plan (see Part 7.2.4i).

f. *For sanitary waste*, position portable toilets so they are secure and will not be tipped or knocked over, and are located away from receiving waters, storm drain inlets, and constructed or natural site drainage features.

2.3.4 For washing applicators and containers used for stucco, paint, concrete, form release oils, curing compounds, or other materials:

a. Direct wash water into a leak-proof container or leak-proof and lined pit designed so no overflows can occur due to inadequate sizing or precipitation;

b. Handle washout or cleanout wastes as follows:

i. For liquid wastes:

(a) Do not dump liquid wastes or allow them to enter into constructed or natural site drainage features, storm inlets, or receiving waters;

(b) Do not allow liquid wastes to be disposed of through infiltration or to otherwise be disposed of on the ground;

(c) Comply with applicable State, Tribal, or local requirements for disposal

ii. Remove and dispose of hardened concrete waste consistent with your handling of other construction wastes in Part 2.3.3e; and

c. Locate any washout or cleanout activities as far away as possible from receiving waters, constructed or natural site drainage features, and storm drain inlets, and, to the extent feasible, designate areas to be used for these activities and conduct such activities only in these areas.

2.3.5 For the application of fertilizers:

a. Apply at a rate and in amounts consistent with manufacturer's specifications, or document in the SWPPP departures from the manufacturer specifications where appropriate in accordance with Part 7.2.6b.x;

b. Apply at the appropriate time of year for your location, and preferably timed to coincide as closely as possible to the period of maximum vegetation uptake and growth;

- c. Avoid applying before heavy rains that could cause excess nutrients to be discharged;
- d. Never apply to frozen ground;
- e. Never apply to constructed or natural site drainage features; and
- f. Follow all other Federal, State, Tribal, and local requirements regarding fertilizer application.

2.3.6 Emergency Spill Notification Requirements

Discharges of toxic or hazardous substances from a spill or other release are prohibited, consistent with Part 1.3.5. Where a leak, spill, or other release containing a hazardous substance or oil in an amount equal to or in excess of a reportable quantity established under either 40 CFR part 110, 40 CFR part 117, or 40 CFR part 302 occurs during a 24-hour period, you must notify the National Response Center (NRC) at (800) 424-8802 or, in the Washington, DC metropolitan area, call (202) 267-2675 in accordance with the requirements of 40 CFR part 110, 40 CFR part 117, and 40 CFR part 302 as soon as you have knowledge of the release. You must also, within seven (7) calendar days of knowledge of the release, provide a description of the release, the circumstances leading to the release, and the date of the release. State, Tribal, or local requirements may necessitate additional reporting of spills or discharges to local emergency response, public health, or drinking water supply agencies.

2.4 CONSTRUCTION DEWATERING REQUIREMENTS

Comply with the following requirements to minimize the discharge of pollutants from dewatering⁵⁴ operations.

- 2.4.1** Route dewatering water through a sediment control (e.g., sediment trap or basin, pumped water filter bag) designed to prevent discharges with visual turbidity;⁵⁵
- 2.4.2** Do not discharge visible floating solids or foam;
- 2.4.3** The discharge must not cause the formation of a visible sheen on the water surface, or visible oily deposits on the bottom or shoreline of the receiving water. Use an oil-water separator or suitable filtration device (such as a cartridge filter) designed to remove oil, grease, or other products if dewatering water is found to or expected to contain these materials;
- 2.4.4** To the extent feasible, use well-vegetated (e.g., grassy or wooded), upland areas of the site to infiltrate dewatering water before discharge.⁵⁶ You are prohibited from using receiving waters as part of the treatment area;
- 2.4.5** To prevent dewatering-related erosion and related sediment discharges:
 - a. Use stable, erosion-resistant surfaces (e.g., well-vegetated grassy areas, clean filter stone, geotextile underlayment) to discharge from dewatering controls;

⁵⁴ "Dewatering" is defined in Appendix A as "the act of draining accumulated stormwater and/or ground water from building foundations, vaults, and trenches, or other similar points of accumulation."

⁵⁵ For the purposes of this permit, visual turbidity is present where there is a sediment plume in the discharge or the discharge appears cloudy, or opaque, or has a visible contrast that can be identified by an observer.

⁵⁶ See footnote 19.

- b. Do not place dewatering controls, such as pumped water filter bags, on steep slopes (as defined in Appendix A); and
 - c. At all points where dewatering water is discharged, comply with the velocity dissipation requirements of Part 2.2.11.
- 2.4.6** For backwash water, either haul it away for disposal or return it to the beginning of the treatment process;
- 2.4.7** Replace and clean the filter media used in dewatering devices when the pressure differential equals or exceeds the manufacturer's specifications; and
- 2.4.8** Comply with dewatering-specific inspection requirements in Part 4.

3 WATER QUALITY-BASED EFFLUENT LIMITATIONS

3.1 GENERAL EFFLUENT LIMITATION TO MEET APPLICABLE WATER QUALITY STANDARDS

Discharges must be controlled as necessary to meet applicable water quality standards. Discharges must also comply with any additional State or Tribal requirements that are in Part 9.

In the absence of information demonstrating otherwise, EPA expects that compliance with the conditions in this permit will result in stormwater discharges being controlled as necessary to meet applicable water quality standards. If at any time you become aware, or EPA determines, that discharges are not being controlled as necessary to meet applicable water quality standards, you must take corrective action as required in Parts 5.1 and 5.2, and document the corrective actions as required in Part 5.4.

EPA may insist that you install additional controls (to meet the narrative water quality-based effluent limit above) on a site-specific basis, or require you to obtain coverage under an individual permit, if information in your NOI or from other sources indicates that your discharges are not controlled as necessary to meet applicable water quality standards. This includes situations where additional controls are necessary to comply with a wasteload allocation in an EPA-established or approved TMDL.

If during your coverage under a previous permit, you were required to install and maintain stormwater controls specifically to meet the assumptions and requirements of an EPA-approved or established TMDL (for any parameter) or to otherwise control your discharge to meet water quality standards, you must continue to implement such controls as part of your coverage under this permit.

3.2 WATER QUALITY-BASED CONDITIONS FOR SITES DISCHARGING TO CERTAIN IMPAIRED AND HIGH QUALITY RECEIVING WATERS

For any portion of the site that discharges to a sediment or nutrient-impaired water or to a water that is identified by your State, Tribe, or EPA as Tier 2, Tier 2.5, or Tier 3 for antidegradation purposes,⁵⁷ you must comply with the inspection frequency specified in Part 4.3 and you must comply with the stabilization deadline specified in Part 2.2.14b.iii.⁵⁸

⁵⁷ Refer to Appendix A for definitions of "impaired water" and "Tier 2," "Tier 2.5," and "Tier 3" waters. For assistance in determining whether your site discharges to impaired waters, EPA has developed a tool that is available at <https://www.epa.gov/npdes/epas-stormwater-discharge-mapping-tools>. For assistance in determining whether your site discharges to a Tier 2, 2.5, or 3 water, refer to the list of such waters at <https://www.epa.gov/npdes/construction-general-permit-resources-tools-and-templates>.

⁵⁸ If you qualify for any of the reduced inspection frequencies in Part 4.4, you may conduct inspections in

If you discharge to a water that is impaired for a parameter other than a sediment-related parameter or nutrients, EPA will inform you if any additional controls are necessary for your discharge to be controlled as necessary to meet water quality standards. These controls might include those necessary for your discharge to be consistent with the assumptions of any available wasteload allocation in any applicable TMDL. In addition, EPA may require you to apply for and obtain coverage under an individual NPDES permit.

In addition, on a case-by-case basis, EPA may notify operators of new sites or operators of existing sites with increased discharges that additional analyses, stormwater controls, and/or other measures are necessary to comply with the applicable antidegradation requirements, or notify you that an individual permit application is necessary.

If you discharge to a water that is impaired for polychlorinated biphenyls (PCBs) and are engaging in demolition of any structure with at least 10,000 square feet of floor space built or renovated before January 1, 1980, you must:

- a. Implement controls⁵⁹ to minimize the exposure of PCB-containing building materials, including paint, caulk, and pre-1980 fluorescent lighting fixtures, to precipitation and to stormwater; and
- b. Ensure that disposal of such materials is performed in compliance with applicable State, Federal, and local laws.

3.3 TURBIDITY BENCHMARK MONITORING FOR SITES DISCHARGING DEWATERING WATER TO PROTECT THE WATER QUALITY OF SENSITIVE WATERS

For sites discharging dewatering water to “sensitive waters” (i.e., receiving waters listed as impaired for sediment or a sediment-related parameter (as defined in Appendix A), or receiving waters designated as a Tier 2, Tier 2.5, or Tier 3 for antidegradation purposes) you are required to comply with the benchmark monitoring requirements in this Part and document the procedures you will use at your site in your SWPPP pursuant to Part 7.2.8. A summary of these requirements is included in Table 1.

EPA notes that the benchmark threshold is not an effluent limitation, rather it is an indicator that the dewatering controls may not be working to protect water quality, which the operator must investigate and correct as appropriate. A benchmark exceedance is not a permit violation. However, if a benchmark exceedance triggers corrective action in Part 5.1.5a, failure to conduct any required action is a permit violation.

Where there are multiple operators associated with the same site, the operators may coordinate with one another to carry out the monitoring requirements of this Part in order to avoid duplicating efforts. Such coordinating arrangements must be described in the SWPPP consistent with Part 7.2.8. Regardless of how the operators divide the

accordance with Part 4.4 for any portion of your site that discharges to a sensitive water.

⁵⁹ Examples of controls to minimize exposure of PCBs to precipitation and stormwater include separating work areas from non-work areas and selecting appropriate personal protective equipment and tools, constructing a containment area so that all dust or debris generated by the work remains within the protected area, and using tools that minimize dust and heat (<212°F). For additional information, refer to Part 2.3.3 of the CGP Fact Sheet.

responsibilities for monitoring and reporting, each operator remains responsible for compliance with these requirements.⁶⁰

3.3.1 Turbidity monitoring requirements⁶¹

- a. **Sampling frequency.** You must collect at least one turbidity sample from your dewatering discharge each day a discharge occurs.
- b. **Sampling location.** Samples must be taken at all points where dewatering water is discharged. Samples must be taken after the dewatering water has been treated by installed treatment devices pursuant to Parts 2.4.1 and 2.4.3 and prior to its discharge off site into a receiving water, constructed or natural site drainage feature, or storm drain inlet.
- c. **Representative samples.** Samples taken must be representative of the dewatering discharge for any given day as required in Appendix G (standard permit conditions), Part G.10.2.
- d. **Test methods.** Samples must be measured using a turbidity meter that reports results in nephelometric turbidity units (NTUs) and conforms with a Part 136-approved method (e.g., methods 180.1 and 2130). You are required to use the meter, and conduct a calibration verification prior to each day's use, consistent with the manufacturer's instructions.

3.3.2 Turbidity benchmark

- a. The benchmark threshold for turbidity for this permit is 50 NTUs (referred to elsewhere in this permit as the "standard 50 NTU benchmark") unless EPA has authorized the use of an alternate benchmark in accordance with Part 3.3.2b.
- b. **Request for alternate benchmark threshold.**
 - i. At any time prior to or during your coverage under this permit, you may request that EPA approve a benchmark for your site that is higher than 50 NTUs if you have information demonstrating the higher number is the same as your receiving water's water quality standard for turbidity. Unless EPA approves an alternate benchmark, you will be required to use the standard 50 NTU benchmark. To request approval of an alternate benchmark, you must submit the following information to your applicable EPA Regional Office (see Appendix K):
 - (a) The current turbidity water quality standard that applies to your receiving

⁶⁰ For instance, if Operator A relies on Operator B to meet the Part 3.3.1 turbidity monitoring requirements, the Part 3.3.4 reporting and recordkeeping requirements, and the Part 5.2.2 corrective action provisions when applicable, Operator A does not have to duplicate these same functions if Operator B is implementing them for both operators to be in compliance with the permit. However, Operator A remains responsible for complying with these permit requirements if Operator B fails to take actions that were necessary for Operator A to comply with the permit. See also footnote 83. EPA notes that both Operator A and B are required to submit turbidity monitoring reports as required under Part 3.3.4, however, Operator A's report does not need to include the data collected by Operator B as long as Operator B submits the required data and Operator A's report indicates that it is relying on Operator B to report the data. See Part 3.3.4a.

⁶¹ Operators may find it useful to consult EPA's *Monitoring and Inspection Guide for Construction Dewatering*, available at <https://www.epa.gov/npdes/construction-general-permit-resources-tools-and-templates>, which provides guidelines on how to correctly monitor for turbidity, determine if the weekly average exceeds the benchmark, and, if so, how to proceed with corrective action.

water and the source/citation.⁶²

(b) If the applicable turbidity water quality standard requires information on natural or background turbidity levels (e.g., “no more than 10 NTU above natural turbidity levels”) to determine the specific standard for the receiving water, include available data that can be used to establish the natural turbidity levels of your receiving water (including literature studies or Federal, State, Tribal, or local government data). Data must be representative of the natural turbidity levels of your specific receiving water. Identify the source(s) of all data provided, including if the data are from samples you collected of the receiving water.

- ii. EPA will inform you of its decision on whether to approve the requested alternate benchmark within 30 days. EPA may approve your request, request additional time (e.g., if additional information is needed to substantiate the data you provided), or deny your request. Unless and until EPA approves your request to use an alternate benchmark, you are required to use the standard benchmark of 50 NTUs and take any required corrective actions if an exceedance occurs.

3.3.3 Comparison of turbidity samples to benchmark. Compare the weekly average⁶³ of your turbidity monitoring results to the standard 50 NTU benchmark, or alternate benchmark if approved by EPA.

- a. If the weekly average of your turbidity monitoring results exceeds the standard benchmark (or your approved alternate benchmark), you are required to conduct follow-up corrective action in accordance with Part 5.2.2 and document any corrective action taken in your corrective action log in accordance with Part 5.4.
- b. For averaging purposes, a “monitoring week” starts with a Monday and ends on Sunday. Once a new monitoring week starts, you will need to calculate a new average for that week of turbidity monitoring results.⁶⁴ A weekly average may consist of one or more turbidity monitoring results.
- c. Although you are not required to collect and analyze more than one turbidity sample per day from your dewatering discharge, if you do collect and analyze more than one sample on any given day, you must include any additional results in the

⁶² For instance, if your site is located in Washington, DC, and you are discharging to a Class B water, for which the water quality standard is that turbidity may not increase above ambient levels by more than 20 percent, you would reference “Water Quality Standards for the District of Columbia, Chapter 11, Section 1104.8.”

⁶³ A “weekly average” is defined as the sum of all of the turbidity samples taken during a “monitoring week” divided by the number of samples measured during that week. Average values should be calculated to the nearest whole number.

⁶⁴ For example, if turbidity samples from your dewatering discharge in week 1 result in values of 30 NTU on Tuesday, 40 NTU on Wednesday, and 45 NTU on Thursday, your weekly average turbidity value would be 38.33 NTU $((30+40+45) \div 3 = 38 \text{ NTU})$. If in week 2, your turbidity samples resulted in values of 45 NTU on Monday, 30 NTU on Tuesday, 25 NTU on Wednesday, and 15 NTU on Thursday, you would calculate a new average for that week, which would yield an average turbidity value of 28.75 NTU $((45+30+25+15) \div 4 = 29 \text{ NTU})$. By comparison, if your samples on consecutive days from Friday to Monday were 60 NTU, 45 NTU, 40 NTU, and 43 NTU, respectively, and there are no other dewatering discharges for the remainder of the week, you would calculate one weekly average for the Friday to Sunday to be 48 NTU $((60+45+40) \div 3 = 48 \text{ NTU})$, and a separate weekly average for the one Monday to be 43 NTU $(43 \div 1 = 43 \text{ NTU})$.

calculation of your weekly average (i.e., add all individual results for that monitoring week and divide by the total number of samples).⁶⁵

- d. If you are conducting turbidity monitoring for more than one dewatering discharge point, you must calculate a weekly average turbidity value for each discharge point and compare each to the turbidity benchmark.

3.3.4 Reporting and recordkeeping.

- a. You must submit reports of your weekly average turbidity data to EPA no later than 30 days following the end of each monitoring quarter. If there are monitoring weeks in which there was no dewatering discharge, or if there is a monitoring quarter with no dewatering discharge, indicate this in your turbidity monitoring report. If another operator associated with your same site is conducting turbidity monitoring on your behalf pursuant to Part 3.3, indicate this in your turbidity monitoring report.
- b. For the purposes of this permit, the following monitoring quarters and reporting deadlines apply:

Table 3. Monitoring Quarters and Deadlines for Reporting Turbidity Benchmark Monitoring Data.

| Monitoring Quarter # | Months | Reporting Deadline (no later than 30 days after end of the monitoring quarter) |
|----------------------|-------------------------|--|
| 1 | January 1 – March 31 | April 30 |
| 2 | April 1 – June 30 | July 30 |
| 3 | July 1 – September 30 | October 30 |
| 4 | October 1 – December 31 | January 30 |

- c. You must use EPA's NPDES eReporting Tool (NeT) to electronically submit your quarterly turbidity data, unless, consistent with Part 1.4.2, you received a waiver from your applicable EPA Regional Office. If the EPA Regional Office grants you approval to use a paper turbidity monitoring report form, and you elect to use it, you must complete the form in Appendix K. If EPA approves of your request to use an alternate turbidity benchmark pursuant to Part 3.3.2b, EPA will substitute the alternate benchmark in your NeT account.
- d. For each day in which you are required to monitor, you must record the monitoring information required by Appendix G, Parts G.10.2 and G.10.3 and retain all such information for a period of at least three years from the date this permit expires or from the date your authorization is terminated.

⁶⁵ For example, if during a monitoring week you take two turbidity samples on Tuesday with a value of 30 NTU and 35 NTU, three samples on Wednesday with a value of 40 NTU, 45 NTU, and 48 NTU, and one sample on Thursday with a value of 45 NTU, your weekly average turbidity value for this week would be 41 NTU ((30+35+40+45+48+45) ÷ 6 = 41 NTU).

Table 4. Summary of Turbidity Benchmark Monitoring Requirements.

| Applicability | Sampling Requirement | Turbidity Benchmark | Corrective Action | Reporting |
|---|---|--|---|--|
| Sites discharging dewatering water to a sediment-impaired water or to a water designated as a Tier 2, Tier 2.5, or Tier 3 for antidegradation purposes. | Collect at least one turbidity sample per day, from each discharge point, on any day there is a dewatering discharge. Use turbidity sampling procedures specified in Part 3.3.1. | Compare the weekly average of your turbidity monitoring results to the 50 NTU benchmark (or alternate benchmark if approved by EPA). | If the weekly average of turbidity monitoring results exceeds the 50 NTU turbidity benchmark (or alternate benchmark if approved by EPA), you are required to take follow-up corrective action in accordance with Part 5.2.2. | Report all weekly average turbidity monitoring results on a quarterly basis via NeT-CGP (unless use of the paper monitoring form in Appendix K is approved by EPA) no later than 30 days following the end of each monitoring quarter. |

4 INSPECTION REQUIREMENTS

4.1 PERSON(S) RESPONSIBLE FOR CONDUCTING SITE AND DEWATERING INSPECTIONS

The person(s) inspecting your site may be a person on your staff or a third party you hire to conduct such inspections. You are responsible for ensuring that any person conducting inspections pursuant to this Part is a “qualified person.” A qualified person is someone who has completed the training required by Part 6.3.

4.2 FREQUENCY OF INSPECTIONS.⁶⁶

At a minimum, you must conduct a site inspection in accordance with one of the two schedules listed below, unless you are subject to the Part 4.3 site inspection frequency for discharges to sediment or nutrient-impaired or high quality waters, or qualify for a Part 4.4 reduction in the inspection frequency:

4.2.1 At least once every seven (7) calendar days; or

4.2.2 Once every 14 calendar days *and* within 24 hours⁶⁷ of the occurrence of:

- a.** A storm event that produces 0.25 inches or more of rain within a 24-hour period.
 - i.** If a storm event produces 0.25 inches or more of rain within a 24-hour period (including when there are multiple, smaller storms that alone produce less than 0.25 inches but together produce 0.25 inches or more in 24 hours), you are required to conduct one inspection within 24 hours of when 0.25 inches of rain or more has fallen.

⁶⁶ Inspections are only required during the site’s normal working hours.

⁶⁷ For the purposes of the inspection requirements in this Part, conducting an inspection “within 24 hours” means that once either of the two conditions in Parts 4.2.2a or 4.2.2b are met you have 24 hours from that time to conduct an inspection. For clarification, the 24 hours is counted as a continuous passage of time, and not counted by business hours (e.g., 3 business days of 8 hours each). When the 24-hour inspection time frame occurs entirely outside of normal working hours, you must conduct an inspection by no later than the end of the next business day.

- ii. If a storm event produces 0.25 inches or more of rain within a 24-hour period on the first day of a storm and continues to produce 0.25 inches or more of rain on subsequent days, you must conduct an inspection within 24 hours of the first day of the storm and within 24 hours after the last day of the storm that produces 0.25 inches or more of rain (i.e., only two inspections would be required for such a storm event).⁶⁸
 - b. A discharge caused by snowmelt from a storm event that produces 3.25 inches⁶⁹ or more of snow within a 24-hour period. You are required to conduct one inspection once the discharge of snowmelt from a 3.25-inch or more snow accumulation occurs. Additional snowmelt inspections are only required if following the discharge from the first snowmelt, there is a discharge from a separate storm event that produces 3.25 inches or more of snow.
- 4.2.3** To determine whether a storm event meets either of the thresholds in Parts 4.2.2a or 4.2.2b:
- a. For rain, you must either keep a properly maintained rain gauge on your site, or obtain the storm event information from a weather station that is representative of your location. For any 24-hour period during which there is 0.25 inches or more of rainfall, you must record the total rainfall measured for that day in accordance with Part 4.7.1d.
 - b. For snow, you must either take measurements of snowfall at your site,⁷⁰ or rely on similar information from a local weather forecasting provider that is representative of your location.

4.3 INCREASE IN INSPECTION FREQUENCY FOR CERTAIN SITES.

The increased inspection frequencies established in this Part take the place of the Part 4.2 inspection frequencies for the portion of the site affected.

- 4.3.1 For any portion of the site that discharges to a sediment or nutrient-impaired water or to a water that is identified by your State, Tribe, or EPA as Tier 2, Tier 2.5, or Tier 3 for antidegradation purposes (see Part 3.2),** you must conduct an once every seven (7) calendar days *and* within 24 hours of the occurrence of a storm event that produces 0.25 inches or more of rain within a 24-hour period, or within 24 hours of a snowmelt discharge from a storm event that produces 3.25 inches or more of snow within a 24-hour period.

⁶⁸ For example, if 0.30 inches of rain falls on Day 1, 0.25 inches of rain falls on Day 2, and 0.10 inches of rain fall on Day 3, you would be required to conduct a first inspection within 24 hours of the Day 1 rainfall and a second inspection within 24 hours of the Day 2 rainfall, but a third inspection would not be required within 24 hours of the Day 3 rainfall.

⁶⁹ This is the amount of snow that is equivalent to 0.25 inches of rain, based on information from the National Oceanic and Atmospheric Administration (NOAA) indicating that 13 inches of snow is, on average, equivalent to 1 inch of rain. See <https://www.nssl.noaa.gov/education/svrwx101/winter/faq/>.

⁷⁰ For snowfall measurements, EPA suggests use of NOAA's National Weather Service guidelines at https://www.weather.gov/jkl/snow_measurement. These guidelines recommend use of a "snowboard" (a piece of wood about 16 inches by 16 inches) that is placed in an unobstructed part of the site on a hard surface.

Refer to Parts 4.2.3a and 4.2.3b for the requirements to determine if a storm event produces enough rain or snow to trigger the inspection requirement.

4.3.2 For sites discharging dewatering water, you must conduct an inspection in accordance with Part 4.6.3 during the discharge once per day on which the discharge occurs. The Part 4.2 inspection frequency still applies to all other portions of the site, unless the site is affected by either the increased frequency in Part 4.3.1 or the reduced frequency in Part 4.4.

4.4 REDUCTIONS IN INSPECTION FREQUENCY

4.4.1 Stabilized areas.

a. You may reduce the frequency of inspections to twice per month for the first month, no more than 14 calendar days apart, then once per month until permit coverage is terminated consistent with Part 8 in any area of your site where the stabilization steps in Part 2.2.14a have been completed. If construction activity resumes in this portion of the site at a later date, the inspection frequency immediately increases to that required in Parts 4.2 and 4.3, as applicable. You must document the beginning and ending dates of this period in your SWPPP.

b. Exception. For “linear construction sites” (as defined in Appendix A) where disturbed portions have undergone final stabilization at the same time active construction continues on others, you may reduce the frequency of inspections to twice per month for the first month, no more than 14 calendar days apart, in any area of your site where the stabilization steps in Part 2.2.14a have been completed. After the first month, inspect once more within 24 hours of the occurrence of a storm event that produces 0.25 inches of rain or more within a 24-hour period, or within 24 hours of a snowmelt discharge from a storm event that produces 3.25 inches or more of snow within a 24-hour period. If there are no issues or evidence of stabilization problems, you may suspend further inspections. If “wash-out” of stabilization materials and/or sediment is observed, following re-stabilization, inspections must resume at the inspection frequency required in Part 4.4.1a. Inspections must continue until final stabilization is visually confirmed following a storm event that produces 0.25 inches of rain or more within a 24-hour period.

4.4.2 Arid, semi-arid, or drought-stricken areas (as defined in Appendix A). If it is the seasonally dry period⁷¹ or a period in which drought is occurring, you may reduce the frequency of inspections to once per month and within 24 hours of the occurrence of a storm event that produces 0.25 inches of rain or more within a 24-hour period, or within 24 hours of a snowmelt discharge from a storm event that produces 3.25 inches or more of snow within a 24-hour period. You must document that you are using this reduced schedule and the beginning and ending dates of the seasonally dry period in your SWPPP. Follow the procedures in Part 4.2.3a and 4.2.3b, accordingly, to determine if a storm event occurs that produces 0.25 inches or more of rain or 3.25 inches or more of snow within a 24-hour period. For any 24-hour period during which there is 0.25 inches or more of rainfall, or 3.25 inches or more of snow, you must record the total rainfall or snow measured for that day in accordance with Part 4.7.1d.

⁷¹ See footnote 44.

4.4.3 Frozen conditions:

- a.** If you are suspending construction activities due to frozen conditions, you may temporarily suspend inspections on your site until thawing conditions (as defined in Appendix A) begin to occur if:
 - i.** Discharges are unlikely due to continuous frozen conditions that are likely to continue at your site for at least three (3) months based on historic seasonal averages.⁷² If unexpected weather conditions (such as above freezing temperatures or rain events) make discharges likely, you must immediately resume your regular inspection frequency as described in Parts 4.2 and 4.3, as applicable;
 - ii.** Land disturbances have been suspended; and
 - iii.** All disturbed areas of the site have been stabilized in accordance with Part 2.2.14a.
- b.** If you are still conducting construction activities during frozen conditions, you may reduce your inspection frequency to once per month if:
 - i.** Discharges are unlikely due to continuous frozen conditions that are likely to continue at your site for at least three (3) months based on historic seasonal averages. If unexpected weather conditions (such as above freezing temperatures or rain events) make discharges likely, you must immediately resume your regular inspection frequency as described in Parts 4.2 and 4.3, as applicable; and
 - ii.** Except for areas in which you are actively conducting construction activities, disturbed areas of the site have been stabilized in accordance with Part 2.2.14a.

You must document the beginning and ending dates of this period in your SWPPP.

4.5 AREAS THAT MUST BE INSPECTED

During your site inspection, you must at a minimum inspect the following areas of your site:

- 4.5.1** All areas that have been cleared, graded, or excavated and that have not yet completed stabilization consistent with Part 2.2.14a;
- 4.5.2** All stormwater controls, including pollution prevention controls, installed at the site to comply with this permit;⁷³
- 4.5.3** Material, waste, borrow, and equipment storage and maintenance areas that are covered by this permit;
- 4.5.4** All areas where stormwater typically flows within the site, including constructed or natural site drainage features designed to divert, convey, and/or treat stormwater;
- 4.5.5** All areas where construction dewatering is taking place, including controls to treat the dewatering discharge and any channelized flow of water to and from those controls;

⁷² Use data sets that include the most recent data available to account for recent precipitation patterns and trends.

⁷³ This includes the requirement to inspect for sediment that has been tracked out from the site onto paved roads, sidewalks, or other paved areas consistent with Part 2.2.4.

4.5.6 All points of discharge from the site; and

4.5.7 All locations where stabilization measures have been implemented.

You are not required to inspect areas that, at the time of the inspection, are considered unsafe to your inspection personnel.

4.6 REQUIREMENTS FOR INSPECTIONS

4.6.1 During each site inspection, you must at a minimum:

- a.** Check whether all stormwater controls (*i.e., erosion and sediment controls and pollution prevention controls*) are properly installed, appear to be operational, and are working as intended to minimize pollutant discharges.
- b.** Check for the presence of conditions that could lead to spills, leaks, or other accumulations of pollutants on the site.
- c.** Identify any locations where new or modified stormwater controls are necessary to meet the requirements of Parts 2 and/or 3.
- d.** Check for signs of visible erosion and sedimentation (*i.e., sediment deposits*) that have occurred and are attributable to your discharge at points of discharge and, if applicable, on the banks of any receiving waters flowing within or immediately adjacent to the site;
- e.** Check for signs of sediment deposition that are visible from your site and attributable to your discharge (e.g., sand bars with no vegetation growing on top in receiving waters or in other constructed or natural site drainage features, or the buildup of sediment deposits on nearby streets, curbs, or open conveyance channels).
- f.** Identify any incidents of noncompliance observed.

4.6.2 If a discharge is occurring during your inspection:

- a.** Identify all discharge points at the site; and
- b.** Observe and document the visual quality of the discharge, and take note of the characteristics of the stormwater discharge, including color; odor; floating, settled, or suspended solids; foam; oil sheen; and other indicators of stormwater pollutants. Check also for signs of these same pollutant characteristics that are visible from your site and attributable to your discharge in receiving waters or in other constructed or natural site drainage features.

4.6.3 For dewatering inspections conducted pursuant to Parts 4.3.2, record the following in a report within 24 hours of completing the inspection:

- a.** The inspection date;
- b.** Names and titles of personnel making the inspection;
- c.** Approximate times that the dewatering discharge began and ended on the day of inspection;⁷⁴
- d.** Estimates of the rate (in gallons per day) of discharge on the day of inspection;

⁷⁴ If the dewatering discharge is a continuous discharge that continues after normal business hours, indicate that the discharge is continuous.

- e. Whether or not any of the following indications of pollutant discharge were observed at the point of discharge to any receiving waters flowing through or immediately adjacent to the site and/or to constructed or natural site drainage features or storm drain inlets:⁷⁵
 - i. a sediment plume, suspended solids, unusual color, presence of odor, decreased clarity, or presence of foam; and/or
 - ii. a visible sheen on the water surface or visible oily deposits on the bottom or shoreline of the receiving water; and
- f. Photographs of (1) the dewatering water prior to treatment by a dewatering control(s) and the final discharge after treatment; (2) the dewatering control(s); and (3) the point of discharge to any receiving waters flowing through or immediately adjacent to the site and/or to constructed or natural site drainage features, storm drain inlets, and other conveyances to receiving waters.

You must also comply with the Part 4.7.2, 4.7.3, and 4.7.4 requirements for signing the reports, keeping them available on site, and retaining copies.

4.6.4 Based on the results of your inspection:

- a. Complete any necessary maintenance repairs or replacements under Part 2.1.4 or under Part 5, whichever applies; and
- b. Modify your SWPPP site map in accordance with Part 7.4.1 to reflect changes to your stormwater controls that are no longer accurately reflected on the current site map.

4.7 INSPECTION REPORT

4.7.1 You must complete an inspection report within 24 hours of completing any site inspection. Each inspection report (except for dewatering inspection reports, which are covered in Part 4.6.3) must include the following:

- a. The inspection date;
- b. Names and titles of personnel making the inspection;
- c. A summary of your inspection findings, covering at a minimum the observations you made in accordance with Part 4.6, including any problems found during your inspection that make it necessary to perform routine maintenance pursuant to Part 2.1.4b or corrective action pursuant to Part 5. Include also any documentation as to why the corrective action procedures under Part 5 are unnecessary to fix a problem that repeatedly occurs as described in Part 2.1.4c;
- d. If you are inspecting your site at the frequency specified in Part 4.2.2, Part 4.3, or Part 4.4.1b, and you conducted an inspection because of a storm event that produced rainfall measuring 0.25 inches or more within a 24-hour period, you must include the applicable rain gauge or weather station readings that triggered the inspection. Similarly, if you conducted an inspection because of a snowmelt discharge from a storm event that produced 3.25 inches or more of snow within a 24-hour period, you must include any measurements taken of snowfall at your site, or weather station information you relied on; and

⁷⁵ If the operator observes any of these indicators of pollutant discharge, corrective action is required consistent with Parts 5.1.5b and 5.2.2.

- e. If you determined that it is unsafe to inspect a portion of your site, you must describe the reason you found it to be unsafe and specify the locations to which this condition applies.

4.7.2 Each inspection report must be signed by the operator's signatory in accordance with Appendix G, Part G.11 of this permit.

4.7.3 You must keep a copy of all inspection reports at the site or at an easily accessible location, so that it can be made immediately available at the time of an on-site inspection or upon request by EPA.⁷⁶

4.7.4 You must retain all inspection reports completed for this Part for at least three (3) years from the date that your permit coverage expires or is terminated.

4.8 INSPECTIONS BY EPA

You must allow EPA, or an authorized representative of EPA, to conduct the following activities at reasonable times. To the extent that you are utilizing shared controls, that are not on site, to comply with this permit, you must make arrangements for EPA to have access at all reasonable times to those areas where the shared controls are located.

4.8.1 Enter onto all areas of the site, including any construction support activity areas covered by this permit, any off-site areas where shared controls are utilized to comply with this permit, discharge locations, adjoining waterbodies, and locations where records are kept under the conditions of this permit;

4.8.2 Access and copy any records that must be kept under the conditions of this permit;

4.8.3 Inspect your construction site, including any construction support activity areas covered by this permit (see Part 1.2.1c), any stormwater controls installed and maintained at the site, and any off-site shared controls utilized to comply with this permit; and

4.8.4 Sample or monitor for the purpose of ensuring compliance.

5 CORRECTIVE ACTIONS

5.1 CONDITIONS TRIGGERING CORRECTIVE ACTION.

You must take corrective action to address any of the following conditions identified at your site:

5.1.1 A stormwater control needs a significant repair or a new or replacement control is needed, or, in accordance with Part 2.1.4c, you find it necessary to repeatedly (i.e., three (3) or more times) conduct the same routine maintenance fix to the same control at the same location (unless you document in your inspection report under Part 4.7.1c that the specific reoccurrence of this same problem should still be addressed as a routine maintenance fix under Part 2.1.4); or

5.1.2 A stormwater control necessary to comply with the requirements of this permit was never installed, or was installed incorrectly; or

⁷⁶ Inspection reports may be prepared, signed, and kept electronically, rather than in paper form, if the records are: (a) in a format that can be read in a similar manner as a paper record; (b) legally dependable with no less evidentiary value than their paper equivalent; and (c) immediately accessible to the inspector during an inspection to the same extent as a paper copy stored at the site would be, if the records were stored in paper form. For additional guidance on the proper practices to follow for the electronic retention of inspection report records, refer to the Fact Sheet discussion related to Part 4.7.3.

- 5.1.3** Your discharges are not meeting applicable water quality standards;
- 5.1.4** A prohibited discharge has occurred (see Part 1.3); or
- 5.1.5** During discharge from site dewatering activities:
 - a.** The weekly average of your turbidity monitoring results exceeds the 50 NTU benchmark (or alternate benchmark if approved by EPA pursuant to Part 3.3.2b); or
 - b.** You observe or you are informed by EPA, State, or local authorities of the presence of the conditions specified in Part 4.6.3e.

5.2 CORRECTIVE ACTION DEADLINES

- 5.2.1** If responding to any of the Part 5.1.1, 5.1.2, 5.1.3, or 5.1.4 triggering conditions, you must:
 - a.** Immediately take all reasonable steps to address the condition, including cleaning up any contaminated surfaces so the material will not discharge in subsequent storm events; and
 - b.** When the problem does not require a new or replacement control or significant repair, the corrective action must be completed by the close of the next business day; or
 - c.** When the problem requires a new or replacement control or significant repair, install the new or modified control and make it operational, or complete the repair, by no later than seven (7) calendar days from the time of discovery. If it is infeasible to complete the installation or repair within seven (7) calendar days, you must document in your records why it is infeasible to complete the installation or repair within the 7-day timeframe and document your schedule for installing the stormwater control(s) and making it operational as soon as feasible after the 7-day timeframe. Where these actions result in changes to any of the stormwater controls or procedures documented in your SWPPP, you must modify your SWPPP accordingly within seven (7) calendar days of completing this work.
- 5.2.2** If responding to either of the Part 5.1.5 triggering conditions related to site dewatering activities, you must:
 - a.** Immediately take all reasonable steps to minimize or prevent the discharge of pollutants until you can implement a solution, including shutting off the dewatering discharge as soon as possible depending on the severity of the condition⁷⁷ taking safety considerations into account;
 - b.** Determine whether the dewatering controls are operating effectively and whether they are causing the conditions; and
 - c.** Make any necessary adjustments, repairs, or replacements to the dewatering controls to lower the turbidity levels below the benchmark or remove the visible plume or sheen.

⁷⁷ For instance, if the weekly average of your turbidity monitoring results or a single sample is extremely high (e.g., a single turbidity sample results in 355 NTUs or higher), you should take action to safely shut off the discharge so that you can evaluate the cause of the high turbidity. Note: A single turbidity sample of 355 NTUs or higher means that the weekly average turbidity value will exceed 50 NTU regardless of the turbidity values the other days during the week.

When you have completed these steps and made any changes deemed necessary, you may resume discharging from your dewatering activities.

5.3 CORRECTIVE ACTION REQUIRED BY EPA

You must comply with any corrective actions required by EPA as a result of permit violations found during an inspection carried out under Part 4.8.

5.4 CORRECTIVE ACTION LOG

5.4.1 For each corrective action taken in accordance with this Part, you must record the following in a corrective action log:

- a.** Within 24 hours of identifying the corrective action condition, document the specific condition and the date and time it was identified.
- b.** Within 24 hours of completing the corrective action (in accordance with the deadlines in Part 5.2), document the actions taken to address the condition, including whether any SWPPP modifications are required.

5.4.2 Each entry into the corrective action log, consisting of the information required by both Parts 5.4.1a and 5.4.1b, must be signed by the operator's signatory in accordance with Appendix G, Part G.11.2 of this permit.

5.4.3 You must keep a copy of the corrective action log at the site or at an easily accessible location, so that it can be made immediately available at the time of an on-site inspection or upon request by EPA.⁷⁸

5.4.4 You must retain the corrective action log for at least three (3) years from the date that your permit coverage expires or is terminated.

6 STORMWATER TEAM FORMATION/STAFF TRAINING REQUIREMENTS

6.1 STORMWATER TEAM

Each operator, or group of multiple operators, must assemble a "stormwater team" that will be responsible for carrying out activities necessary to comply with this permit. The stormwater team must include the following people:

- a.** Personnel who are responsible for the design, installation, maintenance, and/or repair of stormwater controls (including pollution prevention controls);
- b.** Personnel responsible for the application and storage of treatment chemicals (if applicable);
- c.** Personnel who are responsible for conducting inspections as required in Part 4.1; and
- d.** Personnel who are responsible for taking corrective actions as required in Part 5.

Members of the stormwater team must be identified in the SWPPP pursuant to Part 7.2.2.

⁷⁸ The corrective action log may be prepared, signed, and kept electronically, rather than in paper form, if the records are: (a) in a format that can be read in a similar manner as a paper record; (b) legally dependable with no less evidentiary value than their paper equivalent; and (c) immediately accessible to the inspector during an inspection to the same extent as a paper copy stored at the site would be, if the records were stored in paper form. For additional guidance on the proper practices to follow for the electronic retention of corrective action log records, refer to the Fact Sheet discussion related to Part 4.7.3.

6.2 GENERAL TRAINING REQUIREMENTS FOR STORMWATER TEAM MEMBERS

Prior to the commencement of construction activities, you must ensure that all persons⁷⁹ assigned to the stormwater team understand the requirements of this permit and their specific responsibilities with respect to those requirements, including the following related to the scope of their job duties:

- a. The permit requirements and deadlines associated with installation, maintenance, and removal of stormwater controls, as well as site stabilization;
- b. The location of all stormwater controls on the site required by this permit and how they are to be maintained;
- c. The proper procedures to follow with respect to the permit's pollution prevention requirements; and
- d. When and how to conduct inspections, record applicable findings, and take corrective actions. Specific training requirements for persons conducting site inspections are included in Part 6.3.

You are responsible for ensuring that all activities on the site comply with the requirements of this permit. You are not required to provide or document formal training for subcontractors or other outside service providers (unless the subcontractors or outside service providers are responsible for conducting the inspections required in Part 4, in which case you must provide such documentation consistent with Part 7.2.2), but you must ensure that such personnel understand any requirements of this permit that may be affected by the work they are subcontracted to perform.

6.3 TRAINING REQUIREMENTS FOR PERSONS CONDUCTING INSPECTIONS

For projects that receive coverage under this permit on or after February 17, 2023, to be considered a qualified person under Part 4.1 for conducting inspections under Part 4, you must, at a minimum, either:

- a. Have completed the EPA construction inspection course developed for this permit and have passed the exam; or
- b. Hold a current valid construction inspection certification or license from a program that, at a minimum, covers the following:⁸⁰
 - i. Principles and practices of erosion and sediment control and pollution prevention practices at construction sites;
 - ii. Proper installation and maintenance of erosion and sediment controls and pollution prevention practices used at construction sites; and
 - iii. Performance of inspections, including the proper completion of required reports and documentation, consistent with the requirements of Part 4.

⁷⁹ If the person requiring training is a new employee who starts after you commence construction activities, you must ensure that this person has the proper understanding as required above prior to assuming particular responsibilities related to compliance with this permit. For emergency-related projects, the requirement to train personnel prior to commencement of construction activities does not apply, however, such personnel must have the required training prior to NOI submission.

⁸⁰ If one of the following topics (e.g., installation and maintenance of pollution prevention practices) is not covered by the non-EPA training program, you may consider supplementing the training with the analogous module of the EPA course (e.g., Module 4) that covers the missing topic.

For projects that receive coverage under this permit prior to February 17, 2023, any personnel conducting site inspections pursuant to Part 4 on your site must, at a minimum, be a person knowledgeable in the principles and practice of erosion and sediment controls and pollution prevention, who possesses the appropriate skills and training to assess conditions at the construction site that could impact stormwater quality, and the appropriate skills and training to assess the effectiveness of any stormwater controls selected and installed to meet the requirements of this permit.⁸¹

6.4 STORMWATER TEAM'S ACCESS TO PERMIT DOCUMENTS

Each member of the stormwater team must have easy access to an electronic or paper copy of applicable portions of this permit, the most updated copy of your SWPPP, and other relevant documents or information that must be kept with the SWPPP.

7 STORMWATER POLLUTION PREVENTION PLAN (SWPPP)

7.1 GENERAL REQUIREMENTS

All operators associated with a construction site under this permit must develop a SWPPP consistent with the requirements in Part 7 prior to their submittal of the NOI.^{82, 83, 84} The SWPPP must be kept up-to-date throughout coverage under this permit.

If a SWPPP was prepared under a previous version of this permit, the operator must review and update the SWPPP to ensure that this permit's requirements are addressed prior to submitting an NOI for coverage under this permit.

7.2 SWPPP CONTENTS

At a minimum, the SWPPP must include the information specified in this Part and as specified in other parts of this permit.

7.2.1 All Site Operators. Include a list of all other operators who will be engaged in construction activities at the site, and the areas of the site over which each operator has control.

⁸¹ If you receive coverage for a project prior to February 17, 2023, and construction activities for the same project will continue after February 17, 2023, the personnel conducting inspections do not need to take the additional training specified in Parts 6.3a and 6.3b for inspections conducted on the project site. If the same operator obtains coverage for a different project on or after February 17, 2023, personnel conducting inspections would be required to meet the requirements for a qualified person by completing the training in either Part 6.3a or Part 6.3b.

⁸² The SWPPP does not establish the effluent limits and/or other permit terms and conditions that apply to your site's discharges; these limits, terms, and conditions are established in this permit.

⁸³ Where there are multiple operators associated with the same site, they may develop a group SWPPP instead of multiple individual SWPPPs. Regardless of whether there is a group SWPPP or multiple individual SWPPPs, each operator is responsible for compliance with the permit's terms and conditions. In other words, if Operator A relies on Operator B to satisfy its permit obligations, Operator A does not have to duplicate those permit-related functions if Operator B is implementing them such that both operators are in compliance with the permit. However, Operator A remains responsible for permit compliance if Operator B fails to take actions necessary for Operator A to comply with the permit. In addition, all operators must ensure, either directly or through coordination with other operators, that their activities do not cause a violation or compromise any other operators' controls and/or any shared controls. See also footnote 60.

⁸⁴ There are a number of commercially available products to assist operators in developing the SWPPP, as well as companies that can be hired to help develop a site-specific SWPPP. The permit does not state which are recommended, nor does EPA endorse any specific products or vendors. Where operators choose to rely on these products or services, the choice of which ones to use to comply with the requirements of this Part is a decision for the operator alone.

7.2.2 Stormwater Team. Identify the personnel (by name and position) that you have made part of the stormwater team pursuant to Part 6.1, as well as their individual responsibilities, including which members are responsible for conducting inspections.

Include verification that each member of the stormwater team has received the training required by Part 6.2. Include documentation that members of the stormwater team responsible for conducting inspections pursuant to Part 4 have received the training required by Part 6.3. If personnel on your team elect to complete the EPA inspector training program pursuant to Part 6.3a, you must include copies of the certificate showing that the relevant personnel have completed the training and passed the exam. If personnel on your team elect to complete a non-EPA inspector training program pursuant to Part 6.3b, you must include documentation showing that these persons have successfully completed the program and their certification or license is still current. You must also confirm that the non-EPA inspector training program satisfies the minimum elements for such programs in Part 6.3b.

7.2.3 Nature of Construction Activities. Include the following:

- a. A description of the nature of your construction activities, including the age or dates of past renovations for structures that are undergoing demolition;
- b. The size of the property (in acres or length in miles if a linear construction site);
- c. The total area expected to be disturbed by the construction activities (to the nearest quarter acre or nearest quarter mile if a linear construction site);
- d. A description of any on-site and off-site construction support activity areas covered by this permit (see Part 1.2.1c);
- e. The maximum area expected to be disturbed at any one time, including on-site and off-site construction support activity areas;
- f. A description and projected schedule for the following:⁸⁵
 - i. Commencement of construction activities in each portion of the site, including clearing and grubbing, mass grading, demolition activities, site preparation (i.e., excavating, cutting and filling), final grading, and creation of soil and vegetation stockpiles requiring stabilization;
 - ii. Temporary or permanent cessation of construction activities in each portion of the site;
 - iii. Temporary or final stabilization of exposed areas for each portion of the site; and
 - iv. Removal of temporary stormwater controls and construction equipment or vehicles, and the cessation of construction-related pollutant-generating activities.

⁸⁵ If plans change due to unforeseen circumstances or for other reasons, the requirement to describe the sequence and estimated dates of construction activities is not meant to "lock in" the operator to meeting these dates. When departures from initial projections are necessary, this should be documented in the SWPPP itself, or in associated records, as appropriate.

- g.** A list and description of all pollutant-generating activities⁸⁶ on the site. For each pollutant-generating activity, include an inventory of pollutants or pollutant constituents (e.g., *sediment, fertilizers, pesticides, paints, caulks, sealants, fluorescent light ballasts, contaminated substrates, solvents, fuels*) associated with that activity, which could be discharged in stormwater from your construction site. You must take into account where potential spills and leaks could occur that contribute pollutants to stormwater discharges, and any known hazardous or toxic substances, such as PCBs and asbestos, that will be disturbed or removed during construction;
- h.** Business days and hours for the project;
- i.** If you are conducting construction activities in response to a public emergency (see Part 1.4), a description of the cause of the public emergency (e.g., *mud slides, earthquake, extreme flooding conditions, widespread disruption in essential public services*), information substantiating its occurrence (e.g., *State disaster declaration or similar State or local declaration*), and a description of the construction necessary to reestablish affected public services.

7.2.4 Site Map. Include a legible map, or series of maps, showing the following features of the site:

- a.** Boundaries of the property;
- b.** Locations where construction activities will occur, including:
 - i.** Locations where earth-disturbing activities will occur (note any phasing), including any demolition activities;
 - ii.** Approximate slopes before and after major grading activities (note any steep slopes (as defined in Appendix A));
 - iii.** Locations where sediment, soil, or other construction materials will be stockpiled;
 - iv.** Any receiving water crossings;
 - v.** Designated points where vehicles will exit onto paved roads;
 - vi.** Locations of structures and other impervious surfaces upon completion of construction; and
 - vii.** Locations of on-site and off-site construction support activity areas covered by this permit (see Part 1.2.1c).
- c.** Locations of any receiving waters within the site and all receiving waters within one mile downstream of the site's discharge point(s). Also identify if any of these receiving waters are listed as impaired or are identified as a Tier 2, Tier 2.5, or Tier 3 water;
- d.** Any areas of Federally listed critical habitat within the action area of the site as defined in Appendix A;
- e.** Type and extent of pre-construction cover on the site (e.g., vegetative cover, forest, pasture, pavement, structures);
- f.** Drainage patterns of stormwater and authorized non-stormwater before and after major grading activities;

⁸⁶ Examples of pollutant-generating activities include paving operations; concrete, paint, and stucco washout and waste disposal; solid waste storage and disposal; and dewatering activities.

- g.** Stormwater and authorized non-stormwater discharge locations, including:
 - i.** Locations where stormwater and/or authorized non-stormwater will be discharged to storm drain inlets, including a notation of whether the inlet conveys stormwater to a sediment basin, sediment trap, or similarly effective control;⁸⁷
 - ii.** Locations where stormwater or authorized non-stormwater will be discharged directly to receiving waters (i.e., not via a storm drain inlet); and
 - iii.** Locations where turbidity benchmark monitoring will take place to comply with Part 3.3, if applicable to your site.
- h.** Locations of all potential pollutant-generating activities identified in Part 7.2.3g;
- i.** Designated areas where construction wastes that are covered by the exception in Part 2.3.3e.ii because they are not pollutant-generating will be stored;
- j.** Locations of stormwater controls, including natural buffer areas and any shared controls utilized to comply with this permit; and
- k.** Locations where polymers, flocculants, or other treatment chemicals will be used and stored.

7.2.5 Non-Stormwater Discharges. Identify all authorized non-stormwater discharges in Part 1.2.2 that will or may occur.

7.2.6 Description of Stormwater Controls.

- a.** For each of the Part 2.2 erosion and sediment control requirements, Part 2.3 pollution prevention requirements, and Part 2.4 construction dewatering requirements, as applicable to your site, you must include the following:
 - i.** A description of the specific control(s) to be implemented to meet these requirements;
 - ii.** The design specifications for controls described in Part 7.2.6a.i (including references to any manufacturer specifications and/or erosion and sediment control manuals/ordinances relied upon);⁸⁸
 - iii.** Routine stormwater control maintenance specifications; and
 - iv.** The projected schedule for stormwater control installation/implementation.
- b.** You must also include any of the following additional information as applicable.
 - i. Natural buffers and/or equivalent sediment controls** (see Part 2.2.1 and Appendix F). You must include the following:
 - (a) The compliance alternative to be implemented;
 - (b) If complying with alternative 2, the width of natural buffer retained;

⁸⁷ The requirement to show storm drain inlets in the immediate vicinity of the site on your site map only applies to those inlets that are easily identifiable from your site or from a publicly accessible area immediately adjacent to your site.

⁸⁸ Design specifications may be found in manufacturer specifications and/or in applicable erosion and sediment control manuals or ordinances. Any departures from such specifications must reflect good engineering practice and must be explained in the SWPPP.

- (c) If complying with alternative 2 or 3, the erosion and sediment control(s) you will use to achieve an equivalent sediment reduction, and any information you relied upon to demonstrate the equivalency;
 - (d) If complying with alternative 3, a description of why it is infeasible for you to provide and maintain an undisturbed natural buffer of any size;
 - (e) For "linear construction sites" where it is infeasible to implement compliance alternative 1, 2, or 3, a rationale for this determination, and a description of any buffer width retained and/or supplemental erosion and sediment controls installed; and
 - (f) A description of any disturbances that are exempt under Part 2.2.1 that occur within 50 feet of a receiving water.
- ii. Perimeter controls for a "linear construction site"** (see Part 2.2.3d). For areas where perimeter controls are not feasible, include documentation to support this determination and a description of the other practices that will be implemented to minimize discharges of pollutants in stormwater associated with construction activities.
- Note: Routine maintenance specifications for perimeter controls documented in the SWPPP must include the Part 2.2.3c.i requirement that sediment be removed before it has accumulated to one-half of the above-ground height of any perimeter control.
- iii. Sediment track-out controls** (see Parts 2.2.4b and 2.2.4c). Document the specific stabilization techniques and/or controls that will be implemented to remove sediment prior to vehicle exit.
- iv. Inlet protection measures** (see Part 2.2.10a). Where inlet protection measures are not required because the storm drain inlets to which your site discharges are conveyed to a sediment basin, sediment trap, or similarly effective control, include a short description of the control that receives the stormwater flow from the site.
- v. Sediment basins** (see Part 2.2.12). In circumstances where it is infeasible to utilize outlet structures that withdraw water from the surface, include documentation to support this determination, including the specific conditions or time periods when this exception will apply.
- vi. Treatment chemicals** (see Part 2.2.13), you must include the following:
- (a) A listing of the soil types that are expected to be exposed during construction in areas of the project that will drain to chemical treatment systems. Also include a listing of soil types expected to be found in fill material to be used in these same areas, to the extent you have this information prior to construction;
 - (b) A listing of all treatment chemicals to be used at the site and why the selection of these chemicals is suited to the soil characteristics of your site;
 - (c) If the applicable EPA Regional Office authorized you to use cationic treatment chemicals for sediment control, include the specific controls and implementation procedures designed to ensure that your use of cationic

treatment chemicals will not lead to a discharge that does not meet water quality standards;

- (d) The dosage of all treatment chemicals to be used at the site or the methodology to be used to determine dosage;
- (e) Information from any applicable Safety Data Sheet (SDS);
- (f) Schematic drawings of any chemically enhanced stormwater controls or chemical treatment systems to be used for application of the treatment chemicals;
- (g) A description of how chemicals will be stored consistent with Part 2.2.13c;
- (h) References to applicable State or local requirements affecting the use of treatment chemicals, and copies of applicable manufacturer's specifications regarding the use of your specific treatment chemicals and/or chemical treatment systems; and
- (i) A description of the training that personnel who handle and apply chemicals have received prior to permit coverage, or will receive prior to use of the treatment chemicals at your site.

vii. Stabilization measures (see Part 2.2.14). You must include the following:

- (a) The specific vegetative and/or non-vegetative practices that will be used;
- (b) The stabilization deadline that will be met in accordance with Part 2.2.14;
- (c) If complying with the deadlines for sites in arid, semi-arid, or drought-stricken areas, the beginning and ending dates of the seasonally dry period (as defined in Appendix A)⁸⁹ and the schedule you will follow for initiating and completing vegetative stabilization; and
- (d) If complying with deadlines for sites affected by unforeseen circumstances that delay the initiation and/or completion of vegetative stabilization, document the circumstances and the schedule for initiating and completing stabilization.

viii. Spill prevention and response procedures (see Parts 1.3.5, 2.3.3c, 2.3.3d, and 2.3.6). You must include the following:

- (a) Procedures for expeditiously stopping, containing, and cleaning up spills, leaks, and other releases. Identify the name or position of the employee(s) responsible for detection and response of spills or leaks; and
- (b) Procedures for notification of appropriate facility personnel, emergency response agencies, and regulatory agencies where a leak, spill, or other release containing a hazardous substance or oil in an amount equal to or in excess of a reportable quantity consistent with Part 2.3.6 and established under either 40 CFR part 110, 40 CFR part 117, or 40 CFR part 302, occurs

⁸⁹ See footnote 44.

during a 24-hour period. Contact information must be in locations that are readily accessible and available to all employees.

You may also reference the existence of SPCC plans developed for the construction activity under Section 311 of the CWA, or spill control programs otherwise required by an NPDES permit for the construction activity, provided that you keep a copy of that other plan on site.⁹⁰

- ix. Waste management procedures** (see Part 2.3.3). Describe the procedures you will follow for handling, storing, and disposing of all wastes generated at your site consistent with all applicable Federal, State, Tribal, and local requirements, including clearing and demolition debris, sediment removed from the site, construction and domestic waste, hazardous or toxic waste, and sanitary waste. You must also include the following additional information:
- (a) If site constraints prevent you from storing chemical containers 50 feet away from receiving waters or the other site drainage features as required in Part 2.3.3c.ii(b), document in your SWPPP the specific reasons why the 50-foot setback is not feasible, and how you will store containers as far away as the site permits; and
 - (b) If there are construction wastes that are subject to the exception in Part 2.3.3e.ii, describe the specific wastes that will be stored on your site.
- x. Application of fertilizers** (see Part 2.3.5). Document any departures from the manufacturer specifications where appropriate.
- 7.2.7 Procedures for Inspection, Maintenance, and Corrective Action.** Describe the procedures you will follow for maintaining your stormwater controls, conducting site inspections, and, where necessary, taking corrective actions, in accordance with Part 2.1.4, Part 4, and Part 5 of this permit, accordingly. Also include:
- a.** The inspection schedule you will follow, which is based on whether your site is subject to Part 4.2 or Part 4.3, or whether your site qualifies for any of the reduced inspection frequencies in Part 4.4;
 - b.** If you will be conducting inspections in accordance with the inspection schedule in Part 4.2.2, Part 4.3, or Part 4.4.1b, the location of the rain gauge or the address of the weather station you will be using to obtain rainfall data;
 - c.** If you will be reducing your inspection frequency in accordance with Part 4.4.1b, the beginning and ending dates of the seasonally defined arid period for your area or the valid period of drought;
 - d.** If you will be reducing your inspection frequency in accordance with Part 4.4.3, the beginning and ending dates of frozen conditions on your site; and
 - e.** Any maintenance or inspection checklists or other forms that will be used.
- 7.2.8 Procedures for Turbidity Benchmark Monitoring from Dewatering Discharges (if applicable).** If you are required to comply with the Part 3.3 turbidity benchmark

⁹⁰ Even if you already have an SPCC or other spill prevention plan in existence, your plans will only be considered adequate if they meet all of the requirements of this Part, either as part of your existing plan or supplemented as part of the SWPPP.

monitoring requirements, describe the procedures you will follow to collect and evaluate samples, report results to EPA and keep records of monitoring information, and take corrective action when necessary. Include the specific type of turbidity meter you will use for monitoring, as well as any manuals or manufacturer instructions on how to operate and calibrate the meter. Describe any coordinating arrangement you may have with any other permitted operators on the same site with respect to compliance with the turbidity monitoring requirements, including which parties are tasked with specific responsibilities. If EPA has approved of an alternate turbidity benchmark pursuant to Part 3.3.2b, include any data and other documentation you relied on to request use of the specific alternative benchmark.

7.2.9 Compliance with Other Requirements.

- a. Threatened and Endangered Species Protection.** Include documentation required in the Endangered Species Protection section of the NOI in NeT, or the ESA worksheet in Appendix D, supporting your eligibility with regard to the protection of threatened and endangered species and designated critical habitat.
- b. Historic Properties.** Include documentation required in Appendix E supporting your eligibility with regard to the protection of historic properties.
- c. Safe Drinking Water Act Underground Injection Control (UIC) Requirements for Certain Subsurface Stormwater Controls.** If you are using any of the following stormwater controls at your site, document any contact you have had with the applicable State agency⁹¹ or EPA Regional Office responsible for implementing the requirements for underground injection wells in the Safe Drinking Water Act and EPA's implementing regulations at 40 CFR § 144 -147. Such controls would generally be considered Class V UIC wells:
 - i.** Infiltration trenches (if stormwater is directed to any bored, drilled, driven shaft or dug hole that is deeper than its widest surface dimension, or has a subsurface fluid distribution system);
 - ii.** Commercially manufactured pre-cast or pre-built proprietary subsurface detention vaults, chambers, or other devices designed to capture and infiltrate stormwater flow; and
 - iii.** Drywells, seepage pits, or improved sinkholes (if stormwater is directed to any bored, drilled, driven shaft or dug hole that is deeper than its widest surface dimension, or has a subsurface fluid distribution system).

7.2.10 SWPPP Certification. Your signatory must sign and date your SWPPP in accordance with Appendix G, Part G.11.

7.2.11 Post-Authorization Additions to the SWPPP. Once you are authorized for coverage under this permit, you must include the following documents as part of your SWPPP:

- a.** A copy of your NOI submitted to EPA along with any correspondence exchanged between you and EPA related to coverage under this permit;
- b.** A copy of the acknowledgment letter you receive from NeT assigning your NPDES ID (i.e., *permit tracking number*);

⁹¹ For State UIC program contacts, refer to the following EPA website: <https://www.epa.gov/uic>.

- c. A copy of this permit (an electronic copy easily available to the stormwater team is also acceptable).

7.3 ON-SITE AVAILABILITY OF YOUR SWPPP

You must keep a current copy of your SWPPP at the site or at an easily accessible location so that it can be made available at the time of an on-site inspection or upon request by EPA; a State, Tribal, or local agency approving stormwater management plans; the operator of a storm sewer system receiving discharges from the site; or representatives of the U.S. Fish and Wildlife Service (USFWS) or the National Marine Fisheries Service (NMFS).⁹²

EPA may provide access to portions of your SWPPP to a member of the public upon request. Confidential Business Information (CBI) will be withheld from the public, but may not be withheld from EPA, USFWS, or NMFS.⁹³

If an on-site location is unavailable to keep the SWPPP when no personnel are present, notice of the plan's location must be posted near the main entrance of your construction site.

7.4 SWPPP MODIFICATIONS

7.4.1 You must modify your SWPPP, including the site map(s), within seven (7) days of any of the following conditions:

- a. Whenever new operators become active in construction activities on your site, or you make changes to your construction plans, stormwater controls, or other activities at your site that are no longer accurately reflected in your SWPPP. This includes changes made in response to corrective actions triggered under Part 5. You do not need to modify your SWPPP if the estimated dates in Part 7.2.3f change during the course of construction;
- b. To reflect areas on your site map where operational control has been transferred (and the date of transfer) since initiating permit coverage;
- c. If inspections or investigations by EPA or its authorized representatives determine that SWPPP modifications are necessary for compliance with this permit;
- d. Where EPA determines it is necessary to install and/or implement additional controls at your site in order to meet the requirements of this permit, the following must be included in your SWPPP:
 - i. A copy of any correspondence describing such measures and requirements; and

⁹² The SWPPP may be prepared, signed, and kept electronically, rather than in paper form, if the records are: (a) in a format that can be read in a similar manner as a paper record; (b) legally dependable with no less evidentiary value than their paper equivalent; and (c) immediately accessible to the inspector during an inspection to the same extent as a paper copy stored at the site would be, if the records were stored in paper form. For additional guidance on the proper practices to follow for the electronic retention of the SWPPP, refer to the Fact Sheet discussion related to Part 4.7.3.

⁹³ Information covered by a claim of confidentiality will be disclosed by EPA only to the extent of, and by means of, the procedures set forth in 40 CFR part 2, Subpart B. In general, submitted information protected by a business confidentiality claim may be disclosed to other employees, officers, or authorized representatives of the United States concerned with implementing the CWA. The authorized representatives, including employees of other executive branch agencies, may review CBI during the course of reviewing draft regulations.

- ii. A description of the controls that will be used to meet such requirements.
 - e. To reflect any revisions to applicable Federal, State, Tribal, or local requirements that affect the stormwater controls implemented at the site; and
 - f. If applicable, if a change in chemical treatment systems or chemically enhanced stormwater control is made, including use of a different treatment chemical, different dosage rate, or different area of application.
- 7.4.2** You must maintain records showing the dates of all SWPPP modifications. The records must include the name of the person authorizing each change (see Part 7.2.9 above) and a brief summary of all changes.
- 7.4.3** All modifications made to the SWPPP consistent with Part 7.4 must be authorized by a person identified in Appendix G, Part G.11.b.
- 7.4.4** Upon determining that a modification to your SWPPP is required, if there are multiple operators covered under this permit, you must immediately notify any operators who may be impacted by the change to the SWPPP.

8 HOW TO TERMINATE COVERAGE

Until you terminate coverage under this permit, you must comply with all conditions and effluent limitations in the permit. To terminate permit coverage, you must submit to EPA a complete and accurate Notice of Termination (NOT), which certifies that you have met the requirements for terminating in Part 8.

8.1 MINIMUM INFORMATION REQUIRED IN NOT

- 8.1.1** NPDES ID (i.e., *permit tracking number*) provided by EPA when you received coverage under this permit;
- 8.1.2** Basis for submission of the NOT (see Part 8.2);
- 8.1.3** Operator contact information;
- 8.1.4** Name of site and address (or a description of location if no street address is available); and
- 8.1.5** NOT certification.

8.2 CONDITIONS FOR TERMINATING CGP COVERAGE

You may terminate CGP coverage only if one or more of the conditions in Parts 8.2.1, 8.2.2, or 8.2.3 has occurred. Until your termination is effective consistent with Part 8.5, you must continue to comply with the conditions of this permit.

- 8.2.1** You have completed all construction activities at your site and, if applicable, construction support activities covered by this permit (see Part 1.2.1c), and you have met all of the following requirements:
- a. For any areas that (1) were disturbed during construction, (2) are not covered by permanent structures, and (3) over which you had control during the construction activities, you have met the requirements for final vegetative or non-vegetative stabilization in Part 2.2.14c.

To document that you have met these stabilization requirements, you must take either ground or aerial photographs that show your site's compliance with the Part 2.2.14 stabilization requirements and submit them with your NOT. If any portion of your

site is covered by one of the exceptions in Part 2.2.14c.iii, indicate which exception applies and include a supplementary explanation with your photographs that provides the necessary context for why this portion of the site is in compliance with the final stabilization criteria even though it appears to be unstabilized. You are not required to take photographs of every distinct part of your site that is being stabilized, however, the conditions of the site portrayed in any photographs that are submitted must be substantially similar⁹⁴ to those of the areas that are not photographed. You must also comply with the following related to these photographs:

- i. Take photographs both before and after the site has met the final stabilization criteria in Part 2.2.14c;
 - ii. All photographs must be clear and in focus, and in the original format and resolution; and
 - iii. Include the date each photograph was taken, and a brief description of the area of the site captured by the photograph (e.g., photo shows application of seed and erosion control mats to remaining exposed surfaces on northeast corner of site).
- b. You have removed and properly disposed of all construction materials, waste and waste handling devices, and have removed all equipment and vehicles that were used during construction, unless intended for long-term use following your termination of permit coverage;
 - c. You have removed all stormwater controls that were installed and maintained during construction, except those that are intended for long-term use following your termination of permit coverage or those that are biodegradable (as defined in Appendix A); and
 - d. You have removed all potential pollutants and pollutant-generating activities associated with construction, unless needed for long-term use following your termination of permit coverage; or
- 8.2.2** You have transferred control of all areas of the site for which you are responsible under this permit to another operator, and that operator has submitted an NOI and obtained coverage under this permit; or
- 8.2.3** Coverage under an individual or alternative general NPDES permit has been obtained.

8.3 HOW TO SUBMIT YOUR NOT

You must use EPA's NPDES eReporting Tool (NeT) to electronically prepare and submit an NOT for the 2022 CGP.

To access NeT, go to <https://cdx.epa.gov/cdx>.

Waivers from electronic reporting may be granted as specified in Part 1.4.2. If the EPA Regional Office grants you approval to use a paper NOT, and you elect to use it, you must complete the form in Appendix I.

⁹⁴ Stabilization conditions that are substantially similar would include areas that are using the same type of stabilization measures and that have similar slopes, soils, and topography, and have achieved the same level of stabilization.

8.4 DEADLINE FOR SUBMITTING THE NOT

You must submit an NOT within 30 calendar days after any one of the conditions in Part 8.2 occurs.

8.5 EFFECTIVE DATE OF TERMINATION OF COVERAGE

Your authorization to discharge under this permit terminates at midnight of the calendar day that a complete NOT is submitted to EPA.

9 PERMIT CONDITIONS APPLICABLE TO SPECIFIC STATES, INDIAN COUNTRY LANDS, OR TERRITORIES

The provisions in this Part provide additions to the applicable conditions of this permit to reflect specific additional conditions required as part of the State or Tribal CWA Section 401 certification process, or the Coastal Zone Management Act (CZMA) certification process, or as otherwise established by the permitting authority. The specific additional revisions and requirements only apply to activities in those specific States, Indian country, and areas in certain States with Federal Facilities or areas subject to construction projects by Federal Operators. States, Indian country, and other areas not included in this Part do not have any additions to the applicable conditions of this permit.

9.1 EPA REGION 1**9.1.1 NHR100000 State of New Hampshire**

- a.** Should the permit coverage for an individual applicant be insufficient to achieve water quality standards, the New Hampshire Department of Environmental Services (NHDES) may prepare additional 401 certification conditions for that applicant. Any additional 401 certification conditions will follow all required NHDES public participation requirements.
- b.** If you disturb 100,000 square feet or more of contiguous area, you must also comply with RSA 485-A:17 and Env-Wq 1500, and, unless exempt, apply for an Alteration of Terrain (AoT) permit from NHDES. This requirement also applies to a lower disturbance threshold of 50,000 square feet or more when construction occurs within the protected shoreline under the Shoreland Water Quality Protection Act (see RSA 483-B and Env-Wq 1400). A permit application must also be filed if your project disturbs an area of greater than 2,500 square feet, is within 50 feet of any surface water, and has a flow path of 50 feet or longer disturbing a grade of 25 percent or greater. Project sites with disturbances smaller than those discussed above, that have the potential to adversely affect state surface waters, are subject to the conditions of an AoT General Permit by Rule (Env-Wq 1503.03).
- c.** You must determine that any excavation dewatering discharges are not contaminated before they will be authorized as an allowable non-stormwater discharge under this permit (see Part 1.2.2 of the Construction General Permit or CGP). In the absence of information demonstrating otherwise, the water is considered uncontaminated if there is no groundwater contamination within 1,000 feet of the groundwater dewatering location. Information on groundwater contamination can be generated over the Internet via the NHDES web site <http://des.nh.gov/> by using the One Stop Data Mapper. For a toxic substance included in the New Hampshire surface water quality standards, see Env-Wq 1703.21 (see <https://www.des.nh.gov/sites/g/files/ehbemt341/files/documents/2020-01/Env-Wg>

1700.pdf). If it is determined that the groundwater to be dewatered is near a remediation or other waste site, you must apply for the Remediation General Permit (see <https://www3.epa.gov/region1/npdes/rgp.html>)

- d.** As a minimum, you must treat any uncontaminated excavation "dewatering" discharges and "stormwater" discharges, as those terms are defined in Appendix A of the CGP, as necessary, to remove suspended solids and turbidity so that the surface waters receiving the construction discharges⁹⁵ meet New Hampshire surface water quality standards for turbidity (Env-Wq 1703.11 and Env-Wq 1703.03(c)(1)c), benthic deposits (Env-Wq 1703.03(c)(1)a), and Env-Wq 1703.08) and foam, debris, scum or other visible substances (i.e., plumes or visual turbidity)⁹⁶ (Env-Wq 1703.03(c)(1)b).
- i.** For all Construction Activities covered under this CGP, the following shall apply to ensure compliance with the aforementioned regulations for turbidity, benthic deposits and visible substances:
- Unless otherwise specified, site inspection requirements shall comply with Part 4 of the CGP. As a minimum site inspection frequency shall be in accordance with Part 4.2.2 of the CGP (and Part 4.3.2 of the CGP for sites discharging dewatering water). Site inspection frequency may be reduced in accordance with Part 4.4 of the CGP (Reductions in Inspection Frequency). Monitoring of the receiving water for visible turbidity and benthic sediment deposits shall be conducted each site inspection and results reported in the Inspection Report required in Part 4.7 of the CGP. Should visible turbidity or benthic sediment deposits attributable or partly attributable to your construction activities be present in the receiving water, the "Corrective Actions" specified in Part 5 shall be immediately implemented to correct the water quality standard violations. In addition, daily monitoring (including photographs) of the receiving water shall be conducted until there is no visible turbidity or benthic deposits. Inspection Reports required in Part 4.7 of the CGP shall include, but not be limited to, the distance downstream and the percent of the river width⁹⁷ where visible turbidity was observed, and the period of time that the visible turbidity persisted. A copy of the Inspection Report(s) shall be made available to NHDES within 24 hours of receiving a written request from NHDES.
- ii.** For Construction Activities, disturbing 5 acres or more of land at any one time (excluding areas that have been completely stabilized in accordance with the final stabilization criteria specified in Part 2.2.14.c of the CGP), the following shall

⁹⁵ Construction Discharges include uncontaminated "dewatering" and "stormwater" discharges as those terms are defined in Appendix A of the CGP. Controlled construction discharges are construction discharges where the rate of flow can be regulated such as from a construction settling basin or NHDES approved flocculation system.

⁹⁶ For the definition of visual turbidity, see the definition for "Non-Turbid" in Appendix A of the CGP, which states the following: "Non-Turbid" - a discharge that is free from visual turbidity. For the purposes of this permit, visual turbidity refers to a sediment plume or other cloudiness in the water caused by sediment that can be identified by an observer." [EPA interprets the text of this footnote as intending to reference the Appendix A definitions of "visual turbidity" and "non-turbid" in the final permit.]

⁹⁷ The distance downstream and the percent of river width where visible turbidity (i.e., plume) is observed is required to determine the extent of the river affected and to determine if there was a "zone of passage" (i.e., a portion of the receiving water where there was no visible turbidity where mobile organisms could pass without being adversely impacted). The percent of river width affected is equal 100 multiplied by the width of the plume (in feet) divided by the width of the receiving water (in feet).

apply to ensure compliance with the aforementioned regulations for turbidity, benthic deposits and visible substances.

Item 9.1.1.d.i) above shall apply to all construction discharges and the minimum site inspection frequency shall comply with Part 4.3.1 of the CGP (and Part 4.3.2 of the CGP for sites discharging dewatering water). Site inspection frequency may be reduced in accordance with Part 4.4 of the CGP (Reductions in Inspection Frequency).

With regards to controlled construction discharges, if there is no visible turbidity (i.e., plumes) or benthic deposits, and, in the absence of information demonstrating otherwise, turbidity measurements of less than or equal to 50 nephelometric turbidity units (NTU) in the controlled construction discharges at the outlet prior to mixing with the receiving surface waters, shall be presumed to meet New Hampshire surface water quality standards for the parameters listed above. As a minimum, the controlled construction discharges must be sampled at each site inspection.

If any controlled construction discharge exceeds 50 NTU, or if visible turbidity or benthic sediment deposits attributable or partly attributable to any construction discharge are observed in the receiving water, then the "Corrective Actions" specified in Part 5 of the CGP shall be immediately implemented.

In addition, should such violation occur, and, in order to determine compliance with surface water quality standards for turbidity (Env-Wq 1703.11 and Env-Wq 1703.03(c)(1)c), benthic deposits (Env-Wq 1703.03(c)(1)a), and Env-Wq 1703.08) and foam, debris, scum or other visible substances (Env-Wq 1703.03(c)(1)b)), turbidity monitoring shall be immediately implemented as specified below:

Turbidity samples of the receiving water shall be immediately taken in the receiving water upstream and beyond the influence of the construction activity, and, unless a mixing zone⁹⁸ is approved by NHDES, no more than 75 feet downstream of each controlled construction discharge that exceeded 50 NTU and no more than 75 feet downstream of each construction discharge that caused visible turbidity.

Downstream samples shall be taken at locations in the receiving water that are most likely influenced by the discharge (e.g., if visible turbidity (i.e., a plume) is present, the sample shall be taken in the plume). Samples shall be collected a minimum of 2 times per day during the daylight hours at times when construction activities are most likely to cause turbidity in the receiving water and shall continue until the turbidity water quality standards are met in the receiving water (i.e., the difference between the upstream and downstream turbidity level is no greater than 10 NTU).

⁹⁸ Permittees may request a distance greater than 75 feet downstream of a construction discharge for determining compliance with turbidity standards in Class B surface waters, by submitting a mixing zone request to NHDES that complies with Env-Wq 1707.02. If a mixing zone is approved, NHDES is required to include conditions to ensure that the criteria on which the approval is based are met (Env-Wq 1707.03).

If water quality standards are not met during daylight hours on any day, sampling shall resume the next day and continue no fewer than 2 times per day until water quality standards are met. The date, time, location and results of turbidity measurements, as well as a summary identifying the cause of the violations, corrective actions that were implemented, the period of time that the receiving water exceeded turbidity standards and the distance downstream and the percent of the river width where visible turbidity was observed, and the period of time that the visible turbidity persisted, shall be recorded and included in the Inspection Report required in Part 4.7 of the CGP. Turbidity measurements shall be conducted via a field meter in accordance with the requirements for turbidity specified in Table 1B in 40 CFR 136.3 (see 40 CFR § 136.3 Identification of test procedures - Code of Federal Regulations ecfrio). Field meters shall be calibrated every day sampling is conducted and prior to the first sample.

- e. Construction site owners and operators are encouraged to consider opportunities for post- construction groundwater recharge using infiltration best management practices (BMPs) during site design and preparation of the SWPPP in order to assure compliance with Env-Wq 1703.03 and Env-Wq 1703.11. If your construction site is in a town that is required to obtain coverage under the NPDES General Permit for discharges from Municipal Separate Storm Sewer Systems (MS4) you may be required to use such practices. The SWPPP must include a description of any on-site infiltration that will be installed as a post-construction stormwater management measure or reasons for not employing such measures such as 1) The facility is located in a wellhead protection area as defined in RSA 485- C:2; or 2) The facility is located in an area where groundwater has been reclassified to GAA, GA1 or GA2 pursuant to RSA 485-C and Env-DW 901; or 3) Any areas that would be exempt from the groundwater recharge requirements contained in Env-Wq 1507.04, including all land uses or activities considered to be a "High-load Area" (see Env-Wq 1502.30). For design considerations for infiltration measures see Env-Wq 1508.06. Note that there may be additional local requirements that fall under the NH MS4 permittee's Authorization to Discharge Permit for those regulated areas.
- f. Appendix F of the CGP contains information regarding Tier 2, or high quality waters in the various states. **[EPA notes that this information has now been moved to <https://www.epa.gov/npdes/construction-general-permit-resources-tools-and-templates>]** Although there is no official list of tier 2 waters for New Hampshire, it can be assumed that all New Hampshire surface waters are tier 2 for turbidity unless 1) the surface water that you are proposing to discharge into is listed as impaired for turbidity in the states listing of impaired waters (see <https://nhdes-surface-water-quality-assessment-site-nhdes.hub.arcgis.com/>) or 2) sampling upstream of the proposed discharge location shows turbidity values greater than 10 NTU (Env-Wq 1703.11). A single grab sample collected during dry weather (no precipitation within 48 hours) is acceptable.
- g. To ensure compliance with RSA 485-C, RSA 485-A, RSA 485-A:13, I(a), Env-Wq 1700 and Env-Wq 302, the following information may be requested by NHDES. This information must be kept on site unless you receive a written request from NHDES that it be sent to the address shown below in 9.1.1.h.

- i. A list of all non-stormwater discharges that occur at the facility, including their source locations and the control measures being used (see Part 1.2.2 of the CGP).
 - ii. Records of sampling and analysis required for construction dewatering and stormwater discharges (see 9.1.1.d above).
- h.** All required or requested documents must be sent to: NH Department of Environmental Services, Watershed Management Bureau, P.O. Box 95 Concord, NH 03302-0095.

9.1.2 MAR100000 Commonwealth of Massachusetts (except Indian country)

- a.** All discharges covered by the Construction General Permit shall comply with the provisions pursuant to 314 CMR 3.00, 314 CMR 4.00, 314 CMR 9.00, including applicable construction stormwater standards and 310 CMR 10.00.
- b.** Pursuant to 314 CMR 3.11 (2)(a)6., and in accordance with MassDEP's obligation under 314 CMR 4.05(5)(e) to maintain surface waters free from pollutants in concentrations or combinations that are toxic to humans, aquatic life, or wildlife, permittees are prohibited from discharging dewatering water under the CGP from sites that are designated as Superfund/CERCLA or RCRA, and must make accommodations to dispose of the dewatering discharges appropriately, such as coverage under the Remediation General Permit (RGP).
- c.** Pursuant to 314 CMR 3.11 (2)(a), and in accordance with MassDEP's obligation to protect Outstanding Resource Waters under 314 CMR 4.04(3), applicants seeking coverage under the 2022 CGP that propose to carry out construction activities near Outstanding Resource Waters as identified in 314 CMR 4.06, shall submit to MassDEP for review:
- i. a copy of the Stormwater Pollution Prevention Plan (SWPPP),
 - ii. a copy of the EPA NOI, and
 - iii. MassDEP's Stormwater BMP Checklist.

For purposes of this review, the permittee shall submit these documents to MassDEP at the same time they are submitted to EPA. Instructions on how to submit these documents to MassDEP and where to find the MassDEP Stormwater BMP Checklist and obtain authorization to discharge can be found here: <https://www.mass.gov/how-to/wm-15-npdes-general-permit-notice-of-intent>.

- d.** Pursuant to 314 CMR 3.11 (2)(a)6., and in accordance with MassDEP's obligation under 314 CMR 4.05(5)(e) to maintain surface waters free from pollutants in concentrations or combinations that are toxic to humans, aquatic life, or wildlife, applicants that propose to dewater under the 2022 CGP and plan to discharge to certain waters as described below, shall determine that any dewatering discharges are not contaminated by testing the proposed discharge as described below as part of the application for WM15 authorization. Unless otherwise specified, testing described in this section should be conducted using the methods in 40 CFR 136.
- i. Applicants for sites that plan to discharge to Outstanding Resource Waters as identified in 314 CMR 4.06 shall test one sample of the proposed dewatering discharge water for pH, E. Coli (for discharges to freshwater), fecal coliform (for

discharges to salt water), Enterococci (for discharges to salt water), total suspended solids, oil and grease, total nitrogen, total phosphorus, and all parameters with numeric criteria listed in the Massachusetts Surface Water Quality Standards at 314 CMR 4.05(e). Results shall be reported to MassDEP as part of the WM15 application. To determine if the dewatering discharge could be covered under the 2022 CGP, the effluent at zero dilution must meet numeric water quality criteria. If the effluent does not meet numeric water quality criteria, the applicant shall contact EPA Region 1 to discuss coverage under the Remediation General Permit.

- ii. Applicants for sites that propose to discharge to Public Water Supplies (314 CMR 4.06(1)(d)1) shall also test one sample of the proposed dewatering discharge water for per- and polyfluoroalkyl substances (PFAS), as outlined in the table below. Results shall be reported to MassDEP as part of the WM15 application. If any PFAS compounds are detected, the applicant shall apply for coverage under the NPDES Remediation General Permit for Massachusetts if required.

| PFAS Testing Parameters for Discharges to Public Drinking Water Supplies⁹⁹ | |
|--|-------------|
| Perfluorohexanesulfonic acid (PFHxS), grab | Report ng/L |
| Perfluoroheptanoic acid (PFHpA), grab | Report ng/L |
| Perfluorononanoic acid (PFNA), grab | Report ng/L |
| Perfluorooctanesulfonic acid (PFOS), grab | Report ng/L |
| Perfluorooctanoic acid (PFOA), grab | Report ng/L |
| Perfluorodecanoic acid (PFDA), grab | Report ng/L |

- iii. Applicants for sites that propose to discharge to an impaired water as identified in the most recent final Massachusetts Integrated List of Waters, shall test one sample of the proposed dewatering discharge water for the parameter(s) for which the waterbody is impaired. To determine if the dewatering discharge could be covered under the 2022 CGP, the effluent at zero dilution must meet numeric water quality criteria. If the effluent does not meet numeric water quality criteria, the applicant shall contact EPA Region 1 to discuss coverage under the Remediation General Permit and shall apply for RGP coverage if required.
- iv. For dewatering discharges to all other waters, if any pollutants are known or believed present in the proposed dewatering discharge water, the applicant shall apply for coverage under the NPDES Remediation General Permit for Massachusetts if required. For the purposes of this condition, a pollutant is "known present" if measured above the analytical detection limit using a sufficiently sensitive test method in an environmental sample, and "believed present" if a pollutant has not been measured in an environmental sample but will be added or generated prior to discharge, such as through a treatment process. Consequently, a pollutant is "known absent" if measured as non-detect relative to the analytical detection limit using a sufficiently sensitive test method in an environmental sample, and "believed absent" if a pollutant has not been measured in an environmental sample but will not be added or generated prior to discharge and is not a parameter that applies to the applicable activity category for a site. If any pollutants are known or believed present in the

⁹⁹ PFAS testing shall follow established EPA methods 537 or 537.1 for drinking water until EPA Method 3512 for non-potable water becomes available.

proposed dewatering discharge water, the applicant shall test one sample of the proposed dewatering discharge water for the pollutants known or believed to be present. To determine if the dewatering discharge could be covered under the 2022 CGP, the effluent at zero dilution must meet numeric water quality criteria. If the effluent does not meet numeric water quality criteria, the applicant shall contact EPA Region 1 to discuss coverage under the Remediation General Permit.

- e.** Pursuant to 314 CMR 3.11 (2)(a), and in accordance with MassDEP's obligation to protect Outstanding Resource Waters under 314 CMR 4.04(3), applicants that propose to dewater under the 2022 CGP and discharge to Outstanding Resource Waters as identified in 314 CMR 4.06, shall submit the SWPPP and associated documents to MassDEP to review. MassDEP shall complete review within 30 days of receipt.
- f.** Pursuant to 314 CMR 3.11 (2)(a)6., and in accordance with MassDEP's obligation under 314 CMR 4.05 to maintain surface waters free from color and turbidity in concentrations or combinations that are aesthetically objectionable or would impair any use assigned to the waterbody, permittees that have been authorized to dewater under the 2022 CGP and that discharge to Outstanding Resource Waters as identified in 314 CMR 4.06 shall carry out daily benchmark monitoring for turbidity¹⁰⁰ for the duration of dewatering. Permittees shall compare the weekly average of the turbidity monitoring results with the established benchmark turbidity value of 25 Nephelometric Turbidity Units (NTU). If a permittee's weekly average turbidity results exceed the benchmark, the operator shall conduct follow-up corrective action to determine the source of the problem and to make any necessary repairs or upgrades to the dewatering controls to lower the turbidity levels. The permittee shall document any corrective action taken in its corrective action log. Furthermore, permittees at these sites shall carry out inspections at higher frequency, specifically, daily inspections of the dewatering discharge treatment for the duration of the discharge. The permittee shall inspect the site for sediment plume or whether a hydrocarbon sheen is visible at the point of discharge, estimate the flow rate at the point of discharge, and inspect the site downstream to assess whether sedimentation is attributable to the dewatering discharges.
- g.** Pursuant to 314 CMR 3.11 (2)(a)6., and in accordance with MassDEP's obligation under 314 CMR 4.05 to maintain surface waters free from color and turbidity in concentrations or combinations that are aesthetically objectionable or would impair any use assigned to the waterbody, permittees shall store materials outside the Base Flood Elevation¹⁰¹ when feasible to prevent displacing runoff and erosion.
- h.** Pursuant to 314 CMR 3.11 (2)(a), and in accordance with MassDEP's obligation to maintain surface waters free from nutrients in concentrations that would cause or contribute to impairment of existing or designated uses under 314 CMR 4.05(5)(c), all applicants who apply for coverage under the 2022 CGP shall follow guidelines on fertilizer application, including use of fertilizer containing no phosphorus, in accordance with 330 CMR 31.00 Plant Nutrient Application Requirements for

¹⁰⁰ Applicants shall follow EPA Method 180.1 to monitor for turbidity

¹⁰¹ Base Flood Elevation (BFE) is the elevation of surface water resulting from a flood that has a 1% chance of equaling or exceeding that level in any given year. The BFE is shown on the Flood Insurance Rate Map (FIRM) for zones AE, AH, A1-A30, AR, AR/A, AR/AE, AR/A1-A30, AR/AH, AR/AO, V1-V30 and VE. (Source: <https://www.fema.gov/node/404233>).

Agricultural Land and Non-Agricultural Turf and Lawns. Further, fertilizer shall never be applied to a site when a rain event greater than 0.5 inches is forecast in the next 48 hours.

- i. Pursuant to 314 CMR 3.11 (2)(a), all applicants who apply for coverage under the 2022 CGP and elect to carry out site inspections every 14 days shall also inspect sites within 24 hours of 0.25 inches of precipitation events or greater over 24 hours, or within 24 hours of a discharge that occurred due to snowmelt from 3.25 inches or greater of snow accumulation.¹⁰² During the high flow periods in spring (i.e., months of April to June), inspection frequency shall be increased to once per week for all sites.
 - i. To determine whether 3.25 inches or greater of snow accumulation has occurred at a site, snowfall measurements can be taken at the site,¹⁰³ or the operator can rely on similar information from a local weather forecast.
- j. Implementing structural improvements, enhanced/resilient pollution prevention measures, and other mitigation measures can help to minimize impacts from stormwater discharges from major storm events such as hurricanes, storm surge, extreme/heavy precipitation,¹⁰⁴ and flood events. Pursuant to 314 CMR 3.11 (2)(a), if such stormwater control measures are already in place due to existing requirements mandated by other state, local or federal agencies, the SWPPP shall include a brief description of the controls and a reference to the existing requirement(s). If the site may be exposed to or has previously experienced such major storm events¹⁰⁵, additional stormwater control measures that may be considered, and implemented as necessary, include, but are not limited to:
 - i. Reinforce materials storage structures to withstand flooding and additional exertion of force;
 - ii. Prevent floating of semi-stationary structures by elevating to the Base Flood Elevation (BFE) level or securing with non-corrosive device;
 - iii. When a delivery of exposed materials is expected, and a storm is anticipated within 48 hours, delay delivery until after the storm or store materials as appropriate (refer to emergency procedures);

¹⁰² This is the amount of snow that is equivalent to 0.25 inches of rain, based on information from the National Oceanic and Atmospheric Administration (NOAA) indicating that 13 inches of snow is, on average, equivalent to 1 inch of rain. See <https://www.nssl.noaa.gov/education/svrwx101/winter/faq/>.

¹⁰³ NOAA's National Weather Service has guidelines on snowfall measurements at https://www.weather.gov/jkl/snow_measurement. These guidelines recommend use of a "snowboard" (a piece of wood about 16 inches by 16 inches) that is placed in an unobstructed part of the site on a hard surface.

¹⁰⁴ Heavy precipitation refers to instances during which the amount of rain or snow experienced in a location substantially exceeds what is normal. What constitutes a period of heavy precipitation varies according to location and season. Heavy precipitation does not necessarily mean the total amount of precipitation at a location has increased— just that precipitation is occurring in more intense or more frequent events.

¹⁰⁵ To determine if your facility is susceptible to an increased frequency of major storm events that could impact the discharge of pollutants in stormwater, you may reference FEMA, NOAA, or USGS flood map products at https://www.usgs.gov/faqs/where-can-i-find-flood-maps?qt-news_science_products=0#qtnews_science_products.

- iv. Temporarily store materials and waste above the Base Flood Elevation **[EPA notes that it has deleted a footnote reference to the term “Base Flood Elevation” since the same footnote is already included in Part 9.1.2.g, above.]** level;
 - v. Temporarily reduce or eliminate outdoor storage;
 - vi. Temporarily relocate any mobile vehicles and equipment to higher ground;
 - vii. Develop scenario-based emergency procedures for major storms that are complementary to regular stormwater pollution prevention planning and identify emergency contacts for staff and contractors; and
 - viii. Conduct staff training for implementing your emergency procedures at regular intervals.
- k. Pursuant to 314 CMR 3.11 (2)(a)6., and in accordance with MassDEP's obligation under 314 CMR 4.05(5)(e) to maintain surface waters free from pollutants in concentrations or combinations that are toxic to humans, aquatic life, or wildlife, permittees who seek coverage under the 2022 CGP and anticipate to carry out dust control shall limit their dust control methodology to using water only and specifically avoid using other techniques, such as solutions containing calcium chloride.
 - l. If MassDEP requests a copy of the Stormwater Pollution Prevention Plan (SWPPP) for any construction site at any time, the permittee shall submit the SWPPP to MassDEP within 14 days of such a request. MassDEP may conduct an inspection of any site covered by this permit to ensure compliance with state law requirements, including state water quality standards.

9.1.3 MTR10F000 Areas in the State of Vermont located at a federal facility

- a. Earth disturbance at any one time is limited to five acres.
- b. All areas of earth disturbance must have temporary or final stabilization within 14 days of the initial disturbance. After this time, disturbed areas must be temporarily or permanently stabilized in advance of any runoff producing event. A runoff producing event is an event that produces runoff from the construction site. Temporary stabilization is not required if precipitation is not forecast and work is to continue in the next 24-hours or if the work is occurring in a self-contained excavation (i.e. no outlet) with a depth of two feet or greater (e.g. house foundation excavation, utility trenches). Areas of a construction site that drain to sediment basins are not considered eligible for this exemption, and the exemption applies only to the excavated area itself.
- c. Site inspections on active construction sites shall be conducted daily during the period from October 15 through April 15.
- d. The use of chemical treatments (e.g. polymers, flocculants, and coagulants) for the settling and/or removal of sediment from stormwater runoff associated with construction and construction-related activities requires prior written approval and an approved site and project-specific plan, from the Vermont Agency of Natural Resources. In addition, the use of cationic polymers is prohibited unless approved by the Vermont Agency of Natural Resources under a site and project-specific plan.
- e. Any applicant under EPA's CGP shall allow authorized Vermont Agency of Natural Resources representatives, at reasonable times and upon presentation of credentials, to enter upon the project site for purposes of inspecting the project and determining

compliance with this Certification.

- f. The Vermont Agency of Natural Resources may reopen and alter or amend the conditions of this Certification over the life of the EPA 2022 Construction General Permit when such action is necessary to assure compliance with the VWQS.

9.2 EPA REGION 2

9.2.1 NYR10I000 Indian country within the State of New York

a. Saint Regis Mohawk Tribe

- i. Any Responsible-Person/Decision-Maker required under the CGP to submit a Notice of Intent (NOI) to EPA for coverage under the CGP, must concurrently submit an electronic copy of the NOI to the SRMT Environmental Division, Water Resource Program Manager. Additionally, an electronic copy of the Notice of Termination (NOT) must be provided within three business days after electronic confirmation is received from EPA that the NOT has been accepted. The NOI and NOT must be electronically provided to the following addresses:

Mr. Tieman W. Smith

Water Resources Program Manager Saint Regis Mohawk Tribe

449 Frogtown Road

Akwesasne, NY 13655 Tiernan.Smith@srmt-nsn.gov 518.358.2272 ext. 5073

- ii. Any Responsible-Person/Decision-Maker that is required as part of the CGP to prepare a Discharge Management Plan (OMP) or Storm Water Management Plan (SWMP) and/or Storm Water Pollution Prevention Plan (SWPPP) must submit an electronic copy of the DMP, SWMP and/or SWPPP to the SRMT Environment Division, Water Resources Program Manager IO business days prior to the start of construction of any work to be conducted under the CGP. The applicable documents must be provided to the electronic address listed above.
- iii. Any Responsible-Person/Decision-Maker that is required under the CGP to submit an annual report to EPA must submit an electronic copy of the annual report concurrently to the SRMT Water Resource Program. Additionally, any correspondences between the applicant and EPA related to analytical data, written reports, corrective action, enforcement, monitoring, or an adverse incident must likewise be routed to the SRMT Water Resources Program at the above electronic address.
- iv. An "Authorization to Proceed Letter" with site-specific mitigation requirements may be sent out to the permittee when a review of the NOI and OMP, SWMP and /or SWPPP on a case-by-case basis, is completed by the SRMT Environment Division, Water Resource Program. This approval will allow the application to proceed if all mitigation requirements are met.

b. Seneca Nation

- i. Under Part 1.1.5 of the CGP, the Seneca Nation requests that an applicant must demonstrate that they meet the eligibility criteria listed in Appendix D (certify in your Notice of Intent (NOI) that you meet one of the eligibility criteria [Criterion A-F]) as well as species and critical habitats that are listed under the Seneca Nation's "Fishing and Conservation Laws" and the "Seneca Nation of Indians Comprehensive Conservation Law".

- ii. The Tribal Historic Preservation Office (THPO) was established in 2000 after the Seneca Nation received a recognition letter from the National Park Service (NPS); therefore under Part 1.1.6 of the CGP (Appendix E) and prior to submitting a Notice of Intent (NOI) operators must complete the Nation's THPO, Project Review Form (<https://sni.org/media/246603/sni-thpo-project-review-form.pdf>) and submit the completed form with associated information to the Tribal Historic Preservation Officer at 90 Ohi:yo' Way, Salamanca, NY 14779. Federal agencies engaging in construction activities must provide for construction review by a certified construction reviewer in accordance with 7 Del. C. §§4010 & 4013 and 7 DE Admin. Code 5101, subsection 6.1.6.
- iii. Under Part 1.2 of the CGP, discharges must also follow the Section 13 of the Guide for Construction (Seneca Nation of Indians Source Water Code) and respectively, Council Resolution, dated April 13, 2013 (CN: R-04-13-13-11) to ensure that the health, safety and welfare of the citizens of the Seneca Nation, and all other within the Lands and Territories of the Seneca Nation of Indians, and to facilitate the adequate provisions of water through the elimination or prevention of ground water contamination in the vicinity of wells that supply drinking water for the Nation. The area is known as the Source Water Protection Area (SWPA) and specified activities are regulated within this SWPA, as cited in Section 13 of the Guide for Construction and Section VI, of CN: R-04-13-13-11.
- iv. Under Part 1.4, any operator who seeks coverage of the CGP, and is required to submit a notice of intent NOI and Notice of Termination (NOT) (as necessary) to the EPA for coverage, under Part 1.4.2 must also submit a copy of the NOI to the Seneca Nation's Environmental Protection Department (EPD) within three business days of submittal to the EPA, (address shown below). Respectively, a copy of the NOT (as described under Part 8.3 of the CGP), which certifies that you have met the requirements of Part 8, must be provided within three business days after electronic confirmation is received from the EPA that the NOT has been accepted. In addition to a NOI and NOT, the Seneca Nation (Environmental Protection Department [EPD]) would require an Environmental Impact Assessment (EA) (Long Form), as shown in Section 2 of the Seneca Nation of Indians Laws, Ordinances & Policies (Guide for Construction), to be completed and submitted to the EPD prior to any project to determine whether the impacts from a project would create significant and detrimental effects to the Nation's lands, water (violate WQS), and environment. The NOI, NOT, and EA must be submitted electronically to epd@sni.org and provided to the following address:
 - Seneca Nation
 - Environmental Protection Department (EPD) Attn: Director of EPD
 - 12837 Route 438
 - Irving, NY 14081
- v. Under Part 3.0 of the CGP, discharges must be controlled as necessary to meet applicable WQS. The Seneca Nation is working actively towards finalizing and implementing the; therefore, the EPD would require an applicant to submit or grant access to the permit to obtain information on the impact of effluents on receiving waters, including the capability of receiving waters to support future designated uses and achieve the WQS of the Nation; and to advise prospective dischargers of discharge requirements, and coordinate with the appropriate

permitting agencies. As stated in the Decision Document, under Section 303(c) of the CWA, 33 U.S.C. § 1313(c), states develop, review, and revise (as appropriate) water quality standards for surface waters of the United States. At a minimum, such standards are to include designated water uses, water quality criteria to protect such uses, and an antidegradation policy. 40 C.F.R. § 131.6. In addition, under Section 401 of the CWA states may grant, condition, or deny "certification" for federally permitted or licensed activities that may result in a discharge to the waters of the United States 33 U.S.C. § 1341.

- vi. Under Part 7.2.8(a)(b)(c) and for Part 9 of the CGP, the following Sections of the Seneca Nation's Guide for Construction shall be considered, in conjunction with the CGP:
 - (a) Section 1. Executive Order - To Establish a Policy for Governing Access to Nation Territories and Facilities by Officials of Foreign Government, dated March 31, 2011
 - (b) Section 3. Natural Resources Committee, Sand and Gravel Law (CN: R-06-24-05-08)
 - (c) Section 4. Fishing and Conservation Laws - Part 1.1.5 of the CGP
 - (d) Section 5. Seneca Nation of Indians Comprehensive Conservation Law, adopted January 14, 2012
 - (e) Section 9. Food is Our Medicine (FIOM) Program/Native Planting Policy (CN: R-03-08-14-14)
 - (f) Section 10. Forestry Management Plan (CN: R-08-14-10-23)
 - (g) Section 11. Timber Ordinance #411-092, dated May 8, 1982
 - (h) Section 14. Flood Damage Prevention Local Law, dated September 27, 1988
 - (i) Section 16. Utilities Ordinance No. 87-100
 - (j) Authorizing Emergency Action and Contingency Plan to Restrain Pollution of Nations Waters, (Council Resolution: R-03-01-18-10), dated March 10, 2018
Seneca Nation of Indians Permit Application for Construction within Waterways Permit, Form NR98-01.00

9.3 EPA REGION 3

9.3.1 DCR100000 District of Columbia

- a. Discharges authorized by this permit shall comply with the District of Columbia Water Pollution Control Act of 1984, as amended (DC Official Code § 8-103.01 and § 8-103.06, et seq.) to ensure that District of Columbia waters, waters in adjacent and downstream states, and the beneficial uses of these waters will not be harmed or degraded by the discharges.
- b. Discharges authorized by this permit must comply with §§ 1104.1 and 1104.8 of Chapter 11 and the provisions of Chapter 19 of Title 21 of District of Columbia Municipal Regulations in order to attain and maintain designated uses of the District of Columbia waters.

- c. The permittee shall comply with the District of Columbia Stormwater Management and Soil Erosion and Sediment Control regulations in Chapter 5 of Title 21 of the District of Columbia Municipal Regulations.
- d. The permittee shall comply with the District of Columbia Flood Management Control regulations in Chapter 31 of Title 20 of the District of Columbia Municipal Regulations.
- e. The permittee shall submit a copy of the Stormwater Pollution Prevention Plan (SWPPP) to the Regulatory Review Division, Department of Energy & Environment, Government of the District of Columbia, 1200 First Street, NE, 5th Floor, Washington, DC 20002, during the review and approval of the permittee's DOEE Erosion and Sediment Control Plan in accordance with the provisions of Chapter 542 of Title 21 of the District of Columbia Municipal Regulations.
- f. Upon request, the permittee shall submit all inspection and monitoring reports as required by this permit and 40 CFR § 122.41 to the Associate Director, Inspection and Enforcement Division, Department of Energy & Environment, Government of the District of Columbia, 1200 First Street, NE, 5th Floor, Washington, DC 20002; telephone (202) 535-2226, or by email at Joshua.Rodriguez@dc.gov.
- g. In the event the permittee intends to discharge dewatering water, groundwater, or groundwater comingled with stormwater from a known contaminated site, the permittee shall contact the Regulatory Review Division, Department of Energy & Environment, Government of the District of Columbia, 1200 First Street, NE, 5th Floor, Washington, DC 20002; telephone (202) 535-2600, or by email at MS4DischargeAuthorization@dc.gov to request authorization to discharge dewatering water, groundwater, or groundwater comingled with stormwater to the District's Municipal Separate Storm Sewer System (MS4) or to a surface water body pursuant to §§ 8-103.02, 8-103.06, and 8-103.07 of the District of Columbia Water Pollution Control Act of 1984, as amended.

9.3.2 DER10F000 Areas in the State of Delaware located at a federal facility (as defined in Appendix A)

- a. Federal agencies must submit a sediment and stormwater management plan (SSMP) and receive Department approval prior to undertaking any land clearing, soil movement or construction activity unless conducting an exempt activity.
- b. Federal construction activities are required to have a third-party Certified Construction Reviewer (CCR) perform weekly reviews to ensure the adequacy of construction activities pursuant to the approved SSMP and regulations. Implementation of approved SSMPs requires the daily oversight of construction activity by certified responsible personnel.
- c. Implementation of approved SSMPs requires the daily oversight of construction activity by certified responsible personnel.
- d. A current copy of the SSMP must be maintained at the construction site.
- e. Unless authorized by the Department, not more than 20 acres may be disturbed at any one time.

9.4 EPA REGION 4

No additional conditions

9.5 EPA REGION 5**9.5.1 MIR101000 Indian country within the State of Minnesota****a. Fond du Lac Reservation**

- i. New dischargers wishing to discharge to an Outstanding Reservation Resource Water (ORRW)¹⁰⁶ must obtain an individual permit from EPA for storm water discharges from large and small construction activities.
- ii. A copy of the Storm Water Pollution Prevention Plan (SWPPP) must be submitted to the Office of Water Protection at least fifteen (15) days in advance of sending the Notice of Intent to EPA. The SWPPP can be submitted electronically to richardgitar@FDLREZ.com or by hardcopy sent to:
 - Fond du Lac Reservation
 - Office of Water Protection
 - 1720 Big Lake Road
 - Cloquet, MN 55720
- iii. Copies of the Notice of Intent (NOI) and the Notice of Termination (NOT) must be sent to the Fond du Lac Office of Water Protection at the same time they are submitted to EPA. [The condition helps the Office of Water Protection keep track of when a project is about to start and when it has ended. FDL Water Quality Certification Ordinance, Section 204 (a) (2)].
- iv. If the project will entail a discharge to any watercourse or open water body, the turbidity limit shall NOT exceed 10% of natural background within the receiving water(s) as determined by Office of Water Protection staff. For such discharges, turbidity sampling must take place within 24 hours of a ½-inch or greater rainfall event. The results of the sampling must be reported to the Office of Water Protection within 7 days of the sample collection. All sample reporting must include the date and time, location (GPS: UTM/Zone 15), and NTU. CGP applicants are encouraged to work with the Office of Water Protection in determining the most appropriate location(s) for sampling. [This condition helps both the Office of Water Protection and the project proponent in knowing whether or not their erosion control efforts are effective. FDL Water Quality Certification, Section 204 (b) (1)].
- v. Receiving waters with open water must be sampled for turbidity prior to any authorized discharge as determined by Office of Water Protection staff. This requirement only applies to receiving waters which no ambient turbidity data exists. [This condition allows the Office of Water Protection to obtain a baseline turbidity sample in which to compare to other samples. FDL Water Quality Certification Ordinance, Section 204 (b) (2)].
- vi. All work shall be carried out in such a manner as will prevent violations of water quality criteria as stated in the Water Quality Standards of the Fond du Lac Reservation, Ordinance #12/98, as amended. This includes, but is not limited to, the prevention of any discharge that causes a condition in which visible solids, bottom deposits, or turbidity impairs the usefulness of water of the Fond du Lac

¹⁰⁶ Although additional waters may be designated in the future, currently Perch Lake, Rice Portage Lake, Miller Lake, Deadfish Lake, and Jaskari Lake are designated as ORRWs.

Reservation for any of the uses designated in the Water Quality Standards of the Fond du Lac Reservation. These uses include wildlife, aquatic life, warm water fisheries, cold water fisheries, subsistence fishing (netting), primary contact recreation, secondary contact recreation, cultural, wild rice areas, aesthetic waters, agriculture, navigation, commercial and wetlands. It also includes the designated uses of wetlands including, but not limited to, baseflow discharge, cultural opportunities, flood flow attenuation, groundwater recharge, indigenous floral and fauna) diversity and abundance, nutrient cycling, organic carbon export/cycling, protection of downstream water quality, recreation, resilience against climactic effects, sediment/shoreline stabilization, surface water storage, wild rice, and water dependent wildlife. [In addition to listing the designated uses of waters of the Fond du Lac Reservation, this condition also limits the project proponent to discharges that will not violate our Water Quality Standards. FDL Water Quality Certification Ordinance, Section 204 (a) (7)].

- vii.** Appropriate steps shall be taken to ensure that petroleum products or other chemical pollutants are prevented from entering waters of the Fond du Lac Reservation. All spills must be reported to the appropriate emergency management Agency (National Response Center AND the State Duty Officer), and measures shall be taken immediately to prevent the pollution of waters of the Fond du Lac Reservation, including groundwater. The Fond du Lac Office of Water Protection must also be notified immediately of any spill regardless of size. [This condition helps protect water quality and also reminds project proponents of their responsibility in reporting spill events. FDL Water Quality Certification Ordinance, Section 204 (b) (3)].
- viii.** All seed mixes, whether used for temporary stabilization or permanent seeding, shall NOT contain any annual ryegrass (*Lolium* species). Wild rye (*Elymus* species) or Oats (*Avena* species) may be used as a replacement in seed mixes. [This condition prevents the use of annual ryegrass on the Reservation. Annual ryegrass is allelopathic, which means it produces biochemical in its roots that inhibit the growth of native plants. If used in seed mixes, annual ryegrass could contribute to erosion, especially on slopes. However, the condition also specifies substitute grasses that germinate almost as fast as annual ryegrass for use as a cover crop to help prevent erosion. FDL Water Quality Certification Ordinance, Section 204 (t) (1)].
- ix.** To prevent the introduction of invasive species, ALL contractors and subcontractors MUST disclose information stating prior equipment location(s) and ALL known invasive species potentially being transported from said location(s). All equipment MUST undergo a high pressure wash (including any equipment mats) BEFORE ENTERING the Fond du Lac Reservation. Personal equipment such as work boots, gloves, vest, etc. MUST be clean of debris, dirt and plant and animal material BEFORE ENTERING the Fond du Lac Reservation. Equipment being transported from known infested areas MUST undergo a high pressure wash as soon as possible after leaving the infested site and again BEFORE ENTERING the Fond du Lac Reservation, to avoid transport of invasive species into areas surrounding the Reservation. Written certification of equipment cleaning MUST be provided to the Fond du Lac Office of Water Protection. Upon arrival, ALL contractor and subcontractor equipment will be inspected by appointed Fond du Lac staff. If equipment is deemed unsatisfactory, the equipment MUST

undergo a high pressure washing until the equipment is cleared by the inspector, until such time, minimal travel will be allowed through the Reservation. The contractor shall be held responsible for the control of any invasive species introduced as a result of their project. [This condition requires the project proponent to prevent the inadvertent introduction of invasive species by taking an active role in cleaning all vehicles, equipment, and equipment mats before entering the Reservation. This condition has been placed in certifications since 2012, due to the introduction of Wild Parsnip in 2011 from a pipeline contractor. It is much easier to prevent the introduction of an invasive species than it is to eradicate it once it has been introduced. Many invasive plant species form monocultures, preventing native plants from growing. This situation often leads to cases of erosion, which in turn effects water quality. FOL Water Quality Certification Ordinance, Section 204 (g) (1)].

- x. A copy of this certification MUST be kept by the contractor on-site at all times and be available for viewing by all personnel, including inspectors. [This condition ensures that the information contained in the certification, especially the conditions, is readily available onsite for reference. FOL Water Quality Certification Ordinance, Section 204 (a) (9)].

b. The Grand Portage Band of Lake Superior Chippewa

- i. The CGP authorization is for construction activities that may occur within the exterior boundaries of the Grand Portage Reservation in accordance to the Grand Portage Land Use Ordinance. The CGP regulates stormwater discharges associated with construction sites of one acre or more in size. Only those activities specifically authorized by the CGP are authorized by this certification (the "Certification").
- ii. All construction stormwater discharges authorized by the CGP must comply with the Water Quality Standards and Water Resources Ordinance, as well as Applicable Federal Standards (as defined in the Water Resources Ordinance).
- iii. All appropriate steps must be taken to ensure that petroleum products or other chemical pollutants are prevented from entering the Waters of the Reservation. All spills must be reported to the appropriate emergency-management agency, and measures must be taken to prevent the pollution of the Waters of the Reservation, including groundwater.
- iv. The 2022 CGP requires inspections and monitoring reports of the construction site stormwater discharges by a qualified person. Monitoring and inspection reports must comply with the minimum requirements contained in the 2022 CGP. The monitoring plan must be prepared and incorporated into the Storm Water Pollution Prevention Plan (the "SWPP"). A copy of the SWPP must be submitted to the Board at least 30 days in advance of sending the requisite Notice of Intent to EPA. The SWPP should be sent to:

Grand Portage Environmental Resources Board
P.O. Box 428
Grand Portage, MN 55605

Copies of the Notice of Intent and Notice of Termination required under the General Permit must be submitted to the Board at the address above at the same time they are submitted to the EPA.

- v. If requested by the Grand Portage Environmental Department, the permittee must provide additional information necessary for a case-by-case eligibility determination to assure compliance with the Water Quality Standards and any Applicable Federal Standards. The burden is on the applicant to demonstrate compliance with the Water Quality Standards, the Water Resources Ordinance, and Applicable Federal Standards whether or not the application is ultimately eligible for the CGP.
 - vi. CGP discharges must not cause nuisance conditions as defined in Grand Portage Water Quality Standards.
 - vii. The Board retains full authority to ensure compliance with and to enforce the provisions of the Water Resource Ordinance and Water Quality Standards, Applicable Federal Standards, and these Certification conditions. Nothing herein affects the scope or applicability of other controlling tribal or federal requirements, including but not limited to impacts to cultural, historical, or archeological features or sites, or properties that may be eligible for listing on the National Register of Historic Places under the National Historic Preservation Act, 54 U.S.C. §§ 300101 et seq.
 - viii. Appeals related to Board actions taken in accordance with any of the preceding conditions may be heard by the Grand Portage Tribal Court.
- c. Leech Lake Band of Ojibwe**
- i. The water quality standards that apply to the construction site are the standards at the time the operator submits its Notice of Intent (NOI) to EPA and the LLBO WRP (see conditions # 2 and # 3).
 - ii. A copy of the Stormwater Pollution Prevention Plan (SWPPP) must be submitted to the LLBO WRP at least 30 days in advance of sending the NOI for the project to EPA. See attached LLBO 401 Water Quality Certification Ordinance. Section 304(a)(1). The SWPPP should be submitted electronically to Jeff.Harper@llojibwe.net and by hardcopy sent to:
Leech Lake Band of Ojibwe
ATTN: Water Resources Program - 401 Cert
Division of Resource Management
190 Sailstar Drive NW
Cass Lake, Minnesota 56633
 - iii. Copies of the NOI and the Notice of Termination (NOT) must be submitted to the LLBO WRP at the same time they are submitted to EPA. See attached LLBO 401 Water Quality Certification Ordinance, Section 304(a)(2). The NOI and NOT should be submitted electronically to Jeff.Harper@llojibwe.net and sent by hardcopy to the address cited in condition # 2.
 - iv. Any and all other conditions listed in Section 304 of the attached LLBO 401 Water Quality Certification Ordinance shall be observed unless the LLBO WRP deems that certain conditions therein are not applicable to the project in need of a permit under this certification.
 - v. A copy of this certification MUST be kept by the contractor on-site at all times and be available for viewing by all personnel, including inspectors.

- vi. Upon consideration of the NOI, if the LLBO WRP finds that the discharge will not be controlled as necessary to meet applicable water quality standards, the LLBO WRP may insist, consistent with Part 3.1 of the CGP, that additional controls are installed to meet applicable water quality standards, or recommend to EPA that the operator obtain coverage under an individual permit.

9.5.2 WIR10I000 Indian country within the State of Wisconsin

a. Bad River Band of Lake Superior Tribe of Chippewa Indians

- i. Only those activities specifically authorized by the CGP are authorized by this Certification. This Certification does not authorize impacts to cultural properties, or historical sites, or properties that may be eligible for listing as such.
- ii. All projects which are eligible for coverage under the CGP and are located within the exterior boundaries of the Bad River Reservation shall be implemented in such a manner that is consistent with the Tribe's Water Quality Standards (WQS). The Tribe's WQS can be viewed at: http://www.badriver-nsn.gov/wp-content/uploads/2020/01/NRD_WaterQualityStandards_2011.pdf
- iii. Operators are not eligible to obtain authorization under the CGP for all new discharges to an Outstanding Tribal Resource Water (OTRW or Tier 3 water). OTRWs, or Tier 3 waters, include the following: Kakagon Slough and the lower wetland reaches of its tributaries that support wild rice, Kakagon River, Bad River Slough, Honest John Lake, Bog Lake, a portion of Bad River, from where it enters the Reservation through the confluence with the White River, and Potato River. OTRWs can be viewed at: <https://www.arcgis.com/apps/View/index.html?appid=6f44c371217e4ee8b5f1c2c705c7c7c5>
- iv. An operator proposing to discharge to an Outstanding Resource Water (ORW or Tier 2.5 water) under the CGP must comply with the antidegradation provisions of the Tribe's WQS. ORWs, or Tier 2.5 waters, include the following: a portion of Bad River, from downstream the confluence with the White River to Lake Superior, White River, Marengo River, Graveyard Creek, Bear Trap Creek, Wood Creek, Brunsweller River, Tyler Forks, Bell Creek, and Vaughn Creek. ORWs can be viewed at: <https://www.arcgis.com/apps/View/index.html?appid=6f44c371217e4ee8b5f1c2c705c7c7c5>. The antidegradation demonstration materials described in provision E.4.iii., and included on the antidegradation demonstration template found at: <https://www.badriver-nsn.gov/natural-resources/projectreviews/>, must be submitted to the following address:
 - Bad River Tribe's Natural Resources Department
 - Attn: Water Regulatory Specialist
 - P.O. Box 39 Odanah, WI 54861
 - WaterReg@badriver-nsn.gov
- v. An operator proposing to discharge to an Exceptional Resource Water (ERW or Tier 2 water) under the CGP must comply with the antidegradation provisions of the Tribe's WQS. ERWs, or Tier 2 waters, include the following: any surface water within the exterior boundaries of the Reservation that is not specifically classified as an Outstanding Resource Water (Tier 2.5 water) or an Outstanding Tribal Resource Water (Tier 3 water). ERWs can be viewed at:

<https://www.arcgis.com/apps/View/index.html?appid=6f44c371217e4ee8b5f1c2c705c7c7c5>. The antidegradation demonstration materials described in provision E.4.ii., and included on the antidegradation demonstration template found at: <https://www.badriver-nsn.gov/natural-resources/projectreviews/>, must be submitted to the following address:

Bad River Tribe's Natural Resources Department
Attn: Water Regulatory Specialist
P.O. Box 39 Odanah, WI 54861
WaterReg@badriver-nsn.gov

- vi.** Projects utilizing cationic treatment chemicals within the Bad River Reservation boundaries are not eligible for coverage under the CGP.
- vii.** A discharge to a surface water within the Bad River Reservation boundaries shall not cause or contribute to an exceedance of the turbidity criterion included in the Tribe's WQS, which states: Turbidity shall not exceed 5 NTU over natural background turbidity when the background turbidity is 50 NTU or less, or turbidity shall not increase more than 10% when the background turbidity is more than 50 NTU.
- viii.** All projects which are eligible for coverage under the CGP within the exterior boundaries of the Bad River Reservation must comply with the Bad River Reservation Wetland and Watercourse Protection Ordinance, or Chapter 323 of the Bad River Tribal Ordinances, including the erosion and sedimentation control, natural buffer, and stabilization requirements. Questions regarding Chapter 323 and requests for permit applications can be directed to the Wetlands Specialist in the Tribe's Natural Resources Department at (715) 682-7123 or wetlands@badriver-nsn.gov.
- ix.** An operator of a project, which is eligible for coverage under the CGP, that would result in an allowable discharge under the CGP occurring within the exterior boundaries of the Bad River Reservation must notify the Tribe prior to the commencing earth-disturbing activities. The operator must submit a copy of the Notice of Intent (NOI) to the following addresses at the same time it is submitted to the U.S. EPA:

Bad River Tribe's Natural Resources Department
Attn: Water Regulatory Specialist
P.O. Box 39 Odanah, WI 54861
WaterReg@badriver-nsn.gov

Bad River Tribe's Natural Resources Department
Attn: Tribal Historic Preservation Officer (THPO)
P.O. Box 39 Odanah, WI 54861
THPO@badriver-nsn.gov

The operator must also submit a copy of the Notice of Termination (NOT) to the above addresses at the same time it is submitted to the U.S. EPA. Photographs showing the current site conditions must be included as part of the NOT to document the stabilization requirements have been met.

- x.** The THPO must be provided 30 days to comment on the project.

- xi.** The operator must obtain THPO concurrence in writing. This written concurrence will outline measures to be taken to prevent or mitigate effects to historic properties. For more information regarding the specifics of the cultural resources process, see 36 CFR Part 800. A best practice for an operator is to consult with the THPO during the planning stages of an undertaking.
- xii.** An operator of a project, which is eligible for coverage under the CGP, that would result in an allowable discharge under the CGP occurring within the exterior boundaries of the Bad River Reservation must submit a copy of the Stormwater Pollution Prevention Plan (SWPPP) to the following address at the same time as submitting the NOI:
 - Bad River Tribe's Natural Resources Department
 - Attn: Water Regulatory Specialist
 - P.O. Box 39 Odanah, WI 54861
 - WaterReg@badriver-nsn.gov
- xiii.** Any corrective action reports that are required under the CGP must be submitted to the following address within one (1) working day of the report completion:
 - Bad River Tribe's Natural Resources Department
 - P.O. Box 39 Odanah, WI 54861
 - WaterReg@badriver-nsn.gov
- xiv.** An operator of a project, which is eligible for coverage under the CGP, that would result in an allowable discharge under the CGP occurring within the exterior boundaries of the Bad River Reservation must submit a copies of the inspection reports (including photographs) to the following address within 24 hours of completing any site inspection required:
 - Bad River Tribe's Natural Resources Department Attn: Water Regulatory Specialist
 - P.O. Box 39 Odanah, WI 54861
 - WaterReg@badriver-nsn.gov
- xv.** An operator shall be responsible for meeting any additional permit requirements imposed by the U.S. EPA necessary to comply with the Tribe's antidegradation policies if the discharge point is located upstream of waters designated by the Tribe.

9.6 EPA REGION 6

9.6.1 NMR100000 State of New Mexico, except Indian country

- a.** In Outstanding National Resource Waters (ONRWs) in New Mexico, no degradation is permitted except in limited, specifically defined instances. Therefore, Operators are not eligible to obtain authorization under this general permit for stormwater discharges to waters classified as ONRWs listed in Paragraph D of 20.6.4.9 New Mexico Administrative Code (NMAC), also referred to as "Tier 3 waters" as defined in Appendix A of this permit. Exception: When construction activities are in response to a public emergency (e.g., wildfire, extreme flooding, etc.) and the related work requires immediate authorization to avoid a threat to public health or safety.
 - i.** Operators who conduct construction activities in response to a public emergency to mitigate an immediate threat to public health or safety shall

adhere to the requirements in 20.6.4.8(A)(3)(c) NMAC, including notifying the New Mexico Environment Department (NMED) within seven days of initiation of the emergency action and providing NMED with a summary of the action taken within 30 days of initiation of the emergency action.

- ii. For all other scenarios, Operators with proposed discharges to ONRWs in New Mexico shall obtain coverage from EPA under an NPDES Individual Permit and will comply with the additional standards and regulations related to discharges to ONRWs in 20.6.4.8(A) NMAC. Additional information is available from:
 - New Mexico Environment Department Surface Water Quality Bureau
 - P.O. Box 5469
 - Santa Fe, NM 87502-5469 Telephone: 505-827-0187
 - <https://www.env.nm.gov/surface-water-quality/wqs/>
 - <https://gis.web.env.nm.gov/oem/?map=swqb>
- b. If construction dewatering activities are anticipated at a construction site and non-stormwater discharges of groundwater, subsurface water, spring water, and/or other dewatering water are anticipated, the Operators/Permittees must complete the following steps:
 1. Review the state's Ground Water Quality Bureau Mapper (<https://gis.web.env.nm.gov/GWQB/>) and Petroleum Storage Tank Bureau Mapper (<https://gis.web.env.nm.gov/GWQB/>).

Check if the following sources are located within the noted distance from the anticipated construction dewatering activity. At a minimum, a list of the following potential sources of contaminants and pollutants at the noted distance is to be kept in the SWPPP.

| Source of Potential Contamination or Pollutants* | Constituents likely to be required for testing* |
|---|---|
| Within 0.5 mile of an open Leaking Underground Storage Tank (LUST) site | BTEX (Benzene, Toluene, Ethylbenzene, and Xylene) plus additional parameters depending on site conditions** |
| Within 0.5 mile of an open Voluntary Remediation site | All applicable parameters or pollutants listed in 20.6.4.13, 20.6.4.52, 20.6.4.54, 20.6.4.97 thru 20.6.4.99, 20.6.4.101 through 20.6.4.899, and 20.6.4.900 NMAC (or an alternate list approved by the NMED-SWQB)* |
| Within 0.5 mile of an open RCRA Corrective Action Site | |
| Within 0.5 mile of an open Abatement Site | |
| Within 0.5 mile of an open Brownfield Site | |
| Within 1.0 mile or more of a Superfund site or National Priorities List (NPL) site with associated groundwater contamination. | |
| Construction activity contaminants and/or natural water pollutants | Additional parameters depending on site activities and conditions (Contact NMED- SWQB for an alternate list)* |

*For further assistance determining whether dewatering may encounter contaminated sources, please contact the NMED Ground Water Quality Bureau at 505-827-2965 or NMED Surface Water Quality Bureau (SWQB) at 505-827-0187.

** EPA approved sufficiently sensitive methods must be used. For known PCB sources and analysis, EPA Method 1668C must be used (see <https://www.epa.gov/cwa-methods>).

2. If dewatering activities are anticipated, information on the flow rate and potential to encounter contaminated groundwater, subsurface water, spring water, or dewatering water must be provided directly to NMED at the following address:

NMED Surface Water Quality Bureau
 Program Manager, Point Source Regulation
 Section PO Box 5469, Santa Fe, NM 87502

Please call the SWQB to obtain the appropriate email address (505-827-0187).

3. In addition, the Operator/Permittee must characterize the quality of the groundwater and subsurface water, spring water, or dewatering water being considered for discharge according to the table above and including dissolved hardness and pH. Considering the contaminant sources listed in the table above, water quality data may already be available. For further assistance, contact the

NMED Surface Water Quality Bureau (505-827-0187), Ground Water Quality Bureau (505-827- 2965), Petroleum Storage Tank Bureau (505-476-4397), or Hazardous Waste Bureau (505-476- 6000).

- i. The Operator/Permittee must submit recent analytical test results (i.e., within the past 5 years) according to the table above, and including dissolved hardness and pH, to the EPA Region 6 Stormwater Permit Contact and the NMED Surface Water Quality Bureau (see contact information in #2 above). If the test data exceed applicable water quality standards, then the groundwater, subsurface water, spring water, or dewatering water cannot be discharged into surface waters under this general permit. Operators/Permittees may submit an NPDES Individual Permit application to treat and discharge to waters of the U.S. or find alternative disposal measures. No discharges to surface waters are allowed until authorized.
 - ii. If the discharge has the potential to affect groundwater (e.g., land application), the Operator/Permittee must submit an NOI to the NMED Ground Water Quality Bureau (see 20.6.2.1201 NMAC – Notice of Intent to Discharge).
4. The Operator/Permittee must document any findings and all correspondence with NMED and EPA in the SWPPP.
- c.** Operators who intend to obtain authorization under this permit for new and existing storm water discharges from construction sites must satisfy the following condition:
- i.** The SWPPP must include site-specific interim and permanent stabilization, managerial, and structural solids, erosion and sediment control best management practices (BMPs) and/or other controls that are designed to prevent to the maximum extent practicable an increase in the sediment yield and flow velocity from pre-construction, pre-development conditions to assure that applicable standards in 20.6.4 NMAC, including the antidegradation policy, and TMDL waste load allocations (WLAs) are met. This requirement applies to discharges both during construction and after construction operations have been completed. The SWPPP must identify and document the rationale for selecting these BMPs and/or other controls. The SWPPP must also describe design specifications, construction specifications, maintenance schedules (including a long-term maintenance plan), criteria for inspections, and expected performance and longevity of these BMPs. For sites greater than 5 acres in size, BMP selection must be made based on the use of appropriate soil loss prediction models (i.e. SEDCAD, RUSLE, SEDIMOT, MULTISED, etc.) OR equivalent generally accepted (by professional erosion control specialists) soil loss prediction tools.
 - ii.** For all sites, the Operator(s) must demonstrate, and include documentation in the SWPPP, that implementation of the site-specific practices will ensure that the applicable standards and TMDL WLAs are met, and will result in sediment yields and flow velocities that, to the maximum extent practicable, will not be greater than the sediment yield levels and flow velocities from preconstruction, pre-development conditions.
 - iii.** All SWPPPs must be prepared in accordance with good engineering practices by qualified (e.g., CPESC certified, engineers with appropriate training) erosion control specialists familiar with the use of soil loss prediction models and design of erosion and sediment control systems based on these models (or equivalent soil

loss prediction tools). Qualifications of the preparer (e.g., professional certifications, description of appropriate training) must be documented in the SWPPP. The Operator(s) must design, implement, and maintain BMPs in the manner specified in the SWPPP.

NMED supports the use of EPA's small residential lot template if a site qualifies to use it as explained in the permit, as long as it is consistent with the above requirements. NMED's requirement does not preclude small residential sites from using the template, but it may require an additional short paragraph to justify the selection of specific BMPs for the site.

- d. Operators must notify NMED when discharges of toxic or hazardous substances or oil from a spill or other release occurs - see Emergency Spill Notification Requirements, Part 2.3.6 of the permit. For emergencies, Operators can call 505-827-9329 at any time. For non-emergencies, Operators can call 866-428-6535 (voice mail 24-hours per day) or 505-476-6000 during business hours from 8am-5pm, Monday through Friday. Operators can also call the NMED Surface Water Quality Bureau directly at 505-827-0187.
- e. Operators of small construction activities (i.e., 1-5 acres) are not eligible to qualify for a waiver in lieu of needing to obtain coverage under this general permit based on Item C.3 of Appendix C (Equivalent Analysis Waiver) in the State of New Mexico.

9.6.2 NMR10I000 Indian country within the State of New Mexico, except Navajo Reservation Lands that are covered under Arizona permit AZR10000I and Ute Mountain Reservation Lands that are covered under Colorado permit COR10000I.

a. Nambe Pueblo

- i. The operator must provide a copy of the Notice of Intent (NOI) and Notice of Termination (NOT) to the Nambe Pueblo Governor's Office at the same time it is provided to the US Environmental Protection Agency. The NOI and NOT should be provided to the following address:
 - Office of the Governor Nambe Pueblo
 - ISA NPI02 WEST
 - Nambe Pueblo, New Mexico 87506
- ii. The operator must provide a copy of the Storm Water Pollution Prevention Plan (SWPPP) to Nambe Pueblo at the same time it is submitted to the EPA, either by email to governor@nambepueblo.org or mailed to the above address.
- iii. The operator must provide copies of inspection reports, a copy of the corrective action log, and modifications made to the SWPPP as a result of inspection findings, upon request by the Nambe Pueblo Department of Environmental and Natural Resources or Nam be Governor.

b. Ohkay Owingeh Tribe

- i. All operators obtaining permit coverage under the EPA CGP, must submit a copy of the certified (signed) Notice of Intent (NOI) to the Ohkay Owingeh Office of Environmental Affairs, a copy of NOI modifications and the Notice of Termination (NOT), must be provided within three business days after EPA provides electronic confirmation that the submission has been received. The NOI and NOT must be provided to the following address:

Naomi L. Archuleta - Environmental Programs Manager Ohkay Owingeh
Office of Environmental Affairs
P.O. Box 717
Ohkay Owingeh, NM 87566
naomi.archuleta@ohkay.org

Noah Kaniatobe - Environmental Specialist Ohkay Owingeh, Office of
Environmental Affairs
P.O. Box 717
Ohkay Owingeh, NM 87566
noah.kaniatohe@ohkay.org

- ii. All operators obtaining permit coverage under the EPA CGP, must submit an electronic copy of the Storm Water Pollution Prevention Plan (SWPPP) to Ohkay Owingeh Office of Environmental Affairs at the same time that the NOI is submitted to the tribe (see contact information listed above).
- iii. Following each incident where the operator takes a corrective action the operator must provide the corrective action log to the Ohkay Owingeh Office of Environmental Affairs.
- iv. The operator must notify Ohkay Owingeh Office of Environmental Affairs within 24 hours, in the event of an emergency spill in addition to the notification requirements at Part 2.3.6 of the CGP. Please contact: Ohkay Owingeh Tribal Police Department at 505.852.2757.

*Please contact:
Ohkay Owingeh
Tribal Police Department
505.852.2757*

c. Pueblo of Isleta

- i. All operators obtaining permit coverage under the EPA CGP must submit a copy of the certified Notice of Intent (NOI) to the Pueblo of Isleta at the same time it is submitted to EPA for projects occurring within the exterior boundaries of the Pueblo of Isleta. Additionally, a copy of NOI modifications and the Notice of Termination (NOT), must be provided within three business days after EPA provides electronic confirmation that the submission has been received. The Notices must be provided to the following address:
Water Quality Control Officer Pueblo of Isleta
Environment Department PO Box 1270
Isleta NM 87022
505-869-7565
WQCO@isletapueblo.com
- ii. The operator must notify the Pueblo of Isleta's Dispatch at 505-869-3030 as soon as possible and the Pueblo of Isleta Water Quality Control Officer within 10 hours, in the event of a spill of hazardous or toxic substances or if health or the

environment become endangered in addition to the notification requirements at Part 2.3.6 and at I.12.6.1 of the CGP.

- iii. All operators obtaining permit coverage under the EPA CGP must submit an electronic copy of the Stormwater Pollution Prevention Plan (SWPPP) to the Pueblo of Isleta Water Quality Control Officer at the above address, 30 days prior to submitting the certified NOI to EPA. If the electronic file is too large to send through e-mail, a zip file or flash drive may be submitted.
 - iv. All operators obtaining permit coverage under the EPA CGP must give 2 days advance notice to the Pueblo of Isleta Water Quality Control Officer of any planned changes in the permitted activity which may result in noncompliance with permit requirements.
 - v. All operators obtaining permit coverage under the EPA CGP must post a sign or other notice of permit coverage at a safe, publicly accessible location in close proximity to the construction site. The notice must be located so that it is visible from the public road or tribal road that is nearest to the active part of the construction site. The sign must be maintained on-site from the time construction activities begin until final stabilization is met.
 - vi. Erosion and sediment controls shall be designed to retain sediment on-site and project-generated waste materials that have the potential to discharge pollutants shall not be placed on open soil or on a surface that is not stabilized. Volumes of sediment over five (5) cubic yards must be removed from the active construction site; additionally, if sediment is placed for disposal within the exterior boundaries of the Pueblo of Isleta, disposal must be within a tribally approved sediment disposal site.
- d. Pueblo of Laguna**
- i. All operators obtaining permit coverage under the EPA CGP must submit an electronic copy of the certified (signed) Notice of Intent (NOI) to the Pueblo of Laguna's Environmental & Natural Resources Department (ENRD) within three business days of submittal to the EPA. Additionally, a copy of NOI modifications and the Notice of Termination (NOT), must be provided within three business days after the EPA provides electronic confirmation that the submission has been received. The NOI and NOT must be electronically submitted to info.environmental@pol-nsn.gov.
 - ii. All operators obtaining permit coverage under the EPA CGP must submit an electronic copy of the Stormwater Pollution Prevention Plan (SWPPP) to the Pueblo of Laguna's ENRD 14 days prior to the submittal of the NOI (see contact information listed above).
 - iii. The operator must provide copies of corrective actions logs and modifications made to the SWPPP as a result of inspection findings to the Pueblo of Laguna ENRD (see contact information above).
 - iv. In addition to the notification requirements of Part 2.3.6 of the CPG **[EPA interprets this intending to refer to the CGP]**, the operator must notify the Pueblo of Laguna ENRD at 505-552-7512 in the event of an emergency spill as soon as possible.
- e. Pueblo of Sandia. The following conditions apply only to discharges on the Pueblo of Sandia Reservation:**

- i. All operators obtaining permit coverage under the EPA CGP, must submit a copy of the certified (signed) Notice of Intent (NOI) to the Pueblo of Sandia Environment Department concurrently with submittal to the EPA. Additionally, a copy of NOI modifications and the Notice of Termination (NOT), must be provided concurrently with submittal to the EPA. The NOI and NOT must be provided electronically to the following addresses:
Electronic Addresses:

Amy Rosebrough (Water Quality Manager): rosebrough@sanidapueblo.nsn.us
Greg Kaufman (Environment Director): gkaufman@sandiapueblo.nsn.us
 - ii. All operators obtaining permit coverage under the EPA CGP, must submit an electronic copy of the Stormwater Pollution Prevention Plan (SWPPP) to the Pueblo of Sandia Environment Department at least 14 days prior to submittal of the NOI to the Pueblo (see contact information listed above).
 - iii. If requested by the Pueblo of Sandia Environment Department, the permittee must provide additional information necessary on a case-by-case basis to assure compliance with the Pueblo of Sandia Water Quality Standards and/or applicable Federal Standards.
 - iv. An "Authorization to Proceed Letter" with site specific mitigation requirements may be sent out to the permittee when a review of the NOI and SWPPP, on a case-by-case basis, is completed by the Pueblo of Sandia Environment Department. This approval will allow the application to proceed if all mitigation requirements are met.
 - v. The Pueblo of Sandia will not allow Small Construction Waivers (Appendix C) to be granted for any small construction activities.
 - vi. The operator must provide copies of inspection reports, a copy of the corrective action log, and modifications made to the SWPPP as a result of inspection findings to the Pueblo of Sandia Environment Department upon request. An inspection report and corrective action log must be submitted to the Pueblo within 3 days of any inspection that results in corrective action (see contact information listed above).
 - vii. The operator must notify the Pueblo of Sandia within 24 hours in the event of an emergency spill, in addition to the notification requirements at Part 2.3.6 of the COP (see contact information listed above).
 - viii. Before submitting a Notice of Termination (NOT) to the EPA, permittees must clearly demonstrate to the Pueblo of Sandia Environment Department through a site visit or documentation that requirements for site stabilization have been met and any temporary erosion control structures have been removed. A short letter stating that the NOT is acceptable and all requirements have been met will be sent to the permittee to add to the permittee's NOT submission to the EPA.
- f. Pueblo of Santa Ana. The following conditions apply only to discharges on the Pueblo of Santa Ana Reservation:**
- i. All operators obtaining permit coverage under the EPA CGP, must submit a copy of the certified (signed) Notice of Intent (NOI) to the Pueblo's Department of Natural Resources within three business days of submittal to EPA. Additionally, a copy of NOI modifications and the Notice of Termination (NOT), must be

provided within three business days after EPA provides electronic confirmation that the submission has been received. The NOI and NOT must be provided to the following address:

Regular U.S. Delivery Mail:

Pueblo of Santa Ana
Department of Natural Resources Water Resources Division
Attn: Andrew Sweetman 02 Dove Rd
Santa Ana Pueblo, NM 87004

Electronically:

Andrew Sweetman
Water Resources Division Manager Andrew.Sweetman@santaana-nsn.gov
Tammy Montoya Hydrologist
Tammy.Montoya@santaana-nsn.gov

- ii. All operators obtaining permit coverage under the EPA CGP, must submit an electronic copy of the Stormwater Pollution Prevention Plan (SWPPP) to the Pueblo's Department of Natural Resources at the same time that the NOI is submitted to the tribe (see contact information listed above).
- iii. The operator must provide copies of inspection reports, a copy of the corrective action log, and modifications made to the SWPPP as a result of inspection findings, upon request by the Pueblo's Department of Natural Resources.
- iv. The operator must notify the Pueblo's Department of Natural Resources within 24 hours in the event of an emergency spill, in addition to the notification requirements at Part 2.3.6 of the CGP.

g. Pueblo of Taos

- i. All operators obtaining permit coverage under the EPA CGP, must submit a copy of the certified (signed) Notice of Intent (NOI) to the Taos Pueblo Environmental Office and Taos Pueblo Governor's Office within three business days of submittal to EPA. Additionally, a copy of NOI modifications and the Notice of Termination (NOT), must be provided within three business days after EPA provides electronic confirmation that the submission has been received. The NOI and NOT must be provided to the following addresses:
 - Honorable Governor of Taos Pueblo PO Box 1846
Taos, New Mexico 87571

 - Taos Pueblo Environmental Office PO Box 1846
Taos, New Mexico 87571
- ii. All operators obtaining permit coverage under the EPA CGP, must submit an electronic copy of the Stormwater Pollution Prevention Plan (SWPPP) to the Taos Pueblo Environmental Office when the NOI is submitted to the tribe. Electronic copy of SWPPP downloaded on flash drive may be sent to the above address for the Taos Pueblo Environmental Office.
- iii. The operator must provide a copy of the corrective action log following each corrective action undertaken and modifications made to the SWPPP as a result of

a corrective action to the Taos Pueblo Environmental Office at address listed above.

h. Pueblo of Tesuque.

- i. All operators obtaining permit coverage under the EPA CGP, must submit a copy of the certified (signed) Notice of Intent (NOI) to the Pueblo of Tesuque Department of Environment and Natural Resources (DENR) and the Pueblo's Governor within three business days of submittal to EPA. Additionally, a copy of any NOI modifications and the Notice of Termination (NOT), must be provided within three business days after EPA provides electronic confirmation that the submission has been received. The NOI and NOT must be provided to the following address:

Governor Mark Mitchell Pueblo of Tesuque
20 TP 828
Santa Fe, NM 87506 governor@pueblooftesuque.org

Sage Mountain.flower Pueblo of Tesuque
Department of Environment and Natural Resources Director
20 TP 828

- ii. All operators obtaining permit coverage under the EPA CGP, must submit an electronic copy of the Stormwater Pollution Prevention Plan (SWPPP) to Pueblo of Tesuque DENR and the Pueblo's Governor at the same time that the NOI is submitted to the EPA (see contact information listed above).
- iii. The operator must provide a copy of the corrective action log, and any modifications made to the SWPPP as a result of inspection findings, or upon request by the Pueblo of Tesuque DENR.
- iv. The operator must notify the Pueblo of Tesuque DENR within 24 hours in the event of an emergency spill, in addition to the notification requirements at Part 2.3.6 of the CGP (see contact information listed above).

i. Santa Clara Indian Pueblo.

- i. All operators obtaining permit coverage under the EPA CGP, must submit a copy of the certified (signed) Notice of Intent (NOI) to the Santa Clara Pueblo Office of Environmental Affairs at the same time the NOI is submitted to the U.S. EPA. Additionally, a copy of the NOI modifications and the Notice of Termination (NOT), must be provided at the same time after electronic confirmation is received from EPA that the NOT has been accepted. The NOI and NOT shall be provided to the following address in electronic format:

Dino Chavarria,
Santa Clara Pueblo
Office of Environmental Affairs
dinoc@santaclarapueblo.org

- ii. All operators obtaining permit coverage under the EPA CGP, must submit an electronic copy of the Stormwater Pollution Prevention Plan to the Santa Clara Pueblo Office of Environmental Affairs at the same time the NOI is submitted to the U.S. EPA (see contact information listed above).

- iii. The operator must notify the Santa Clara Pueblo Office of Environmental Affairs at the address above within 24 hours, in the event of an emergency spill, in addition to the notification requirements at Part 2.3.6 of the CGP

9.6.3 OKR10I000 Indian country within the State of Oklahoma, except areas of Indian country covered by an extension of state program authority pursuant to Section 10211 of the Safe, Accountable, Flexible, Efficient Transportation Equity Act (SAFETEA).

a. Pawnee Nation. The following conditions apply only to discharges within Pawnee Indian country:

- i. Copies of the Notice of Intent (NOI) and Notice of Termination (NOT) must be provided to the Pawnee Nation at the same time it is submitted to the Environmental Protection Agency to the following address:
 Pawnee Nation Department of Environmental Conservation and Safety
 P.O. Box 470
 Pawnee, OK 74058
 Or email to dners@pawneenation.org
- ii. An electronic copy of the Storm Water Pollution Prevention Plan (SWPPP) must be submitted to the Pawnee Nation Department of Environmental Conservation and Safety at the same time the NOI is submitted.
- iii. The operator must provide access to the site for inspections and for copies of inspection reports, copy of the corrective action log and modifications, made to the SWPPP because of inspection findings, upon request by the Pawnee Nation DECS.
- iv. The Pawnee Nation Department of Environmental Conservation and Safety must be notified at 918.762.3655 immediately upon discovery of any noncompliance with any provision of the permit conditions.

9.6.4 OKR10F000 Discharges in the State of Oklahoma that are not under the authority of the Oklahoma Department of Environmental Quality, or the Oklahoma Department of Agriculture and Forestry including activities associated with oil and gas exploration, drilling, operations, and pipelines (includes SIC Groups 13 and 46, and SIC codes 492 and 5171), and point source discharges associated with agricultural production, services, and silviculture (includes SIC Groups 01, 02, 07, 08, 09).

- a. For activities located within the watershed of any Oklahoma Scenic River, including the Illinois River, Flint Creek, Barren Fork Creek, Upper Mountain Fork, Little Lee Creek, and Lee Creek or any water or watershed designated "ORW" in Oklahoma's Water Quality Standards, this permit may only be used to authorize discharges from temporary construction activities. Certification is denied for any on-going activities such as sand and gravel mining or any other mineral mining.
- b. For activities located within the watershed of any Oklahoma Scenic River, including the Illinois River, Flint Creek, Barren Fork Creek, Upper Mountain Fork, Little Lee Creek, and Lee Creek or any water or watershed designated "ORW" in Oklahoma's Water Quality Standards, certification is denied for any discharges originating from support activities, including, but not limited to, concrete or asphalt batch plants, equipment staging yards, material storage areas, excavated material disposal areas, or borrow areas.

- c. Dewatering discharges into sediment or nutrient-impaired waters, and waters identified as Tier 2, Tier 2.5, or Tier 3 (OAC 785:46-13) shall be controlled to meet water quality standards for turbidity in those waters as follows:
 - i. Cool Water Aquatic Community/Trout Fisheries: 10 NTUs (OAC 785: 45-5-12(f)(7)(A)(i))
 - ii. Lakes: 25 NTUs (OAC 785: 45-5-12(f)(7)(A)(ii))
 - iii. In waters where background turbidity exceeds these values, turbidity from dewatering discharges should be restricted to not exceed ambient levels (OAC 785: 45-5-12(f)(7)(B))

9.7 EPA REGION 7

No additional conditions.

9.8 EPA REGION 8

9.8.1 MTR10I000 Indian country within the State of Montana

a. Blackfeet Nation.

- i. The Applicant and applicants for projects authorized under the NWP should obtain all other permits, licenses, and certifications that may be required by federal, state, or tribal authority. Primary relevant tribal permit will be ALPO (Ordinance 117). Others may apply. It is the applicant's responsibility to know the tribal and local ordinances and complete all necessary permissions before they can commence work.
- ii. If a project is unable to meet the enclosed conditions, or if certification is denied for an applicable NWP, the Applicant may request an individual certification from Blackfeet. An individual certification request must follow the requirements outlined in 40 CFR 121.5 of EPA's CWA § 401 Certification Rule, effective September 11, 2020.
- iii. Copies of this certification should be kept on the job site and readily available for reference.
- iv. If the project is constructed and/or operated in a manner not consistent with the applicable NWP, general conditions, or regional conditions, the permittee may be in violation of this certification.
- v. Blackfeet and EPA representatives may inspect the authorized activity and any mitigation areas to determine compliance with the terms and conditions of the NWP.
- vi. This NWP Reissuance does not reduce Tribal authority under any other rule.
- vii. The project, including any stream relocations and restoration, must be built as shown and as otherwise described in the application, the construction plans, cross sections, mitigation plans and other supporting documents submitted to this office. Impacts to aquatic systems and restoration efforts will be monitored by an appropriate aquatic resource professional to ensure that disturbed areas are restored to at least their original condition.
- viii. All existing water uses will be fully maintained during and after the completion of the project. (If applicable)

- ix.** Where practicable, perform all in-channel and wetland work during periods of low flow or drawn—down or when dry
- x.** Equipment staging areas must be located out of all delineated wetlands
- xi.** Appropriate soil erosion and sediment controls must be used and maintained in effective operating condition during and immediately after construction, and all exposed soil and other fills, as well as any work below the ordinary high-water mark or in a wetland, must be permanently stabilized as soon as possible
- xii.** Materials such as piling, culverts, sandbags, fabric, mats, timbers used for temporary facilities in wetlands or below the high- water mark of Waters of the US must be free from oil, gas, excess dirt, loose paint and other pollutants.
- xiii.** Equipment staging areas in wetlands or in stream or river channels must be placed on mats, or other measures must be taken to minimize soil disturbance and compaction.
- xiv.** Clearing of riparian or wetland vegetation for the sole purpose of constructing work bridges, detours, staging areas or other temporary facilities must be limited to the absolute minimum necessary. When temporary impacts to native riparian or wetland vegetation are unavoidable, it must be mowed or cut above ground with the topsoil and root mass left intact.
- xv.** Remove all temporary fills and structures in the entirety when they are no longer needed. Restore affected areas to the appropriate original and planned contours where possible. Re-vegetate disturbed areas with appropriate native species when native species are impacted.
- xvi.** Construction methods and best management practices (BMPs) must minimize aquatic resource impacts to the maximum extent possible. Any BMPs described in the Joint Application must be followed. BMPs should include installation and maintenance of sediment control measures; separation, storage and reuse of any topsoil; and recovery of all disturbed areas where possible. All best management practices must in place prior to the onset of construction or as soon as practicable during the construction process.
- xvii.** Best available technology and/or best management practices must be utilized to protect existing water uses and maintain turbidity and sedimentation at the lowest practical level.
- xviii.** Applicant/contractor should manage disturbed streambank topsoil in a manner that optimizes plant establishment for the site.
- xix.** When operating equipment or otherwise undertaking construction in wetlands and water bodies the following conditions apply:
 - (a) Work should be done in dry conditions if possible.
 - (b) All equipment is to be inspected for oil, gas, diesel, anti-freeze, hydraulic fluid or other petroleum leaks. All such leaks will be properly repaired and equipment cleaned prior to being allowed on the project site. Leaks that occur after the equipment is moved to the project site will be fixed the same day or the next day or removed from the project area. The equipment is not allowed to continue operation once a leak is discovered.

- (c) All equipment is to be inspected and cleaned before and after use to minimize the spread or introduction of invasive or undesirable species.
- (d) Construction equipment shall not operate below the existing water surface except as follows:
- Impacts from construction should be minimized through the use of best management practices submitted in the permit application.
 - Essential work below the waterline shall be done in a manner to minimize impacts to aquatic system and water quality.
- (e) Containment booms and/or absorbent material must be available onsite. Any spills of petroleum products must be reported to the Army Corps, Blackfeet Nation BEO Office and the US EPA within 24 hours.
- xx.** Upland, riparian and in-stream vegetation should be protected except where its removal is necessary for completion of work. Revegetation should be completed as soon as possible. Applicant/contractor should revegetate disturbed soil in a manner that optimizes plant establishment for the site. Revegetation must include topsoil replacement, planting, seeding, fertilization, liming and weed-free mulching as necessary. Applicant must use native plant material and soils where appropriate and feasible. This certification does not allow for the introduction of non-native flora and fauna. All disturbed surface areas must be restored to pre-construction contours and elevation.
- xxi.** Spoils piles should not be placed or stored within the delineated wetlands or streams unless protected by a temporary structure designed to divert and handle high flows that can be anticipated during permit activity. Spoils piles should be placed on landscaping fabric or some other material to separate spoils material and allow retrieval of spoils material with minimal impact.
- xxii.** Impacts to wetlands shall not exceed 4.92 acres.
- xxiii.** Any unexpected and additional impacts to waters of the US should be reported to the
- xxiv.** Army Corps, Blackfeet Environmental Office Water Quality Coordinator and the US EPA.
- xxv.** All instream and stream channel reconstruction work must be completed before the stream is diverted into the new channel.
- xxvi.** Any temporary crossings, bridge supports, cofferdams, or other structures that are necessary during permit activity should be designed to handle high flows that can be anticipated during permit activity. All temporary structures should be completely removed from the water body at the conclusion of the permitted activity and the area restored to a natural function and appearance.
- xxvii.** The certification does not authorize any unconfined discharge of liquid cement into the waters of the United States. Grouting riprap must occur under dry conditions with no exposure of wet concrete to the water body.
- xxviii.** BMPs shall include application of certified weed-free straw or hay across all disturbed wetland areas that are temporarily impacted; installation and maintenance of sediment control measures during construction and if necessary, after construction is completed; use of heavy mud mats if necessary; separation,

storage and reuse of all streambank topsoil and wetland topsoil, as appropriate; and recovery of all disturbed wetland and streambank areas where possible. All conditions set by the Blackfeet Tribe and US Army Corps must be followed.

- xxix.** All applicants, including federal agencies, must notify EPA and the Blackfeet Environmental Office of the use of all NWP for which certification has been granted prior to commencing work on the project. Notifications must include:
- (a) project location (lat. Long., exact point on map);
 - (b) NWP that will be used and the specific activity that will be authorized under the NWP;
 - (c) amount of permanent and temporary fills;
 - (d) a short summary of the proposed activity, and all other federal, state, tribal or local permits or licenses required for the project;
 - (e) complete contact information of both the applicant and contractor (name, name of the company or property if applicable, telephone, mobile, and email); and,
 - (f) Summary of best management practices that will be used.
 - (g) A summary of communications with the affected Tribe's water quality staff regarding the project, including any concerns or issues.
 - (h) Notify Blackfeet and EPA at least 7 days before the completion of construction and operations begin.
- xxx.** Point source discharges may not occur: (1) in fens, bogs or other peatlands; (2) within 100 feet of the point of discharge of a known natural spring source; or (3) hanging gardens.
- xxxi.** Except as specified in the application, no debris, silt, sand, cement, concrete, oil or petroleum, organic material, or other construction related materials or wastes shall be allowed to enter into or be stored where it may enter into waters of the U.S.
- xxxii.** Silt fences, straw wattles, and other techniques shall be employed as appropriate to protect waters of the U.S. from sedimentation and other pollutants.
- xxxiii.** Water used in dust suppression shall not contain contaminants that could violate water quality standards.
- xxxiv.** Erosion control matting that is either biodegradable blankets or loose-weave mesh must be used to the maximum extent practicable.
- xxxv.** All equipment used in waters of the U.S. must be inspected for fluid leaks and invasive species prior to use on a project. All fluid leaks shall be repaired and cleaned prior to use or when discovered, or if the fluid leak can't be repaired, the equipment shall not be used on site. Equipment used in waters with the possibility of aquatic nuisance species infestation must be thoroughly cleaned and effectively decontaminated before they are used on the project.

- xxxvi.** Vegetation should be protected except where its removal is necessary for completion of the work. Locations disturbed by construction activities should be revegetated with appropriate native vegetation in a manner that optimizes plant establishment for the specific site.
- xxxvii.** Revegetation may include topsoil replacement, planting, seeding, fertilization, liming, and weed-free mulching, as necessary. Where practical, stockpile weed- seed-free topsoil and replace it on disturbed areas. All revegetation materials, including plants and plant seed shall be on site or scheduled for delivery prior to or upon completion of the earth moving activities.
- xxxviii.** Activities may not result in any unconfined discharge of liquid cement into waters of the U.S. Grouting riprap must occur under dry conditions with no exposure of wet concrete to the waterbody.
- xxxix.** Activities that may result in a point source discharge shall occur during seasonal low flow or no flow periods to the extent practicable.
- xl.** The placement of material (discharge) for the construction of new dams is not certified, except for stream restoration projects.
- xli.** Any decision-maker that is required under 7.0 of the CGP to prepare a Stormwater Pollution Prevention Plan (SWPPP), must submit an electronic copy of the SWPPP to the Blackfeet Environmental Office at least 30 days before construction starts for review and approval. Any modifications to the SWPPP should be submitted to the Blackfeet Environmental Office.
- xlii.** Any Decision-maker required under Part 1.4 of the CGP to submit a Notice of Intent (NOI) to EPA for coverage under the CGP, must submit a copy of the NOI to the Blackfeet Environmental Office within three business days of submittal to EPA. Additionally, a copy of the Notice of Termination (NOT) must be provided within three business days after electronic confirmation is received from EPA that the NOT has been accepted. The NOI and NOT must be provided to the following address Gerald Wagner, Blackfeet Environmental Office Director.
62 Hospital Drive, Browning, MT 59417
beo.director@gmail.com
- b. Fort Peck Tribes.**
- i.** Any Decision-maker required under Part 1.4 of the CGP to submit a Notice of Intent (NOI) to EPA for coverage under the CGP, must submit a copy of the NOI to the Fort Peck Tribes Office of Environmental Protection within three business days of submittal to EPA. Additionally, a copy of the Notice of Termination (NOT) must be provided within three business days after electronic confirmation is received from EPA that the NOT has been accepted. The NOI and NOT must be provided to the following address:
Martina Wilson, Office of Environmental Protection Director
501 Medicine Bear Rd Poplar, MT 59255
martinawilson@fortpecktribes.net
- ii.** Any Decision-maker that is required under Part 7.0 of the CGP to prepare a Stormwater Pollution Prevention Plan (SWPPP), must submit an electronic copy of the SWPPP to the Fort Peck Tribes Office of Environmental Protection at least 30 days before construction starts for review and approval. Any modifications to the

SWPPP should be submitted to the Fort Peck Tribes Office of Environmental Protection.

- iii. Any Decision-maker that is required under Part 8.0 of the CGP to submit a weekly, bi-weekly, and/or annual report to EPA, must submit an electronic copy of the annual report to the Fort Peck Tribes Office of Environmental Protection within three business days after submittal to EPA.

9.9 EPA REGION 9

9.9.1 CAR10I000 Indian country within the State of California

a. Morongo Band of Mission Indians

- i. A copy of the Stormwater Pollution Prevention Plan (SWPPP) must be submitted (either mailed or electronically) to the MEPD no less than thirty (30) days before commencing construction activities:
 - Morongo Band of Mission Indians
 - Environmental Protection Department
 - 12700 Pumarra Road
 - Banning, CA 92220
 - Email: epd@morongo-nsn.gov
- ii. Copies of the Notice of Intent (NOI) and the Notice of Termination (NOT) must be sent to the MEPD at the same time they are submitted to EPA.
- iii. Operators of an "emergency-related project" must submit notice to the MEPD within twenty- four (24) hours after commencing construction activities.
- iv. Spills, leaks, or unpermitted discharges must be reported to the MEPD within twenty-four (24) hours of the incident, in addition to the reporting requirements of the CGP.
- v. Projects utilizing cationic treatment chemicals (as defined in Appendix A of the CGP) within the Morongo Reservation are not eligible for coverage under this certification of the CGP.
- vi. Facilities covered under the CGP will be subject to compliance inspections by MEPD staff, including compliance with final site stabilization criteria prior to submitting an NOI **[EPA assumes this intended to refer to an NOT]**.

9.9.2 GUR100000 Island of Guam

- a. For purposes of this Order, the term "Project Proponent" shall mean U.S. Environmental Protection Agency, and its agents, assignees, and contractors.
- b. For purposes of this Order, the permit "Operator" shall mean any party associated with a construction project that meets either of the following two criteria:
 - i. The party has operational control over construction plans and specifications, including the ability to make modifications to those plans and specifications (e.g. in most cases this is the owner of the site); or
 - ii. The party has day-to-day operational control of those activities at a project that are necessary to ensure compliance with the permit conditions (e.g., they are authorized to direct workers at a site to carry out activities required by the permit; in most cases this is the general contractor of the project).

Subcontractors generally are not considered operators for the purposes of this permit.

- c. The Project Proponent shall enforce the proposed 2022 CGP and ensure that the Operator complies with the conditions of the permit at all times.¹⁰⁷ (40 CFR §121.11(c))
- d. All submittals required by this Order shall be sent to the Guam Environmental Protection Agency Attn: 401 Federal Permit Manager, Non-Point Source Program, EMAS Division, 3304 Mariner Avenue, Bldg. 17-3304, Barrigada, Guam 96913, AND via email to jesse.cruz@epa.guam.gov. The submittals shall be identified with WQC Order #2021- 04 and include the COP Permit Number, certifying representative's name, title, mailing address and phone number. (§51060)(4) 2017 GWQS)
- e. A copy of the Operator's signed Stormwater Pollution Prevention Plan (SWPPP) and signed Notice of Intent (NOI) and Notice of Termination (NOT) submitted to EPA for review and approval, shall concurrently be submitted to Guam EPA, consistent with condition A4. Coordination with Guam EPA is encouraged when the receiving water(s) for the proposed discharge is/are being identified. (§10105.B.5.d.) GSESCR; (§51060)(4) 2017 GWQS)
- f. The Operator must comply with the conditions and requirements set forth in 22 GAR 10, Guam Soil Erosion and Sediment Control Regulations (GSESCR).
- g. Before submitting the NOT to EPA, Operators shall comply with GSESCR regulations at §10105.B10. (Stabilization of Affected Areas) and §10107.B. (Final Inspection and Approval)
- h. All operators/owners shall comply with the general design criteria for best management practices (BMPs) acceptable for meeting the Construction and Post-construction stormwater criteria in the 2006 CNMI and Guam Stormwater Management Manual. (E.O. 2012-02)
- i. Operating reports and monitoring and analytical data (e.g. Discharge Monitoring Reports (DMRs), follow-up monitoring reports, Exceedance Reports for Numerical Effluent Limits, etc.) submitted to EPA shall be concurrently submitted to Guam EPA, consistent with condition A4. §51060)(4) 2017 GWQS
- j. The Operators who install a sediment basin or similar impoundment shall maintain the storage capacity of five thousand cubic feet {5,000 cu. ft.) per acre of project area tributary to the basin. (§10105.B.5.i.) GSESCR
- k. (1) This Order does not authorize EPA to qualify Rainfall Erosivity Waivers to stormwater discharges associated with small construction activities (i.e. 1-5 acres). Operators are required to apply for an NOI for those projects eligible for coverage under the proposed 2022 CGP. An Erosion and Sediment Control Plan is required for every site that would be covered by the proposed 2022 CGP. (22 GAR §10104) The average annual rainfall for Guam and the CNMI exceeds 100 inches per year in many locations. These climatic conditions combined with the region's unique limestone, volcanic geologic formations, sensitive water resources and significant land

¹⁰⁷ By incorporating this condition into the permit, EPA acknowledges receipt of Guam's certification conditions.

development forces make stormwater discharges a very significant environmental and economic issue. (2006 CNMJ/Guam Stormwater Management Manual) E.O. 2012-02

(2) This Order does not authorize EPA to approve a Sediment TMDL Waiver for the Ugum River. Operators of construction activities eligible for a TMDL Waiver in lieu of coverage under the proposed 2022 CGP, shall submit a complete and accurate waiver certification as described in C.2., Appendix C - (Small Construction Waivers) to Guam EPA per condition A4., prior to notifying EPA of its intention to obtain a waiver. §51060)(4) 2017 GWQS

- l.** The Project Proponent shall submit to Guam EPA a signed Statement of Understanding of Water Quality Certification Conditions.¹⁰⁸ (see Attachment A for an example) per condition A4. §51060)(4) 2017 GWQS
- m.** The Operator shall comply with applicable provisions of the Guam Pesticides Act of 2007 (10 GCA Chapter 50) and implementing regulations at Title 22 GAR Chapter 15 for any use and application of pesticides.
- n.** Point source discharge(s) to waterbodies under the jurisdiction of Guam EPA must be consistent with the antidegradation policy in 22 GAR §5101(b).
- o.** The operator shall carry out construction activities in such a manner that will not violate Guam Water Quality Standards (GWQS). Proposed 2022 CGP discharges are prohibited as follows:
 - i.** In Marine Waters, Category M-1 Excellent 22 GAR Chapter 5 §5102(b)(I); and
 - ii.** In Surface Waters, Category S-1 High 22 GAR Chapter 5 §5102(c)(I)
- p.** In addition to complying with construction dewatering requirements in Part 2.4 and site inspection requirements for all areas where construction dewatering is taking place in Part 4 of the proposed 2022 CGP, Operators shall comply with all dewatering conditions and requirements set forth in 22 GAR 7, Water Resources Development and Operating Regulations, to include securing Guam EPA permits prior to any dewatering activities.
- q.** The Operator shall develop and implement a Spill Prevention and Containment Plan.
- r.** The Operator shall have adequate and appropriate spill response materials on hand to respond to emergency release of oil, petroleum or any other material into waters of the territory.
- s.** Any unpermitted discharge into territorial waters or onto land with a potential for entry into territorial waters, is prohibited. If this occurs, the Operator shall immediately take the following actions:
 - i.** Cease operations at the location of the violation or spill.
 - ii.** Assess the cause of the water quality problem and take appropriate measures to correct the problem and/or prevent further environmental damage.
 - iii.** Notify Guam EPA of the failure to comply. All petroleum spills shall be reported immediately to:

¹⁰⁸ By incorporating this condition into the permit, EPA acknowledges receipt of Guam's certification conditions.

- (a) Guam's Emergency 911 system
 - (b) Guam EPA's 24-Hour Spill Response Team at (671) 888-6488 or during working hours (671) 300-4751
 - (c) US Coast Guard Sector Guam (671) 355-4824
 - (d) National Response Center 1-800-424-8802
- iv.** Submit a detailed written report to Guam EPA within five days of noncompliance that describes the nature of the event corrective action taken and/or planned, steps to be taken to prevent a recurrence, results of any samples taken, and any other pertinent information.
- f.** Compliance with this condition does not relieve the Operator from responsibility to maintain continuous compliance with the terms and conditions of this Order or the resulting liability from failure to comply.
- u.** Submittal or reporting of any of this information does not provide relief from any subsequent enforcement actions for unpermitted discharges to waters of the United States.
- v.** This Order is valid for five (5) Years from Date of Certification, unless otherwise approved by the Guam EPA Administrator.
- w.** The Operator shall be required to adhere to the current Guam Coral Spawning Moratorium dates for both hard and soft corals where in-water activities and/or construction activity in close proximity with marine waters may impair water quality. These dates can be obtained from the Guam Department of Agriculture, Division of Aquatic and Wildlife Resources, or the NOAA NMFS Pacific Islands Regional Office Habitat Conservation Division.
- x.** The Operator shall provide notice to Guam EPA consistent with Condition A4:
- (a) Immediately upon discovery of noncompliance with the provisions of this Order.
- y.** A Notice of Violation/Work Stop Order will be issued if certification conditions are not adhered to or when significant or sustained water quality degradation occurs. Work or discharge shall be suspended or halted until the Operator addresses environmental problems/concerns to Guam EPA's satisfaction. Guam EPA may also levy penalties and fines (10 GCA §47111). Invalidity or enforceability of one or more provisions of this certification shall not affect any other provision of this certification.

9.10 EPA REGION 10

9.10.1 IDR10I000 Indian country within the State of Idaho, except Duck Valley Reservation lands (see Region 9)

a. Shoshone-Bannock Tribes

- i.** Copies of the following information must be sent to the SBT-WRD:
 - (a) Notice of Intent (NOI)

The Notice of Intent shall be forwarded to the SBT-WRD within thirty (30) days of receipt of submitting NOI to the USEPA.

Shoshone-Bannock Tribes Water Resources Department
 PO Box 306 Pima Drive
 Fort Hall, ID 83203 Phone: (208) 239-4582
 Fax: (208) 239-4592
 Or Email ctanaka@sbttribes.com

- b. If requested by the SBT-WRD, the permittee must submit a copy of the SWPPP to SBT-WRD within fourteen (14) days of the request.

9.10.2 ORR10I000 Indian country within the State of Oregon, except Fort McDermitt Reservation lands (see Region 9)

a. Confederated Tribes of Coos, Lower Umpqua, and Siuslaw

- i. No activities allowed under the CGP shall result in the degradation of any Tribal waters or affect resident aquatic communities or resident or migratory wildlife species at any life stage.
- ii. The operator shall be responsible for achieving compliance with CTCLUSI Water Quality Standards and all other tribal codes, regulations, and laws as they exist at the time that the permit is submitted.
- iii. The operator shall submit a copy of the Notice of Intent (NOI) to be covered by the general permit to the CTCLUSI Water Quality Program before, or at the same time as, it is submitted to EPA.
- iv. The operator shall be responsible for submitting all Stormwater Pollution Prevention Plans (SWPPP) required under this general permit to the CTCLUSI Water Quality Program for review and determination that the SWPPP is sufficient to meet Tribal Water Quality Standards, prior to the beginning of any discharge activities taking place.
- v. The operator shall be responsible for reporting an exceedance to Tribal Water Quality Standards to the CTCLUSI Water Quality Program at the same time it is reported to EPA.
- vi. The THPO will be provided 30 days to comment on the APE as defined in the permit application.
- vii. If the project is an undertaking, a cultural resource assessment must occur. All fieldwork must be permitted by the THPO (as appropriate), conducted by qualified personnel (as outlined by the Secretary of Interior's Standards and Guidelines; http://www.nps.gov/history/local-law/arch_stnds_O.htm) and documented according to Oregon Reporting Standards (Reporting_Guidelines.pdf) (oregon.gov). The resulting report must be submitted to the THPO and the THPO must concur with the finding of effect and recommendations before any ground disturbing work can occur. The THPO requires 30 days to review all reports.
- viii. The operator must obtain THPO concurrence in writing. If historic properties are present, this written concurrence will outline measures to be taken to prevent or mitigate adverse effects to historic properties.

b. Confederated Tribes of the Umatilla Indian Reservation

- i. The operator shall be responsible for achieving compliance with the

Confederated Tribes of the Umatilla Indian Reservation's (CTUIR) Water Quality Standards.

- ii. The operator shall submit a copy of the Notice of Intent (NOI) to be covered by the general permit to the CTUIR Water Resources Program at the address below, at the same time it is submitted to EPA.
- iii. The operator shall be responsible for submitting all Stormwater Pollution Prevention Plans (SWPPP) required under this general permit to the CTUIR Water Resources Program for review and determination that the SWPPP is sufficient to meet Tribal Water Quality Standards, prior to the beginning of any discharge activities taking place.
- iv. The operator shall be responsible for reporting an exceedance to Tribal Water Quality Standards to the CTUIR Water Resources Program at the same time it is reported to EPA.

Confederated Tribes of the Umatilla Indian Reservation
Water Resources Program
46411 Timíne Way
Pendleton, OR 97801
(541) 429-7200

- v. The THPO will be provided 30 days to comment on the APE as defined in the permit application.
- vi. If the project is an undertaking, a cultural resource assessment must occur. All fieldwork must be permitted by the Tribal Historic Preservation Office (as appropriate), conducted by qualified personnel (as outlined by the Secretary of Interior's Standards and Guidelines; http://www.nps.gov/history/local-law/arch_stnds_0.htm) and documented according to Oregon Reporting Standards (Reporting_Guidelines.pdf (oregon.gov)). The resulting report must be submitted to the THPO and the THPO must concur with the finding of effect and recommendations before any ground disturbing work can occur. The THPO requires 30 days to review all reports.
- vii. The operator must obtain THPO concurrence in writing. If historic properties are present, this written concurrence will outline measures to be taken to prevent or mitigate adverse effects to historic properties.

9.10.3 WAR10F000 Areas in the State of Washington, except those located on Indian country, subject to construction activity by a Federal Operator

- a. For purposes of this Order, the term "Project Proponent" shall mean those that are seeking coverage under this permit, and its agents, assignees and contractors.
- b. The Federal Agency shall mean the US Environmental Protection Agency. The Federal Agency shall enforce the permit and ensure that the Project Proponent complies with the conditions of the permits at all times.
- c. Failure of any person or entity to comply with this Certification may result in the issuance of civil penalties or other actions, whether administrative or judicial, to enforce the terms of this Certification.
- d. The Certification conditions within this Order must be incorporated into EPA's final NPDES permit. Per 40 CFR 121.10(a), all certification conditions herein that satisfy the

requirements of 40 CFR 121.7(d) must be incorporated into the permit. Per 40 CFR 121.10(b), the permit must clearly identify all certification conditions.

- e. This Certification does not authorize exceedances of water quality standards established in chapter 173-201A WAC.
- f. Discharges from construction activity must not cause or contribute to violations of the Water Quality Standards for Surface Water of the State of Washington (chapter 173-201A WAC), Ground Water Quality Standards (chapter 173-200 WAC), Sediment Management Standards (chapter 173-204 WAC), and standards in the EPA's Revision of certain Federal water quality criteria applicable to Washington (40 CFR 131.45). Discharges that do not comply with these standards are prohibited.
- g. Prior to discharge of stormwater and non-stormwater to waters of the State, the Permittee must apply all known, available, and reasonable methods of prevention, control, and treatment (AKART). This includes the preparation and implementation of an adequate Stormwater Pollution Prevention Plan (SWPPP), with all appropriate Best Management Practices (BMPs) installed and maintained in accordance with the SWPPP and the terms and conditions of the permit.
 - i. BMPs must be consistent with:
 - (a) The Stormwater Management Manual for Western Washington (most current approved edition at the time this permit was issued), for sites west of the crest of the Cascade Mountains; or
 - (b) The Stormwater Management Manual for Eastern Washington (most current approved edition at the time this permit was issued), for sites east of the crest of the Cascade Mountains; or
 - (c) Revisions to either manual, or other stormwater management guidance documents or manuals which provide equivalent level of pollution prevention, that are approved by Ecology and incorporated into this permit in accordance with the permit modification requirements of WAC 173-226-230. (For purposes of this section, the stormwater manuals listed in Appendix 10 of the Phase I Municipal Stormwater Permit are approved by Ecology); or
 - (d) Documentation in the SWPPP that the BMPs selected provided an equivalent level of pollution prevention, compared to the applicable stormwater management manuals, including:
 - The technical basis for the selection of all stormwater BMPs (scientific, technical studies, and/or modeling) that support the performance claims for the BMPs being selected.
 - An assessment of how the selected BMP will satisfy AKART requirements and the applicable federal technology-based treatment requirements under 40 CFR part 125.3.

The Stormwater Management Manuals for Eastern and Western Washington can be found at: <https://ecology.wa.gov/Regulations-Permits/Guidance-technical-assistance/Stormwater-permittee-guidance-resources/Stormwater-manuals>.
 - ii. An adequate SWPPP must include a narrative and drawings. All BMPs must be clearly referenced in the narrative and marked on the drawings. The SWPPP

narrative must include documentation to explain and justify the pollution prevention decisions made for the project. Documentation must include:
 (a) Information about existing site conditions (topography, drainage, soils, vegetation, etc.).

(b) Potential erosion problem areas.

(c) The 13 elements of a SWPPP, including BMPs used to address each element. Unless site conditions render the element unnecessary and the exemption is clearly justified in the SWPPP, the 13 elements are as follows:

- Preserve Vegetation/Mark Clearing Limits
- Establish Construction Access
- Control Flow Rates
- Install Sediment Controls
- Stabilize Soils
- Protect Slopes
- Protect Drain Inlets
- Stabilize Channels and Outlets
- Control Pollutants
- Control Dewatering
- Maintain BMPs
- Manage the Project
- Protect Low Impact Development (LID) BMPs

h. Discharges of stormwater and authorized non-stormwater must be monitored for turbidity (or transparency) and, in the event of significant concrete work or engineered soils, pH must also be monitored. As applicable based on project specifics, monitoring, benchmarks, and reporting requirements contained in Condition S.4. (pp.10-16) of the Washington State Construction Stormwater General Permit, effective January 1, 2021, shall apply.

i. Discharges to segments of waterbodies listed as impaired by the State of Washington under Section 303(d) of the Clean Water Act for turbidity, fine sediment, phosphorus, or pH must comply with the following numeric effluent limits:

| Parameter identified in 303(d) listing | Parameter Sampled | Unit | Analytical Method | Numeric Effluent Limit |
|--|-------------------|------|-------------------|--|
| <ul style="list-style-type: none"> • Turbidity • Fine Sediment • Phosphorus | Turbidity | NTU | SM2130 | 25 NTUs at the point where the stormwater is discharged from the site. |
| High pH | pH | su | pH meter | In the range of 6.5 – 8.5 |

All references and requirements associated with Section 303(d) of the Clean Water Act mean the most current EPA-approved listing of impaired waters that exists on the

effective date of the permit, or the date when the operator's complete permit application is received by EPA, whichever is later.

The EPA approved WQ Assessment can be found at: <https://ecology.wa.gov/Water-Shorelines/Water-quality/Water-improvement/Assessment-of-state-waters-303d>

- j.** Discharges to a waterbody that is subject to a Total Maximum Daily Load (TMDL) for turbidity, fine sediment, high pH, or phosphorus must be consistent with the TMDL.
 - i.** Where an applicable TMDL sets specific waste load allocations or requirements for discharges covered by this permit, discharges shall be consistent with any specific waste load allocations or requirements established by the applicable TMDL.
 - ii.** Where an applicable TMDL has established a general waste load allocation for construction stormwater discharges, but no specific requirements have been identified, compliance with this permit will be assumed to be consistent with the approved TMDL.
 - iii.** Where an applicable TMDL has not specified a waste load allocation for construction stormwater discharges, but has not excluded these discharges, compliance with this permit will be assumed to be consistent with the approved TMDL.
 - iv.** Where an applicable TMDL specifically precludes or prohibits discharges from construction activity, the operator is not eligible for coverage under this permit.

Applicable TMDL means a TMDL for turbidity, fine sediment, high pH, or phosphorus which has been completed and approved by EPA as of the effective date of the permit, or prior to the date of the operator's complete application for permit coverage is received by EPA, whichever is later.

- k.** Discharges to waters of the state from the following activities are prohibited:
 - i.** Concrete wastewater.
 - ii.** Wastewater from washout and clean-up of stucco, paint, form release oils, curing compounds and other construction materials.
 - iii.** Process wastewater as defined by 40 Code of Federal Regulations (CFR) 122.2.
 - iv.** Slurry materials and waste from shaft drilling, including process wastewater from shaft drilling for construction of building, road, and bridge foundations unless managed to prevent discharge to surface water.
 - v.** Fuels, oils, or other pollutants used in vehicle and equipment operation and maintenance.
 - vi.** Soaps or solvents used in vehicle and equipment washing.
 - vii.** Wheel wash wastewater, unless managed to prevent discharge to surface water.
 - viii.** Discharges from dewatering activities, including discharges from dewatering of trenches and excavations, unless managed according to appropriate controls described within the permit.
- l.** This Certification is valid until the expiration date including any administrative extension or termination date of the NPDES 2022 Construction General Permit. (40 CFR § 122.46)

- m. The Federal Agency shall enforce and the Project Proponent must comply with all the reporting and notification conditions of the NPDES 2022 Construction General Permit in order to comply with this Order and the certification conditions herein (40 CFR § 121.11).
- n. You have a right to appeal this Order to the Pollution Control Hearing Board (PCHB) within 30 days of the date of receipt of this Order. The appeal process is governed by chapter 43.21B RCW and chapter 371-08 WAC. "Date of receipt" is defined in RCW 43.21B.001(2).

To appeal you must do all of the following within 30 days of the date of receipt of this Order:

- File your appeal and a copy of this Order with the PCHB (see addresses below). Filing means actual receipt by the PCHB during regular business hours.
- Serve a copy of your appeal and this Order on Ecology in paper form - by mail or in person (see addresses below). E-mail is not accepted.

You must also comply with other applicable requirements in chapter 43.21B RCW and chapter 371-08 WAC.

ADDRESS AND LOCATION INFORMATION

| Street Addresses | Mailing Addresses |
|---|---|
| <p>Department of Ecology Attn: Appeals Processing Desk 300 Desmond Drive SE Lacey, WA 98503</p> <p>Pollution Control Hearings Board 1111 Israel RD SW STE 301 Tumwater, WA 98501</p> | <p>Department of Ecology Attn: Appeals Processing Desk PO Box 47608 Olympia, WA 98504-7608</p> <p>Pollution Control Hearings Board PO Box 40903 Olympia, WA 98504-0903</p> |

CONTACT INFORMATION

Please direct all questions about this Order to:

Noel Tamboer
 Department of Ecology
 P.O. Box 47600
 Olympia, WA 98503-7600
 (360) 701-6171
noel.tamboer@ecy.wa.gov

9.10.4 WAR10I000 Indian country within the State of Washington

a. Lummi Nation

- i. This certification does not exempt and is provisional upon compliance with other applicable statutes and codes administered by federal and Lummi tribal agencies. Pursuant to Lummi Code of Laws (LCL) 17.05.020(a), the operator must also obtain a land use permit from the Lummi Planning Department as provided in Title 15 of the Lummi Code of Laws and regulations adopted thereunder.
 - ii. Pursuant to LCL 17.05.020(a), each operator shall develop and submit a Storm Water Pollution Prevention Plan to the Lummi Water Resources Division for review and approval by the Water Resources Manager prior to beginning any discharge activities.
 - iii. Pursuant to LCL Title 17, each operator shall be responsible for achieving compliance with the Water Quality Standards for Surface Waters of the Lummi
 - iv. Indian Reservation (Lummi Administrative Regulations [LAR] 17 LAR 07.010 through 17 LAR 07.210 together with supplements and amendments thereto).
 - v. Each operator shall submit a signed copy of the Notice of Intent (NOI) to the Lummi Water Resources Division at the same time it is submitted electronically to the Environmental Protection Agency (EPA) and shall provide the Lummi Water Resources Division the acknowledgement of receipt of the NOI from the EPA and the associated NPDES tracking number provided by the EPA within 7 calendar days of receipt from the EPA.
 - vi. Each operator shall submit a signed copy of the Notice of Termination (NOT) to the Lummi Water Resources Division at the same time it is submitted electronically to the EPA and shall provide the Lummi Water Resources Division the EPA acknowledgement of receipt of the NOT.
 - vii. Storm Water Pollution Prevention Plans, Notice of Intent, Notice of Termination and associated correspondence with the EPA shall be submitted to:
 - Lummi Natural Resources Department
 - ATTN: Water Resources Manager 2665 Kwina Road
 - Bellingham, WA 98226-9298
- b. Port Gamble S'Klallam Tribe**
- i. No discharge from the project site shall cause exceedances of Port Gamble S'Klallam Surface Water Quality Standards narrative or numeric criteria in Tribal waters. This includes activities outside of Tribal lands that occur upstream of Tribal waters.
 - (a) If any exceedance of these water quality standards occurred, the Natural Resources Department shall be notified immediately.
 - The Department shall additionally be provided a complete draft of the proposed corrective action within a reasonable timeframe and its approval will be required before any corrective action may be taken.
 - ii. Operators performing activities under the CGP that may affect Tribal waters will require a permit and shall submit their plans to the Port Gamble S'Klallam Natural Resources Department for review.
 - The Department has the right to require conditions outside of this Water Quality Certification prior to permit approval.

- iii. No activities allowed under the CGP shall result in the degradation of any Tribal waters or change in designated uses.
- iv. No activities allowed under the CGP shall affect resident aquatic communities or resident/migratory wildlife species at any life stage.
 - Biological assessment methods used to determine the effect of an activity allowed under the CGP shall be approved by the PGST Natural Resources Department.
- v. No activities allowed under the CGP shall be conducted within wetland and stream buffer zones, nor shall said activities affect in any way wetland or stream buffers, as defined by *PGST Law and Order Code 24.08.01(c)*.
- vi. Concentrations for substances listed within the table in *Water Quality Standards for Surface Waters* sec. 7(7) shall not be exceeded by activities allowed under the CGP.

c. Spokane Tribe of Indians

- i. Pursuant to Tribal Law and Order Code (TLOC) Chapter 30 each operator shall be responsible for achieving compliance with the Surface Water Quality Standards of the Spokane Tribe. The operator shall notify the Spokane Tribe, Water Control Board (WCB) of any spills of hazardous material and;
 - ii. Each operator shall submit a signed hard copy of the Notice of Intent (NOI) to the WCB at the same time it is submitted to EPA.
 - iii. The permittee shall allow the Tribal Water Control Board or its designee to inspect and sample at the construction site as needed.
 - iv. Each operator shall submit a signed copy of the Notice of Termination (NOT) to the WCB at the same time it is submitted to EPA
- The correspondence address for the Spokane Tribe Water Control Board is:

Water Control Board c/o Brian Crossley PO Box 480
Wellpinit WA 99040
(509) 626-4409
crossley@spokanetribe.com

d. Swinomish Tribe

- i. Owners and operators seeking coverage under this permit must submit a copy of the Notice of Intent (NOI) to the DEP at the same time the NOI is submitted to EPA.
- ii. Owners and operators must also submit to the DEP changes in NOI and/or Notices of Termination at the same time they are submitted to EPA.
- iii. Owners and operators seeking coverage under this permit must also submit a Stormwater Pollution Prevention Plan to the DEP for review and approval by DEP prior to beginning any discharge activities.

e. Tulalip Tribes

- i. Submission of NOI: Copies of the Notice of Intent (NOI), Certification shall be submitted to the Tribe's Natural Resources Department to notify the Tribes of the

pending project and in order for the Tribes to review the projects potential impacts to endangered or threatened species.

- ii.** Submission of SWPPP: A copy of the Stormwater Pollution Plans (SWPPPs) shall be submitted to the Tribe's Natural Resources Department along with the NOI during the 30 day waiting period.
- iii.** Submission of Monitoring Data and Reports: The results of any monitoring required by this permit and reports must be sent to the Tribe's Natural Resources Department,
- iv.** The Tulalip Tribes are federally recognized successors in the interest to the Snohomish, Snoqualmie, Skykomish, and other allied tribes and bands signatory to the Treaty of Point Elliott.
- v.** including a description of the corrective actions required and undertaken to meet effluent limits or benchmarks (as applicable).
- vi.** Authorization to Inspect: The Tribe's Natural Resources Department may conduct an inspection of any facility covered by this permit to ensure compliance with tribal water quality standards. The Department may enforce its certification conditions.
- vii.** Submission of Inspection Reports: Inspection reports must be sent to the Tribe's Natural Resources Department, including a description of the corrective actions required and undertaken to meet effluent limits or benchmarks (as applicable).
- viii.** Permits on-site: A copy of the permit shall be kept on the job site and readily available for reference by the construction supervisor, construction managers and foreman, and Tribal inspectors.
- ix.** Project Management: The applicant shall ensure that project managers, construction managers and foreman, and other responsible parties have read and understand conditions of the permit, this certification, and other relevant documents, to avoid violations or noncompliance with this certification.
- x.** Emergency Spill Notification Requirements: In the event of a spill or the contractor shall immediately take action to stop the violation and correct the problem, and immediately report spill to the Tulalip Tribes Police Department (425) 508-1565. Compliance with this condition does not relieve the applicant from responsibility to maintain continuous compliance with the terms and conditions of this certification or the resulting liability from failure to comply.
- xi.** Discharges to CERCLA Sites: This permit does not authorize direct stormwater discharges to certain sites undergoing remedial cleanup actions pursuant to the Comprehensive Environmental Response, Compensation and Liability Act (CERCLA) unless first approved by the appropriate EPA Regional office. In the case of the Tulalip Landfill site (WAD980639256), the Tulalip Tribes also requests notification by the facility and consultation with EPA prior to discharge. Contaminants at this site may include but are not limited to: dioxins, furans, arsenic, copper, lead, zinc, 4- methyl-phenol, Hex-CB, HPAHs, PCBs, PCE, cadmium, mercury, and LPAHs.
- xii.** Discharge-related Activities that have Potential to Cause an Adverse Effect on Historic Properties: Installation of stormwater controls that involve subsurface disturbances may potentially have an adverse impact on historic properties.

- xiii.** Procedures detailed in the permit shall be completed. Richard Young, of the Tulalip Tribe's Cultural Resources Department shall be contacted prior to initiating discharge- related activities that may have an impact on historic properties. His contact information is (360) 716-2652, ryoung@tulaliptribes-nsn.gov.
 - xiv.** Invalidation: This certification will cease to be valid if the project is constructed and/or operated in a manner not consistent with the project description contained in
 - xv.** the permit. This certification will also cease to be valid and the applicant must reapply with an updated application if information contained in the permit is voided by subsequent submittals.
 - xvi.** Modification: Nothing in this certification waives the Tulalip Tribes of Washington's authority to issue modifications to this certification if additional impacts due to operational changes are identified, or if additional conditions are necessary to protect water quality or further protect the Tribal Communities interest.
 - xvii.** incorporation by reference: This certification does not exempt the applicant from compliance with other statutes and codes administered by the Tribes, county, state and federal agencies.
 - xviii.** Compliance with Tribe's 1996 Water Quality Standards: Each permittee shall be responsible for controlling discharges and achieving compliance with the Tribe's Water Quality Standards.
 - xix.** Compliant with Tulalip Tribes Tidelands Management Policy: Permittee shall be responsible for achieving compliance with applicable sections of the Tulalip Tribe's Tidelands Management Policy. (Tulalip Tribal Code Title 8 Chapter 8.30).
 - xx.** Compliant with Tulalip Tribes Environmental Infractions: Permittee shall be responsible for achieving compliance with applicable sections of the Tulalip Tribe's Environmental Infractions. (Tulalip Tribal Code Title 8 Chapter 8.20).
 - xxi.** Where to Submit information and for further Coordination: All requested documents should be sent to the: Tulalip Tribes Natural Resources Environmental Department c/o Kurt Nelson and Valerie Streeter, 6704 Marine Drive, Tulalip, Washington 98271. For further 401 Certification coordination with the Tulalip Tribes Natural Resources Department, please contact Mr. Kurt Nelson (360) 716-4617 knelson@tulaliptribes-nsn.gov. 6406 Marine Dr., Tulalip WA 98271.
- f. Makah Tribe**
- i.** The permittee shall be responsible for meeting any additional permit requirements imposed by EPA necessary to comply with the Makah Tribe's Water Quality Standards if the discharge point is located within the Makah's U&A treaty reserved areas.
 - ii.** Each permittee shall submit a copy of the Notice of Intent (NOI) to be covered by the general permit to Makah Fisheries Management, Water Quality Department at the address listed below at the same time it is submitted to the EPA.
 - Makah Water Quality
 - Makah Fisheries Management (MFM)
 - ray.colby@makah.com

PO Box 115
Neah bay, WA 98357

- iii. All supporting documentation and certifications in the NOI related to coverage under the general permit for Endangered Species Act purposes shall be submitted to the Tribe's Habitat programs for their review.
 - iv. If EPA requires coverage under an individual or alternative permit, the permittee shall submit a copy of the permit to Assistant Fisheries Director, ray.colby@makah.com.
 - v. The permittee shall submit all Stormwater Pollution Prevention plan (SWPP) to MFM for review and approval prior to beginning any activities resulting in a discharge to Makah tribal waters.
 - vi. The permittee shall notify Ray Colby, ray.colby@makah.com (360) 645-3150 prior to conducting inspections at construction sites generating stormwater discharges to tribal waters.
 - vii. The operator shall treat dewatering discharges with controls necessary to minimize discharges of pollutants to surface waters, or ground waters, and from stormwater runoff onsite from excavations, trenches, foundations, or storage areas. To the extent feasible, at all points where dewatering is discharged, comply with the velocity dissipation using check dams, sediment traps, and grouted outlets.
- g. Puyallup Tribe of Indians**
- i. The permittee shall be responsible for meeting any additional permit requirements imposed by EPA necessary to comply with the Puyallup Tribe's antidegradation procedures.
 - ii. Each permittee shall submit a copy of the Notice of Intent (NOI) to be covered by the general permit to Char Naylor, Tribal Water Quality Manager at the following e-mail address: (char.naylor@puyalluptribe-nsn.gov) at the same time it is submitted to EPA.
 - iii. All supporting documentation and certifications in the NOI related to coverage under the general permit for Endangered Species Act purposes shall be submitted to Char Naylor, Tribal Water Quality Manager/Assistant Fisheries Director (char.naylor@puyalluptribe-nsn.gov) for review.
 - iv. If EPA requires coverage under an individual or alternative permit, the permittee shall submit a copy of the permit to Char Naylor at the email address listed above.
 - v. The permittee shall submit all stormwater pollution prevention plans to Char Naylor for review and approval prior to beginning any activities resulting in a discharge to Puyallup tribal waters.
 - vi. The permittee shall contact Brandon Reynon (Brandon.reynon@puyalluptribe-nsn.gov), Tribe's Historic Preservation Officer or Jennifer Keating (Jennifer.keating@puyalluptribe-nsn.gov), Tribe's Assistant Historic Preservation Officer regarding historic properties and cultural resources.
 - vii. To minimize the discharge of pollutants to groundwater or surface waters from stormwater that is removed from excavations, trenches, foundations, vaults, or

other storage areas, treat dewatering discharges with controls necessary to minimize discharges of pollutants. Examples of appropriate controls include sediment basins or sediment traps, sediment socks, dewatering tanks, tube settlers, weir tanks, and filtration systems (e.g., bag or sand filters) that are designed to remove sediment.

To the extent feasible, utilize vegetated, upland areas of the site to infiltrate dewatering water before discharge. At all points where dewatering water is discharged, utilize velocity dissipation controls. Examples of velocity dissipation devices include check dams, sediment traps, riprap, and grouted riprap at outlets.

- viii.** The permittee shall provide and maintain natural buffers to the maximum extent possible (and/or equivalent erosion and sediment controls) when tribal waters are located within 100 feet of the boundaries. If infeasible to provide and maintain an undisturbed 100 foot natural buffer, erosion and sediment controls to achieve the sediment load reduction equivalent to a 100-foot undisturbed natural buffer shall be required.

*Stormwater Pollution Prevention Plan (SWPPP)
Woodland Cove
Wareham, Massachusetts*

APPENDIX C

**NOTICE OF INTENT (NOI) AND
EPA AUTHORIZATION EMAILS**

From: no-reply@epacdx.net
To: no-reply@epacdx.net
Subject: EPA NeT CGP Forms Certified: Woodland Cove, NPDES ID MAR1003BZ
Date: Wednesday, April 20, 2022, 12:32:21 PM

2022-04-20

Dear NeT User,

Alex Beaton successfully certified the following forms within NeT CGP:

| NPDES ID | Form Type | Operator | Project/Site Name | City, State | Targeted End of Review |
|-----------|-----------|-----------------|-------------------|-------------|------------------------|
| MAR1003BZ | NOI | Dakota Partners | Woodland Cove | Wareham, MA | 05/04/2022 |

If your NOI or Change-NOI is subject to review, your coverage under the CGP begins at the conclusion of the 14-day waiting period, unless otherwise notified that your coverage has been delayed or denied. You will receive an email informing you once your coverage under the CGP is active.

If you were the certifier of this form, a copy of your submission is also available on the Submission History tab of your EPA Central Data Exchange (CDX) account. If you have questions about this email or about NeT CGP, please refer to the [NeT Help Center](#) or e-mail NPDESereporting@epa.gov for assistance.

This is an automated notification; please do not reply to this email.

APPENDIX D

DELEGATION OF AUTHORITY FORM

Delegation of Authority Form

Delegation of Authority

I, _____ (name), hereby designate the person below to be a duly authorized representative for the purpose of overseeing compliance with environmental requirements, including the Construction General Permit, at the Woodland Cove construction site. The designee is authorized to sign any reports, stormwater pollution prevention plans and all other documents required by the permit.

_____ (name of person)
_____ (company)
_____ (address)
_____ (city, state, zip)
_____ (phone)

By signing this authorization, I confirm that I meet the requirements to make such a designation as set forth in Appendix I of EPA's Construction General Permit (CGP), and that the designee above meets the definition of a "duly authorized representative" as set forth in Appendix I.

I certify under penalty of law that this document and all attachments were prepared under my direction or supervision in accordance with a system designed to assure that qualified personnel properly gathered and evaluated the information submitted. Based on my inquiry of the person or persons who manage the system, or those persons directly responsible for gathering the information, the information submitted is, to the best of my knowledge and belief, true, accurate, and complete. I am aware that there are significant penalties for submitting false information, including the possibility of fine and imprisonment for knowing violations.

Name: _____
Company: _____
Title: _____
Signature: _____
Date: _____

*Stormwater Pollution Prevention Plan (SWPPP)
Woodland Cove
Wareham, Massachusetts*

APPENDIX E

OPERATOR CERTIFICATION

*Stormwater Pollution Prevention Plan (SWPPP)
Woodland Cove
Wareham, Massachusetts*

Owner/Operator Certification Form
Stormwater Pollution Prevention Plan (SWPPP)
NPDES Construction General Permit (CGP)

I certify under penalty of law that this document and all attachments were prepared under my direction or supervision in accordance with a system designed to assure that qualified personnel properly gathered and evaluated the information submitted. Based on my inquiry of the person or persons who manage the system, or those persons directly responsible for gathering the information, the information submitted is, to the best of knowledge and belief, true, accurate, and complete. I am aware that there are significant penalties for submitting false information, including the possibility of fine and imprisonment for knowing violations.

Signed

Date

Name and Title

Address

Telephone

Firm Name

Telephone

Type of Construction Service(s) to be provided:

*Stormwater Pollution Prevention Plan (SWPPP)
Woodland Cove
Wareham, Massachusetts*

Contractor/Operator Certification Form
Stormwater Pollution Prevention Plan (SWPPP)
NPDES Construction General Permit (CGP)

I certify under penalty of law that this document and all attachments were prepared under my direction or supervision in accordance with a system designed to assure that qualified personnel properly gathered and evaluated the information submitted. Based on my inquiry of the person or persons who manage the system, or those persons directly responsible for gathering the information, the information submitted is, to the best of knowledge and belief, true, accurate, and complete. I am aware that there are significant penalties for submitting false information, including the possibility of fine and imprisonment for knowing violations.

Signed

Date

Name and Title

Address

Telephone

Firm Name

Telephone

Type of Construction Service(s) to be provided:

*Stormwater Pollution Prevention Plan (SWPPP)
Woodland Cove
Wareham, Massachusetts*

APPENDIX F

SUBCONTRACTOR AGREEMENT

Subcontractor Certification Form
Stormwater Pollution Prevention Plan (SWPPP)
NPDES Construction General Permit (CGP)

Project Number: _____

Project Title: _____

Operator(s): _____

As a subcontractor, you are required to comply with the Stormwater Pollution Prevention Plan (SWPPP) for any work that you perform on-site. Any person or group who violates any condition of the SWPPP may be subject to substantial penalties or loss of contract. You are encouraged to advise each of your employees working on this project of the requirements of the SWPPP. A copy of the SWPPP is available for your review at the office trailer.

Each subcontractor engaged in activities at the construction site that could impact stormwater must be identified and sign the following certification statement:

I certify under the penalty of law that I have read and understand the terms and conditions of the SWPPP for the above designated project and agree to follow the practices described in the SWPPP.

This certification is hereby signed in reference to the above named project:

Company: _____

Address: _____

Telephone Number: _____

Type of construction service to be provided: _____

Signature: _____

Title: _____

Date: _____

*Stormwater Pollution Prevention Plan (SWPPP)
Woodland Cove
Wareham, Massachusetts*

APPENDIX G

SWPPP TRAINING DOCUMENTATION

*Stormwater Pollution Prevention Plan (SWPPP)
Woodland Cove
Wareham, Massachusetts*

APPENDIX H

SWPPP INSPECTION REPORTS

Stormwater Construction Site Inspection Report

| General Information | | | |
|--|---------------|----------------|---------------------------------------|
| Project Name | Woodland Cove | | |
| NPDES Tracking No. | | Location | 3102 Cranberry Highway Wareham, MA |
| Date of Inspection | | Start/End Time | |
| Inspector's Name(s) | | | |
| Inspector's Title(s) | | | |
| Inspector's Contact Information | | | |
| Inspector's Qualifications | | | |
| Describe present phase of construction | | | |
| Type of Inspection: <input type="checkbox"/> Regular <input type="checkbox"/> Pre-storm event <input type="checkbox"/> During storm event <input type="checkbox"/> Post-storm event | | | |
| Weather Information | | | |
| Has there been a storm event since the last inspection? <input type="checkbox"/> Yes <input type="checkbox"/> No If yes, provide: Storm Start Date & Time: Storm Duration (hrs): Approximate Amount of Precipitation (in): | | | |
| Weather at time of this inspection? <input type="checkbox"/> Clear <input type="checkbox"/> Cloudy <input type="checkbox"/> Rain <input type="checkbox"/> Sleet <input type="checkbox"/> Fog <input type="checkbox"/> Snowing <input type="checkbox"/> High Winds <input type="checkbox"/> Other: Temperature: | | | |
| Have any discharges occurred since the last inspection? <input type="checkbox"/> Yes <input type="checkbox"/> No If yes, describe: | | | |
| Are there any discharges at the time of inspection? <input type="checkbox"/> Yes <input type="checkbox"/> No If yes, describe: | | | |

Site-specific BMPs:

- *Number the structural and non-structural BMPs identified in your SWPPP on your site map and list them below (add as many BMPs as necessary). Carry a copy of the numbered site map with you during your inspections. This list will ensure that you are inspecting all required BMPs at your site.*
- *Describe corrective actions initiated, date completed, and note the person that completed the work in the Corrective Action Log.*

| | BMP | BMP Installed? | BMP Maintenance Required? | Corrective Action Needed and Notes |
|---|-----|--|--|------------------------------------|
| 1 | | <input type="checkbox"/> Yes <input type="checkbox"/> No | <input type="checkbox"/> Yes <input type="checkbox"/> No | |
| 2 | | <input type="checkbox"/> Yes <input type="checkbox"/> No | <input type="checkbox"/> Yes <input type="checkbox"/> No | |
| 3 | | <input type="checkbox"/> Yes <input type="checkbox"/> No | <input type="checkbox"/> Yes <input type="checkbox"/> No | |
| 4 | | <input type="checkbox"/> Yes <input type="checkbox"/> No | <input type="checkbox"/> Yes <input type="checkbox"/> No | |
| 5 | | <input type="checkbox"/> Yes <input type="checkbox"/> No | <input type="checkbox"/> Yes <input type="checkbox"/> No | |

| | BMP | BMP Installed? | BMP Maintenance Required? | Corrective Action Needed and Notes |
|----|-----|--|--|------------------------------------|
| 6 | | <input type="checkbox"/> Yes <input type="checkbox"/> No | <input type="checkbox"/> Yes <input type="checkbox"/> No | |
| 7 | | <input type="checkbox"/> Yes <input type="checkbox"/> No | <input type="checkbox"/> Yes <input type="checkbox"/> No | |
| 8 | | <input type="checkbox"/> Yes <input type="checkbox"/> No | <input type="checkbox"/> Yes <input type="checkbox"/> No | |
| 9 | | <input type="checkbox"/> Yes <input type="checkbox"/> No | <input type="checkbox"/> Yes <input type="checkbox"/> No | |
| 10 | | <input type="checkbox"/> Yes <input type="checkbox"/> No | <input type="checkbox"/> Yes <input type="checkbox"/> No | |

Overall Site Issues:

Below are some general site issues that should be assessed during inspections. Customize this list as needed for conditions at your site.

| | BMP/activity | Implemented? | Maintenance Required? | Corrective Action Needed and Notes |
|---|---|--|--|------------------------------------|
| 1 | Are all slopes and disturbed areas not actively being worked properly stabilized? | <input type="checkbox"/> Yes <input type="checkbox"/> No | <input type="checkbox"/> Yes <input type="checkbox"/> No | |
| 2 | Are natural resource areas (e.g., streams, wetlands, mature trees, etc.) protected with barriers or similar BMPs? | <input type="checkbox"/> Yes <input type="checkbox"/> No | <input type="checkbox"/> Yes <input type="checkbox"/> No | |
| 3 | Are perimeter controls and sediment barriers adequately installed (keyed into substrate) and maintained? | <input type="checkbox"/> Yes <input type="checkbox"/> No | <input type="checkbox"/> Yes <input type="checkbox"/> No | |
| 4 | Are discharge points and receiving waters free of any sediment deposits? | <input type="checkbox"/> Yes <input type="checkbox"/> No | <input type="checkbox"/> Yes <input type="checkbox"/> No | |
| 5 | Are storm drain inlets properly protected? | <input type="checkbox"/> Yes <input type="checkbox"/> No | <input type="checkbox"/> Yes <input type="checkbox"/> No | |
| 6 | Is the construction exit preventing sediment from being tracked into the street? | <input type="checkbox"/> Yes <input type="checkbox"/> No | <input type="checkbox"/> Yes <input type="checkbox"/> No | |
| 7 | Is trash/litter from work areas collected and placed in covered dumpsters? | <input type="checkbox"/> Yes <input type="checkbox"/> No | <input type="checkbox"/> Yes <input type="checkbox"/> No | |
| 8 | Are washout facilities (e.g., paint, stucco, concrete) available, clearly marked, and maintained? | <input type="checkbox"/> Yes <input type="checkbox"/> No | <input type="checkbox"/> Yes <input type="checkbox"/> No | |

| | BMP/activity | Implemented? | Maintenance Required? | Corrective Action Needed and Notes |
|----|--|--|--|---|
| 9 | Are vehicle and equipment fueling, cleaning, and maintenance areas free of spills, leaks, or any other deleterious material? | <input type="checkbox"/> Yes <input type="checkbox"/> No | <input type="checkbox"/> Yes <input type="checkbox"/> No | |
| 10 | Are materials that are potential stormwater contaminants stored inside or under cover? | <input type="checkbox"/> Yes <input type="checkbox"/> No | <input type="checkbox"/> Yes <input type="checkbox"/> No | |
| 11 | Are non-stormwater discharges (e.g., wash water, dewatering) properly controlled? | <input type="checkbox"/> Yes <input type="checkbox"/> No | <input type="checkbox"/> Yes <input type="checkbox"/> No | |
| 12 | (Other) | <input type="checkbox"/> Yes <input type="checkbox"/> No | <input type="checkbox"/> Yes <input type="checkbox"/> No | |

Non-Compliance

| |
|---|
| Describe any incidents of non-compliance not described above: |
|---|

CERTIFICATION STATEMENT

“I certify under penalty of law that this document and all attachments were prepared under my direction or supervision in accordance with a system designed to assure that qualified personnel properly gathered and evaluated the information submitted. Based on my inquiry of the person or persons who manage the system, or those persons directly responsible for gathering the information, the information submitted is, to the best of my knowledge and belief, true, accurate, and complete. I am aware that there are significant penalties for submitting false information, including the possibility of fine and imprisonment for knowing violations.”

Print name and title: _____
 (Qualified Person performing the Inspection)

Signature: _____ **Date:** _____

Print name and title: _____
 (Contractor/Operator)

Signature: _____ **Date:** _____

Stormwater Pollution Prevention Plan (SWPPP)
Woodland Cove
Wareham, Massachusetts

APPENDIX I

CORRECTIVE ACTION FORMS

SWPPP Corrective Action Report Form

Purpose

This Corrective Action Report Form is designed to assist you in preparing corrective action reports for EPA's 2022 Construction General Permit (CGP). Filling the form out will create a corrective action report that complies with the minimum reporting requirements of the CGP.

You are only required to fill out this form if one of the corrective actions triggering conditions occurs on your site. Routine maintenance and repairs are generally not considered to be a corrective action triggering condition. Corrective actions are triggered only for specific, more serious conditions that are identified below in the "Overview of Corrective Action Requirements."

Overview of Corrective Action Requirements

Construction operators covered under the CGP are required to conduct corrective actions and report on progress made in correcting the problem condition(s) in accordance with the following requirements:

Corrective Action Triggering Conditions

Corrective action is required whenever any of the following conditions occur at your site:

- A required stormwater control was never installed, was installed incorrectly, or not in accordance with the requirements of the CGP;
- The stormwater controls (e.g., erosion and sediment controls or pollution prevention controls) that have been installed and maintained are not effective enough for the discharge to meet applicable water quality standards or applicable requirements in CGP;
- Where monitoring is applicable, weekly discharge average exceeds 50 NTU,
- A prohibited discharge as defined in the CGP has occurred or is occurring; or
- Any corrective actions required by EPA as a result of permit violations found during an inspection.

Deadlines for Completing Corrective Actions

You must complete corrective action (e.g., installing and making operational any new or modified control, correcting errors in installation, preventing, mitigating, or cleaning up spills or leaks making repairs) by no later than 7 calendar days from the time of discovery of the condition. If infeasible to complete the installation or repair within 7 calendar days, you must document why it is infeasible and document your schedule for completing the corrective action as soon as practicable.

Deadlines for Documenting Corrective Actions in a Report

You are required to complete a corrective action report for each of corrective action you take in accordance with the following deadlines.

- Within 24 hours of discovering the occurrence of a corrective action triggering condition, you must document the following:
 - The condition identified at your site;
 - The nature of the condition identified; and
 - The date and time of the condition identified and how it was identified
- Within 7 calendar days of discovering a triggering condition, you must document the following:
 - Any follow-up actions taken to review the design, installation, and maintenance of stormwater controls, including the dates such actions occurred;
 - A summary of stormwater controls modifications taken or to be taken, including a schedule of activities necessary to implement changes, and the date the modifications are completed or expected to be completed; and
 - Notice of whether SWPPP modifications are required as a result of the condition identified or corrective action.

Instructions for Using This Report Form

The following tips for using this form will help you ensure that the minimum permit requirements are met:

- **Review the corrective action requirements.** Before you fill out this corrective action report form, read the CGP's Part 5 corrective action requirements. This will ensure that you have a working understanding of the permit's underlying corrective action requirements.
- **Complete a separate report for each condition that triggers corrective action.** For each triggering condition on your site, you will need to fill out a separate corrective action report form.
- **Complete all required text fields.** Fill out all text fields. Only by filling out all fields will the form be compliant with the requirements of the permit. (Note: Where you do not need the number of rows provided in the corrective action report form, you leave those rows blank. Or, if you need more space to document your findings, you may add an additional sheet.)
- **Sign and certify each corrective action report.** Each corrective action report form must be signed and certified by the permittee to be considered complete. Where your corrective actions are carried out by a contractor or subcontractor, it is recommended that you also have the form signed and certified by the inspector, in addition to the signature and certification required of the permitted operator. The form includes a signature block for both parties.
- **Include the corrective action report form with your SWPPP.** Once your form is complete, make sure to include a copy of the corrective action report form in your SWPPP.
- **Retain copies of all corrective action reports with your records.** You must retain copies of your corrective action reports in your records. These reports must be retained for at least 3 years from the date your permit coverage expires or is terminated.

Section-by-Section Instructions

You will find specific instructions corresponding to each section of the report form on the reverse side of each page. These instructions were written in order to provide you with more details in terms of what EPA expects to be documented in these reports.

SWPPP Corrective Action Form

Section A – Initial Report

(Complete this section within 24 hours of discovering the condition that triggered corrective action)

| | | | | | |
|--|---------------|--------------------------------------|--|---------------------|--|
| Name of Project | Woodland Cove | CGP Tracking No. | | Today's Date | |
| Date Problem First Discovered | | Time Problem First Discovered | | | |
| Name and Contact Information of Individual Completing this Form | | | | | |

What site conditions triggered the requirement to conduct corrective action *(check the box that applies):*

- A required stormwater control was never installed, was installed incorrectly, or not in accordance with the requirements in Part 2 and/or 3
- The stormwater controls that have been installed and maintained are not effective enough for the discharge to meet applicable water quality standards or applicable requirements in Part 3.1 of the permit
- A Part 2.3.1 prohibited discharge has occurred or is occurring
- EPA requires corrective action as a result of permit violations found during an EPA inspection carried out under Part 4.2

Provide a description of the problem:

Deadline for completing corrective action *(Enter date that is either: (1) no more than 7 calendar days after the date you discovered the problem, or (2) if it is infeasible to complete work within the first 7 days, enter the date that is as soon as practicable following the 7th day):*

If your estimated date of completion falls after the 7-day deadline, explain (1) why you believe it is infeasible to complete work within 7 days, and (2) why the date you have established for making the new or modified stormwater control operational is the soonest practicable timeframe:

Section B – Corrective Action Progress

(Complete this section no later than 7 calendar days after discovering the condition that triggered corrective action)

Section B.1 – Why the Problem Occurred

| Cause(s) of Problem <i>(Add an additional sheet if necessary)</i> | How This Was Determined and the Date You Determined the Cause |
|---|--|
| 1. | 1. |
| 2. | 2. |

Section B.2 – Stormwater Control Modifications to be Implemented to Correct the Problem

| List of Stormwater Control Modification(s) Needed to Correct Problem <i>(Add an additional sheet if necessary)</i> | Date of Completion | SWPPP Update Necessary? | Notes |
|--|---------------------------|--|--------------|
| 1. | | <input type="checkbox"/> Yes <input type="checkbox"/> No If yes, provide date SWPPP modified: | |
| 2. | | <input type="checkbox"/> Yes <input type="checkbox"/> No If yes, provide date SWPPP modified: | |

SWPPP Corrective Action Form

Instructions for Filling Out the Initial Report (Section A)

You must complete Section A of the report form within 24 hours of discovering the condition that triggered corrective action

Name of Project

Enter the name for the project.

CGP Tracking No.

Enter the tracking number that was assigned to your NOI application for permit coverage.

Today's Date

Enter the date you completed this form.

Date/Time Problem First Discovered

Specify the date on which the triggering condition was first discovered. Also specify the time of the discovery.

Name/Contact Information

Provide the individual's name, title, and contact information as directed in the form.

Site Condition That Triggered Corrective Action

Under the CGP, corrective action is required when one of 3 triggering conditions occurs at your site. See CGP Parts 5.2.1 and 5.3. Check the box that corresponds to the condition that triggered this corrective action.

Description of the Site Condition

Provide a summary description of the condition you found that triggered corrective action under CGP Part 5.2.1 and the specific location where it was found. Be as specific as possible about the location; it is recommended that you refer to a precise point on your site map. If you have already provided this explanation in an inspection report, you can refer to that report.

Deadline for Completing Corrective Action

This deadline is fixed in CGP Part 5.2.1. For all projects, the deadline is either: (1) no more than 7 calendar days after the date you discovered the problem, or (2) if it is infeasible to complete work within the first 7 days, as soon as practicable following the 7th day. If your estimated date of completion falls after the 7-day deadline consistent with (2), above, explain (a) why you believe it is infeasible to complete work within 7 days, and (b) why the date you have established for making the new or modified stormwater control operational is the soonest practicable timeframe:

Instructions for Filling Out the Corrective Action Progress Table (Section B)

You must complete Section B of the report form no later than 7 calendar days after discovering the condition that triggered corrective action.

Section B.1 – Why the Problem Occurred

After you have had the opportunity to examine the problem more closely, provide details as to what you believe to be the cause of the problem, and specify the follow-up actions you took (along with the dates of such actions) to diagnose the problem. This is consistent with CGP Part 5.4.2.1.

Section B.2 – Stormwater Control Modifications to be Implemented

Provide a list of modifications you plan to make to your stormwater controls to correct the problem and the date you completed such work. Keep in mind that your work must be completed within the timeline specified in Section A for the completion of corrective action work.

Also, if a SWPPP modification is necessary consistent with Part 7.4.1.1 in order to reflect changes implemented at your site, indicate the date you modified your SWPPP. Keep in mind that SWPPP changes must be made within 7 days of discovering the problem that triggered this corrective action.

Space is provided for you to include additional notes or observations regarding the change that you implemented at your site to correct the problem.

SWPPP Corrective Action Form

Section C – Certification and Signature

Section C.1 – Certification and Signature by Contractor or Subcontractor

“I certify under penalty of law that this document and all attachments were prepared under my direction or supervision in accordance with a system designed to assure that qualified personnel properly gathered and evaluated the information submitted. Based on my inquiry of the person or persons who manage the system, or those persons directly responsible for gathering the information, the information submitted is, to the best of my knowledge and belief, true, accurate, and complete. I am aware that there are significant penalties for submitting false information, including the possibility of fine and imprisonment for knowing violations.”

Signature of Contractor or Subcontractor: _____ **Date:** _____

Printed Name and Affiliation: _____

Section C.2 – Certification and Signature by Permittee

“I certify under penalty of law that this document and all attachments were prepared under my direction or supervision in accordance with a system designed to assure that qualified personnel properly gathered and evaluated the information submitted. Based on my inquiry of the person or persons who manage the system, or those persons directly responsible for gathering the information, the information submitted is, to the best of my knowledge and belief, true, accurate, and complete. I am aware that there are significant penalties for submitting false information, including the possibility of fine and imprisonment for knowing violations.”

**Signature of Permittee or
“Duly Authorized Representative”:** _____ **Date:** _____

Printed Name and Affiliation: _____

SWPPP Corrective Action Form

Instructions for Signature and Certification (Section C)

Each corrective action report must be signed and certified to be considered complete.

Section C.1 – Contractor or Subcontractor Signature and Certification

Where a contractor or subcontractor is relied on to complete this report and the associated corrective action, you should require the individual(s) to sign and certify each report. Note that this does not relieve you of the requirement to sign and certify the report as well.

Section C.2 – Signature and Certification by Permittee

At a minimum, the corrective action report form must be signed by either (1) the person who signed the NOI, or (2) a duly authorized representative of that person. The following requirements apply to scenarios (1) and (2):

If the signatory will be the person who signed the NOI for permit coverage, as a reminder, that person must be one of the following types of individuals:

- *For a corporation:* A responsible corporate officer. For the purpose of this subsection, a responsible corporate officer means: (i) a president, secretary, treasurer, or vice-president of the corporation in charge of a principal business function, or any other person who performs similar policy- or decision-making functions for the corporation, or (ii) the manager of one or more manufacturing, production, or operating facilities, provided, the manager is authorized to make management decisions which govern the operation of the regulated facility including having the explicit or implicit duty of making major capital investment recommendations, and initiating and directing other comprehensive measures to assure long term environmental compliance with environmental laws and regulations; the manager can ensure that the necessary systems are established or actions taken to gather complete and accurate information for permit application requirements; and where authority to sign documents has been assigned or delegated to the manager in accordance with corporate procedures.
- *For a partnership or sole proprietorship:* A general partner or the proprietor, respectively.
- *For a municipality, state, federal, or other public agency:* Either a principal executive officer or ranking elected official. For purposes of this subsection, a principal executive officer of a federal agency includes (i) the chief executive officer of the agency, or (ii) a senior executive officer having responsibility for the overall operations of a principal geographic unit of the agency (e.g., Regional Administrator of EPA).

If the signatory will be a duly authorized representative, the following requirements must be met:

- The authorization is made in writing by the person who signed the NOI (see above);
- The authorization specifies either an individual or a position having responsibility for the overall operation of the regulated facility or activity such as the position of plant manager, operator of a well or a well field, superintendent, position of equivalent responsibility, or an individual or position having overall responsibility for environmental matters for the company. (A duly authorized representative may thus be either a named individual or any individual occupying a named position); and
- The signed and dated written authorization is included in the SWPPP. A copy must be submitted to EPA, if requested.

Stormwater Pollution Prevention Plan (SWPPP)
Woodland Cove
Wareham, Massachusetts

APPENDIX J

CONSTRUCTION ACTIVITIES LOG

Record of Stabilization and Construction Activities

A record of dates when major grading activities occur, when construction activities temporarily or permanently cease on a portion of the site, and when stabilization measures are initiated shall be maintained until final site stabilization is achieved and the Notice of Termination is filed. The dates can be entered in the following form, or on a different form.

| Start Date | End Date | Description of Activity | Location |
|-------------------|-----------------|--------------------------------|-----------------|
| | | | |

Signature:

| Start Date | End Date | Description of Activity | Location |
|-------------------|-----------------|--------------------------------|-----------------|
| | | | |

Signature:

| Start Date | End Date | Description of Activity | Location |
|-------------------|-----------------|--------------------------------|-----------------|
| | | | |

Signature:

| Start Date | End Date | Description of Activity | Location |
|-------------------|-----------------|--------------------------------|-----------------|
| | | | |

Signature:

| Start Date | End Date | Description of Activity | Location |
|-------------------|-----------------|--------------------------------|-----------------|
| | | | |

Signature:

Stormwater Pollution Prevention Plan (SWPPP)
Woodland Cove
Wareham, Massachusetts

| Start Date | End Date | Description of Activity | Location |
|-------------------|-----------------|--------------------------------|-----------------|
| | | | |

Signature:

| Start Date | End Date | Description of Activity | Location |
|-------------------|-----------------|--------------------------------|-----------------|
| | | | |

Signature:

| Start Date | End Date | Description of Activity | Location |
|-------------------|-----------------|--------------------------------|-----------------|
| | | | |

Signature:

| Start Date | End Date | Description of Activity | Location |
|-------------------|-----------------|--------------------------------|-----------------|
| | | | |

Signature:

| Start Date | End Date | Description of Activity | Location |
|-------------------|-----------------|--------------------------------|-----------------|
| | | | |

Signature:

| Start Date | End Date | Description of Activity | Location |
|-------------------|-----------------|--------------------------------|-----------------|
| | | | |

Signature:

Stormwater Pollution Prevention Plan (SWPPP)
Woodland Cove
Wareham, Massachusetts

| Start Date | End Date | Description of Activity | Location |
|-------------------|-----------------|--------------------------------|-----------------|
| | | | |

Signature:

| Start Date | End Date | Description of Activity | Location |
|-------------------|-----------------|--------------------------------|-----------------|
| | | | |

Signature:

| Start Date | End Date | Description of Activity | Location |
|-------------------|-----------------|--------------------------------|-----------------|
| | | | |

Signature:

| Start Date | End Date | Description of Activity | Location |
|-------------------|-----------------|--------------------------------|-----------------|
| | | | |

Signature:

| Start Date | End Date | Description of Activity | Location |
|-------------------|-----------------|--------------------------------|-----------------|
| | | | |

Signature:

| Start Date | End Date | Description of Activity | Location |
|-------------------|-----------------|--------------------------------|-----------------|
| | | | |

Signature:

Stormwater Pollution Prevention Plan (SWPPP)
Woodland Cove
Wareham, Massachusetts

| Start Date | End Date | Description of Activity | Location |
|-------------------|-----------------|--------------------------------|-----------------|
| | | | |

Signature:

| Start Date | End Date | Description of Activity | Location |
|-------------------|-----------------|--------------------------------|-----------------|
| | | | |

Signature:

| Start Date | End Date | Description of Activity | Location |
|-------------------|-----------------|--------------------------------|-----------------|
| | | | |

Signature:

| Start Date | End Date | Description of Activity | Location |
|-------------------|-----------------|--------------------------------|-----------------|
| | | | |

Signature:

| Start Date | End Date | Description of Activity | Location |
|-------------------|-----------------|--------------------------------|-----------------|
| | | | |

Signature:

| Start Date | End Date | Description of Activity | Location |
|-------------------|-----------------|--------------------------------|-----------------|
| | | | |

Signature:

Stormwater Pollution Prevention Plan (SWPPP)
Woodland Cove
Wareham, Massachusetts

| Start Date | End Date | Description of Activity | Location |
|-------------------|-----------------|--------------------------------|-----------------|
| | | | |

Signature:

| Start Date | End Date | Description of Activity | Location |
|-------------------|-----------------|--------------------------------|-----------------|
| | | | |

Signature:

| Start Date | End Date | Description of Activity | Location |
|-------------------|-----------------|--------------------------------|-----------------|
| | | | |

Signature:

| Start Date | End Date | Description of Activity | Location |
|-------------------|-----------------|--------------------------------|-----------------|
| | | | |

Signature:

| Start Date | End Date | Description of Activity | Location |
|-------------------|-----------------|--------------------------------|-----------------|
| | | | |

Signature:

| Start Date | End Date | Description of Activity | Location |
|-------------------|-----------------|--------------------------------|-----------------|
| | | | |

Signature:

*Stormwater Pollution Prevention Plan (SWPPP)
Woodland Cove
Wareham, Massachusetts*

APPENDIX K

SWPPP AMENDMENTS LOG

SWPPP Amendments Log

To be completed by the Contractor/Operator or SWPPP Inspector as changes to the plans occur, activities commence, areas are temporarily stabilized or activities temporarily cease, or areas are permanently stabilized and removed from the inspection area. Dates of major grading activities must also be recorded.

| Amendment Number and Date | Proposed Activity Or Stabilization Measure | Area of Disturbance or Stabilization | Proposed BMPs |
|----------------------------------|---|---|---|
| 4/25/22 | N/A, New CGP updates only | N/A, New CGP updates only | N/A, Amendments included addition of 2022 CGP/ removal of 2017 CGP, and new guidelines regarding dewatering activities. |
| | | | |
| | | | |
| | | | |
| | | | |
| | | | |
| | | | |
| | | | |
| | | | |

*Stormwater Pollution Prevention Plan (SWPPP)
Woodland Cove
Wareham, Massachusetts*

| Amendment Number and Date | Proposed Activity Or Stabilization Measure | Area of Disturbance or Stabilization | Proposed BMPs |
|--|---|---|----------------------|
| | | | |
| | | | |
| | | | |
| | | | |
| | | | |
| | | | |
| | | | |
| | | | |
| | | | |
| | | | |
| | | | |
| | | | |
| | | | |
| | | | |
| | | | |
| | | | |
| | | | |
| | | | |
| | | | |

Stormwater Pollution Prevention Plan (SWPPP)
Woodland Cove
Wareham, Massachusetts

| Amendment Number and Date | Proposed Activity Or Stabilization Measure | Area of Disturbance or Stabilization | Proposed BMPs |
|---------------------------------|--|--|---------------|
| | | | |
| | | | |
| | | | |
| | | | |
| | | | |
| | | | |
| | | | |
| | | | |
| | | | |
| | | | |
| | | | |
| | | | |
| | | | |
| | | | |
| | | | |
| | | | |
| | | | |
| | | | |
| | | | |
| | | | |
| | | | |
| | | | |
| | | | |

*Stormwater Pollution Prevention Plan (SWPPP)
Woodland Cove
Wareham, Massachusetts*

APPENDIX L

NOTICE OF TERMINATION



Submission of this Notice of Termination constitutes notice that the operator identified in Section II of this form is no longer authorized discharge pursuant to the NPDES Construction General Permit (CGP) from the site identified in Section III of this form. All necessary information must be included on this form. Refer to the instructions at the end of this form.

I. Approval to Use Paper NOT Form

Have you been given approval from the Regional Office to use this paper NOT form*? YES NO

* Note: You must have been given approval by the Regional Office prior to using this paper NOT form.

II. Permit Information

NPDES Stormwater General Permit Tracking Number:

Reason for Termination (Check only one):

- You have completed earth-disturbing activities at your site, and you have met all other requirements in Part 8.2.1.
- Another operator has assumed control over all areas of the site and that operator has submitted an NOI and obtained coverage under the CGP.
- You have obtained coverage under an individual permit or another general NPDES permit addressing stormwater discharges from the construction site.

III. Operator Information

Name:

IRS Employer Identification Number (EIN): -

Mailing Address:

Street:

City: State: Zip Code: -

Phone: - - Ext. Fax (optional): - -

E-mail:

IV. Project/Site Information

Project/Site Name:

Project/Site Address:

Street/Location:

City: State: Zip Code: -

County or similar government subdivision:

V. Certification Information

I certify under penalty of law that this document and all attachments were prepared under my direction or supervision in accordance with a system designed to assure that qualified personnel properly gathered and evaluated the information submitted. Based on my inquiry of the person or persons who manage the system, or those persons directly responsible for gathering the information, the information submitted is, to the best of my knowledge and belief, true, accurate, and complete. I am aware that there are significant penalties for submitting false information, including the possibility of fine and imprisonment for knowing violations.

First Name,

Middle Initial,

Last Name:

Title:

Signature: _____ Date: / /

Email:

**Notice of Termination (NOT) of Coverage Under an NPDES General Permit for
Stormwater Discharges Associated with Construction Activity**

NPDES Form Date (2/16)

This Form Replaces Form 3510-13 (12/08)

Form Approved OMB No. 2040-0004

Who May File an NOT Form

Permittees who are presently covered under the EPA-issued 2012 Construction General Permit (CGP) for Stormwater Discharges Associated with Construction Activity may submit an NOT form when: (1) earth-disturbing activities at the site are completed and the conditions in Parts 8.2.1.1 thru 8.2.1.5 are met; or (2) the permittee has transferred all areas under its control to another operator, and that operator has submitted and obtained coverage under this permit; or (3) the permittee has obtained coverage under a different NPDES permit for the same discharges.

Completing the Form

Type or print, using uppercase letters, in the appropriate areas only. Please place each character between the marks. Abbreviate if necessary to stay within the number of characters allowed for each item. Use only one space for breaks between words, but not for punctuation marks unless they are needed to clarify your response. If you have any questions about this form, refer to www.epa.gov/npdes/stormwater/cgp or telephone EPA's NOI Processing Center at (866) 352-7755. Please submit original document with signature in ink - do not send a photocopied signature.

Section I. Approval to Use Paper NOT Form

You must indicate whether you have been given approval by the EPA Regional Office to use a paper NOT. Note that you are not authorized to use this paper NOT form unless the Regional Office has approved its use.

Section II. Permit Number

Enter the existing NPDES Stormwater General Permit Tracking Number assigned to the project by EPA's Stormwater Notice Processing Center. If you do not know the permit tracking number, refer to <http://www.epa.gov/npdes/stormwater/cgp> or contact EPA's NOI Processing Center at (866) 352-7755.

Indicate your reason for submitting this Notice of Termination by checking the appropriate box. Check only one:

You have completed earth-disturbing activities at your site and, if applicable, construction support activities covered by this permit (see Part 1.6.3) and you have met all other requirements in Part 8.2.1.

Another operator has assumed control over all areas of the site and that operator has submitted an NOI and obtained coverage under the CGP.

You have obtained coverage under an individual permit or another general NPDES permit addressing stormwater discharges from the construction site.

Section III. Operator Information

Provide the legal name of the person, firm, public organization, or any other entity that operates the project described in this application and is covered by the permit tracking number identified in Section I. Refer to Appendix A of the permit for the definition of "operator". Provide the employer identification number (EIN from the Internal Revenue Service; IRS). If the applicant does not have an EIN enter "NA" in the space provided. Enter the complete mailing address, telephone number, and email address of the operator. Optional: enter the fax number of the operator.

Section IV. Project/Site Information

Enter the official or legal name and complete street address, including city, state, zip code, and county or similar government subdivision of the project or site. If the project or site lacks a street

address, indicate the general location of the site (e.g., Intersection of State Highways 61 and 34). Complete site information must be provided for termination of permit coverage to be valid.

Section V. Certification Information

All applications, including NOIs, must be signed as follows:

For a corporation: By a responsible corporate officer. For the purpose of this Part, a responsible corporate officer means: (i) a president, secretary, treasurer, or vice-president of the corporation in charge of a principal business function, or any other person who performs similar policy-or decision-making functions for the corporation, or (ii) the manager of one or more manufacturing, production, or operating facilities, provided, the manager is authorized to make management decisions which govern the operation of the regulated facility including having the explicit or implicit duty of making major capital investment recommendations, and initiating and directing other comprehensive measures to assure long-term environmental compliance with environmental laws and regulations; the manager can ensure that the necessary systems are established or actions taken to gather complete and accurate information for permit application requirements; and where authority to sign documents has been assigned or delegated to the manager in accordance with corporate procedures.

For a partnership or sole proprietorship: By a general partner or the proprietor, respectively; or

For a municipality, state, federal, or other public agency: By either a principal executive officer or ranking elected official. For purposes of this Part, a principal executive officer of a federal agency includes (i) the chief executive officer of the agency, or (ii) a senior executive officer having responsibility for the overall operations of a principal geographic unit of the agency (e.g., Regional Administrator of EPA).

Include the name, title, and email address of the person signing the form and the date of signing. An unsigned or undated NOT form will not be considered valid termination of permit coverage.

Paperwork Reduction Act Notice

Public reporting burden for this application is estimated to average 0.5 hours per notice, including time for reviewing instructions, searching existing data sources, gathering and maintaining the data needed, and completing and reviewing the collection of information. An agency may not conduct or sponsor, and a person is not required to respond to, a collection of information unless it displays a currently valid OMB control number. Send comments regarding the burden estimate, any other aspect of the collection of information, or suggestions for improving this form including any suggestions which may increase or reduce this burden to: Chief, Information Policy Branch, 2136, U.S. Environmental Protection Agency, 1200 Pennsylvania Avenue, NW, Washington, DC 20460. Include the OMB number on any correspondence. Do not send the completed form to this address.

**Notice of Termination (NOT) of Coverage Under an NPDES General Permit for
Stormwater Discharges Associated with Construction Activity**

NPDES Form Date (2/16)

This Form Replaces Form 3510-13 (12/08)

Form Approved OMB No. 2040-0004

Submitting Your Form:

Submit your NOI form by mail to one of the following addresses:

For Regular U.S. Mail Delivery:

Stormwater Notice Processing Center
Mail Code 4203M
U.S. EPA
1200 Pennsylvania Avenue, NW
Washington, DC 20460

For Overnight/Express Mail Delivery:

Stormwater Notice Processing Center
EPA East Building - Room 7420
U.S. EPA
1201 Constitution Avenue, NW
Washington, DC 20004

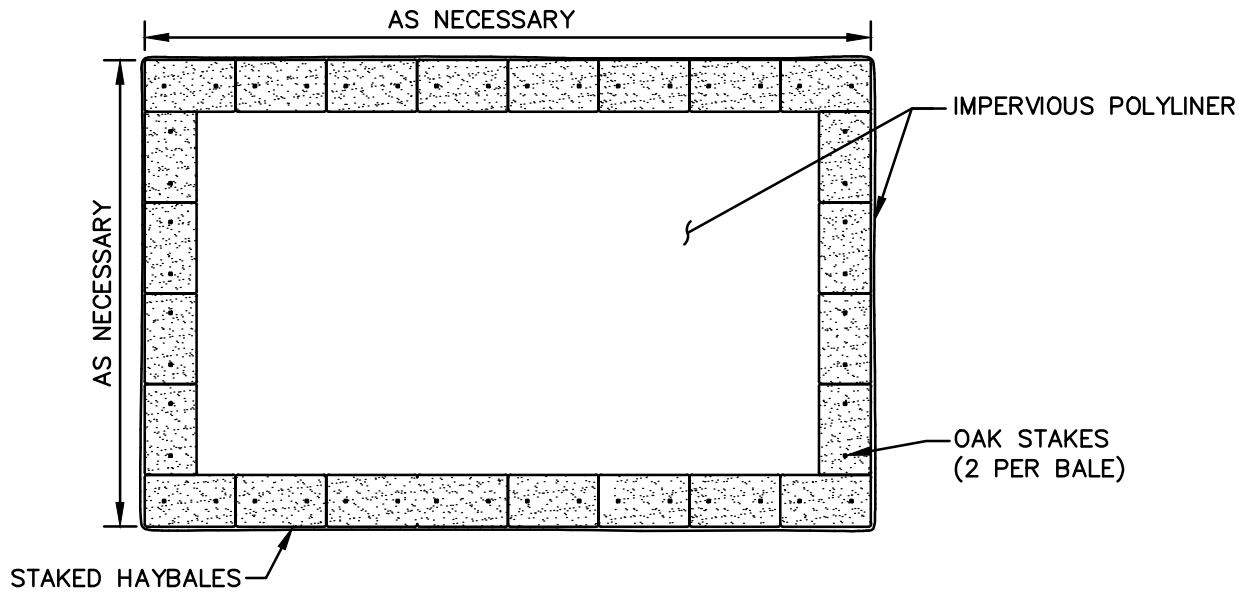
Visit this website for instructions on how to submit electronically:

www.epa.gov/npdes/stormwater/capeno

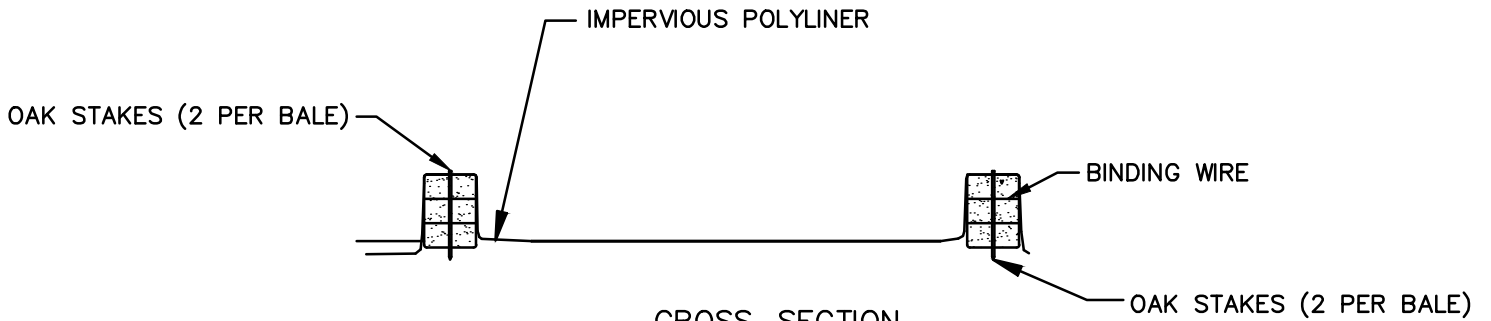
Stormwater Pollution Prevention Plan (SWPPP)
Woodland Cove
Wareham, Massachusetts

APPENDIX M

BMP DETAILS



PLAN VIEW



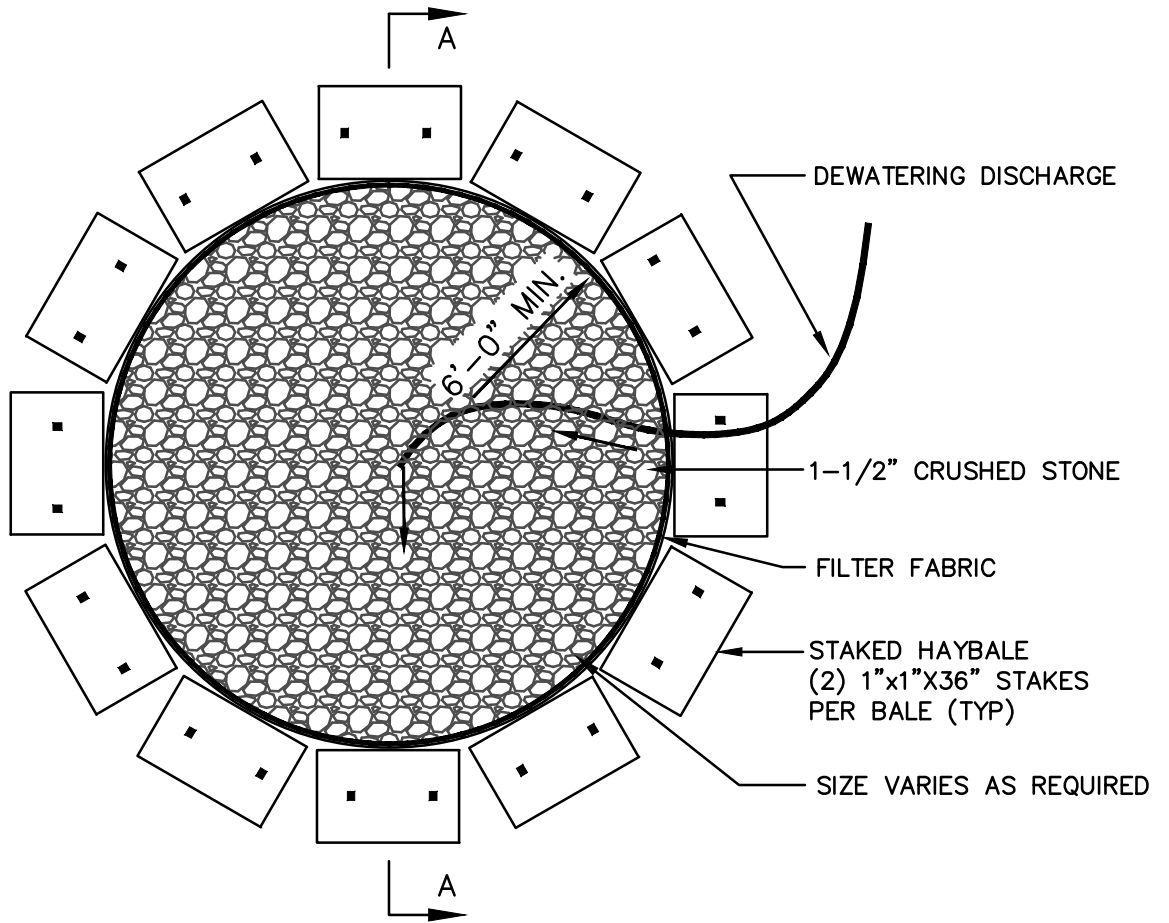
CROSS-SECTION

NOTES:

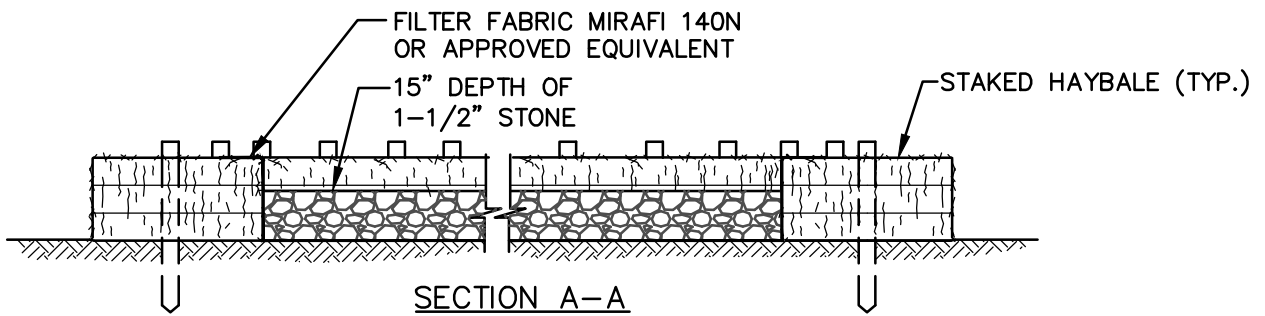
1. SUMPS TO BE CLEANED AND WASTE CONCRETE REMOVED AND PROPERLY DISPOSED OF UPON COMPLETION OF WORK AND AS NECESSARY.
2. CONTRACTOR SHALL INSTALL A "CONCRETE WASHOUT AREA" SIGN FOR EACH WASHOUT AREA.

CONCRETE WASHOUT AREA

SCALE: NONE



PLAN

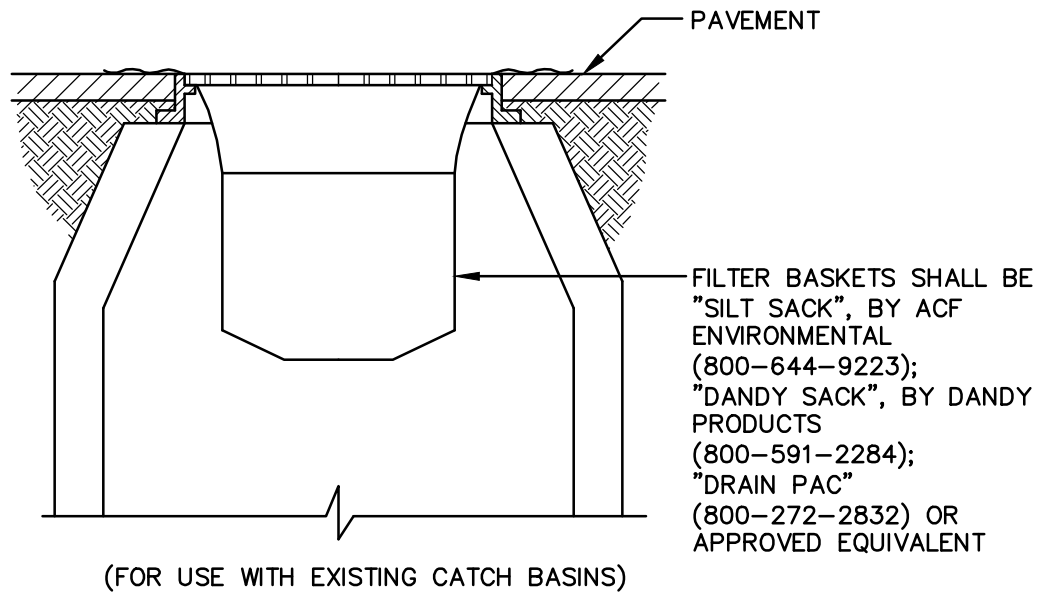


DEWATERING SEDIMENT TRAP
(OR APPROVED EQUAL)

SCALE: NONE

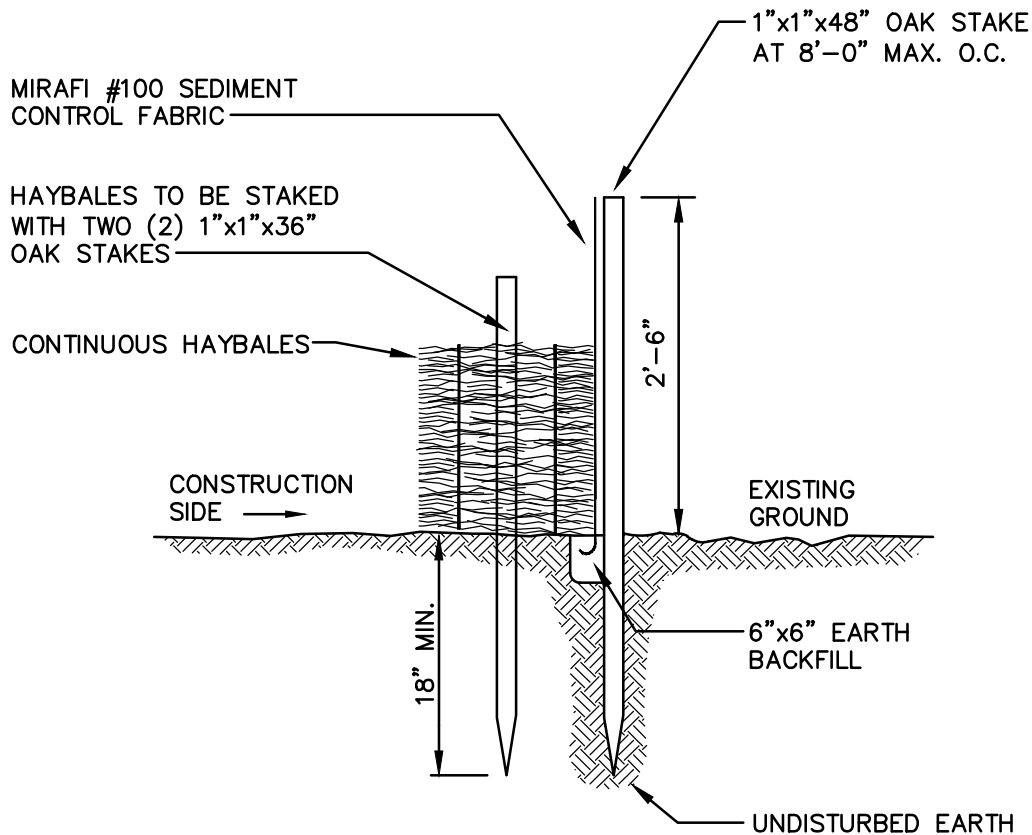
NOTE:

FILTER BASKETS TO BE PLACED IN ALL CATCH BASINS IN THE VICINITY OF NEW CONSTRUCTION. CATCH BASINS ARE TO BE PROTECTED AS SHOWN, WITH MINIMUM WEEKLY MAINTENANCE, OR AS REQUIRED AND REPLACED IF NECESSARY.



SEDIMENT FILTER INLET PROTECTION

SCALE: NONE

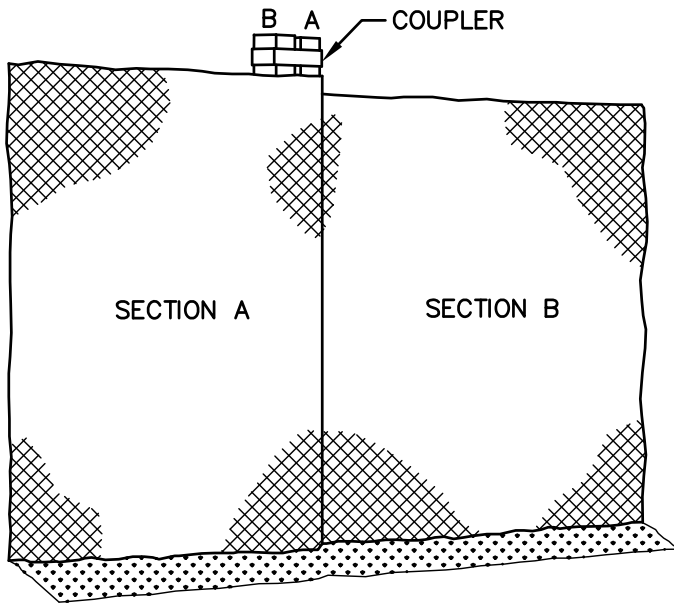
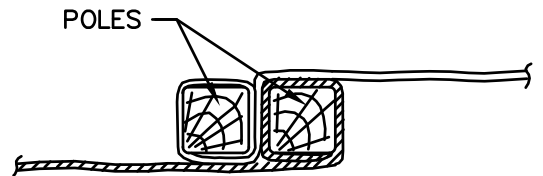
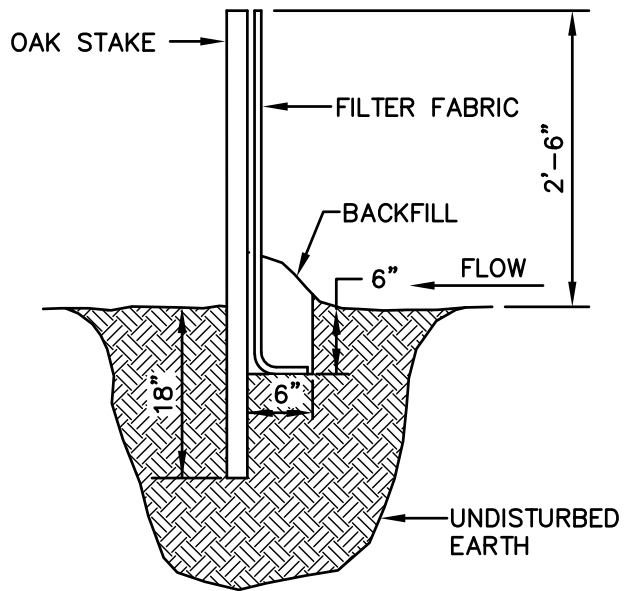


NOTES:

1. BALES SHALL BE PLACED IN A ROW WITH THE ENDS TIGHTLY ABUTTING THE ADJACENT BALES.
2. BALES SHALL BE SECURELY ANCHORED IN PLACE BY TWO (2) 1"x1"x36" OAK STAKES DRIVEN THROUGH THE BALES. THE FIRST STAKE IN EACH BALE SHALL BE ANGLED TOWARD PREVIOUSLY LAID BALE TO FORCE BALES TOGETHER.
3. INSPECTION SHALL BE FREQUENT AND REPAIR OR REPLACEMENT SHALL BE MADE PROMPTLY AS NEEDED.
4. BALES SHALL BE REMOVED AND REPLACED WHEN THEY BECOME FILLED WITH SEDIMENT AND BLOCK OR IMPEDE STORM FLOW OR DRAINAGE.
5. BALES SHALL BE REMOVED WHEN THE EMBANKMENTS STABILIZE.
6. BALES TO BE TWINE BOUND.

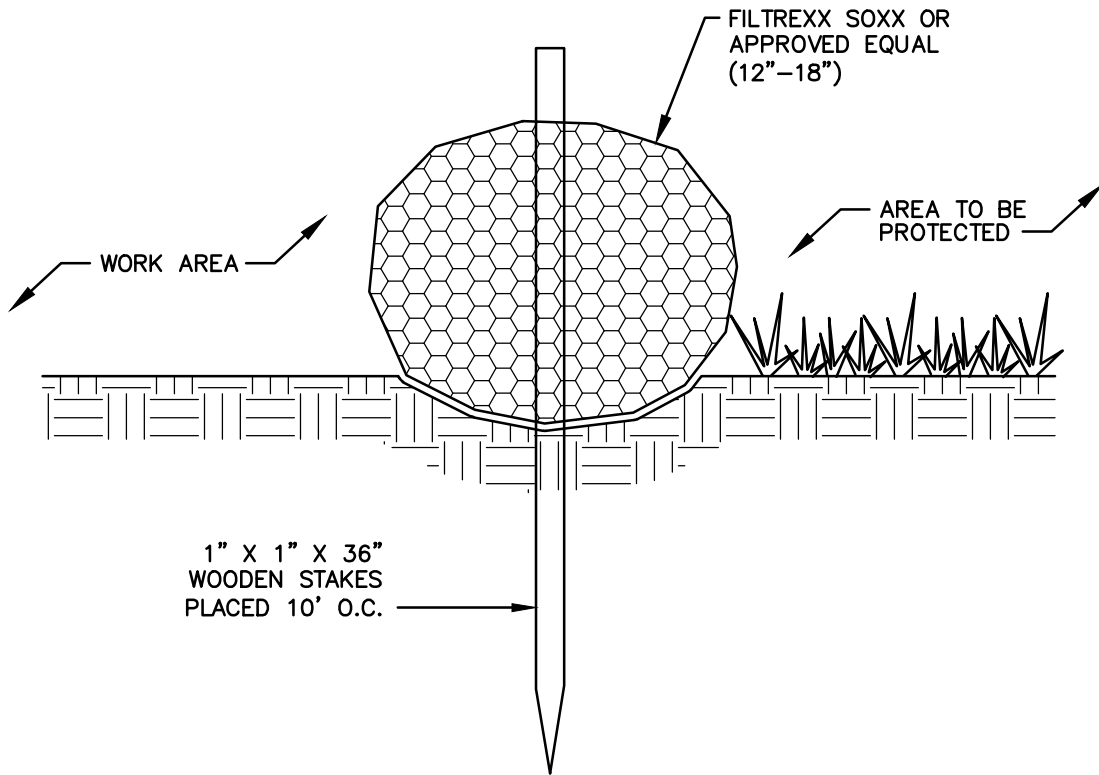
SILT FENCE WITH HAYBALES

SCALE: NONE



SILT FENCE

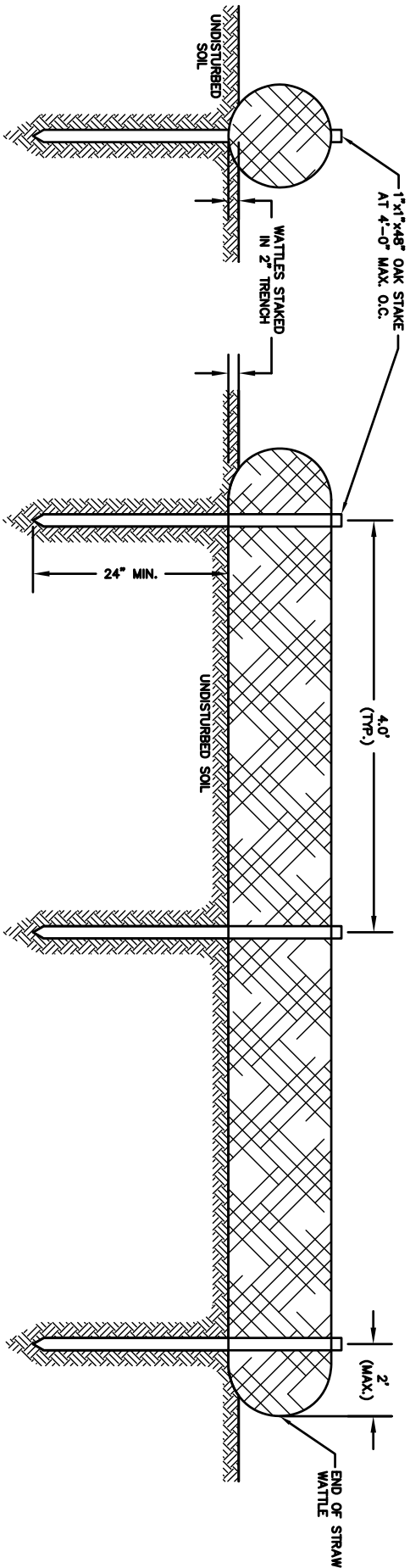
SCALE: NONE



NOTES:

1. ALL MATERIAL TO MEET FILTREXX SPECIFICATIONS.
2. FILTER MEDIA FILL TO MEET APPLICATION REQUIREMENTS.
3. COMPOST MATERIAL TO BE DISPERSED ON SITE, AS DETERMINED BY THE ENGINEER.

SILTSOXX
SCALE: NONE

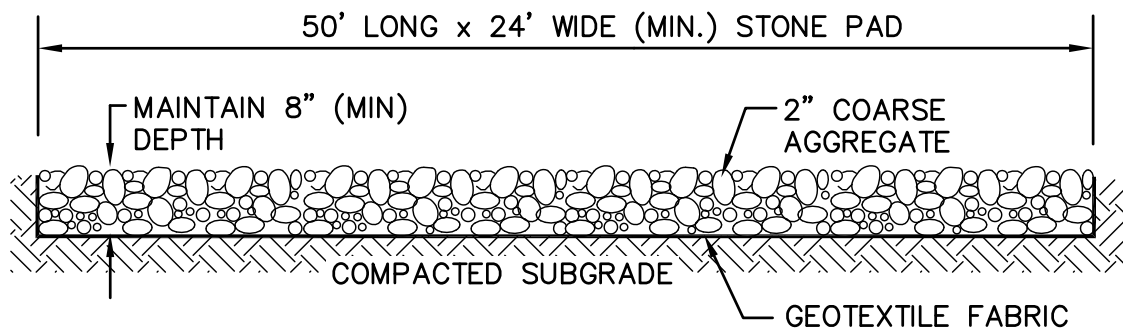


STRAW WATTLE (OR APPROVED EQUAL FOR PERIMETER SEDIMENT CONTROL)

SCALE: NONE

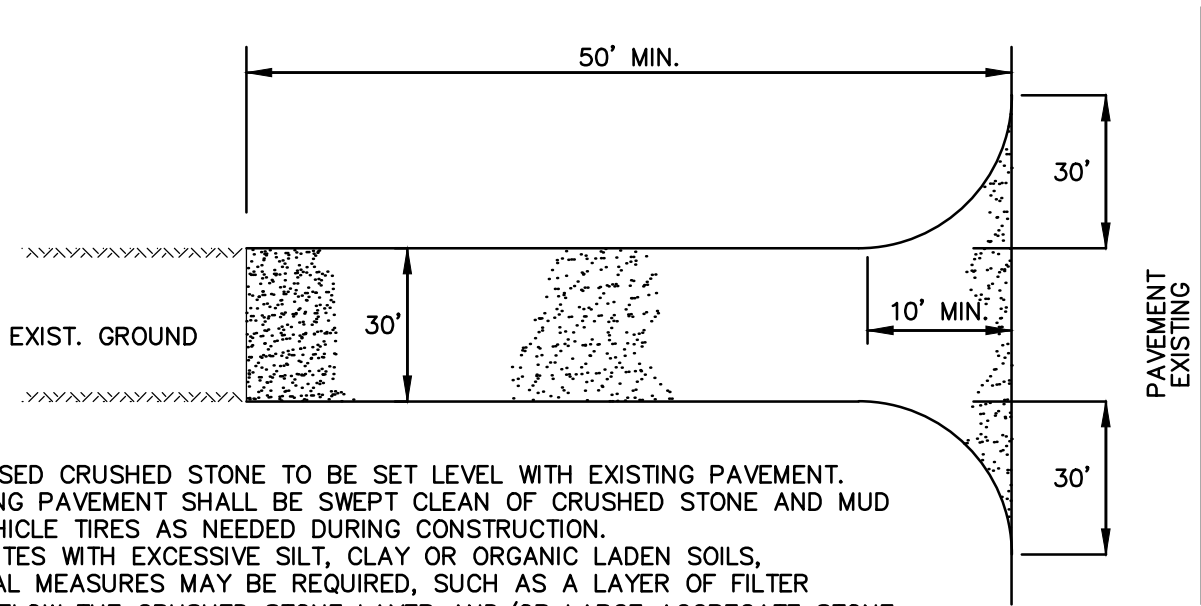
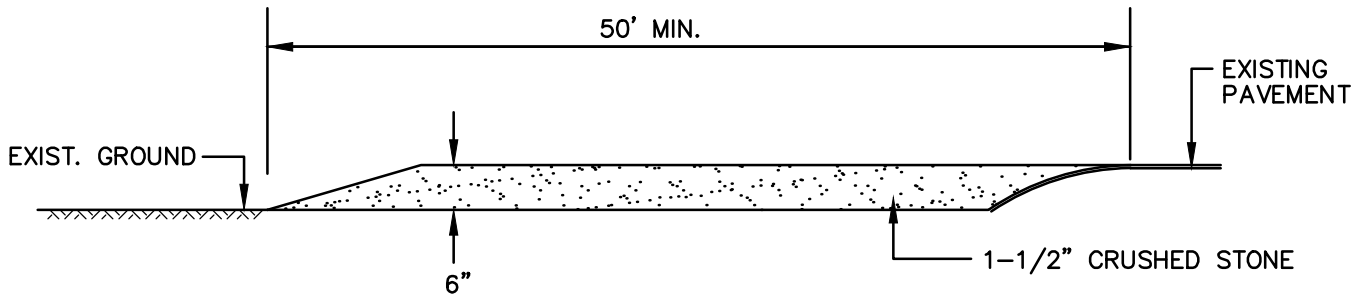
NOTES:

1. STRAW WATTLES SHALL BE INSTALLED PER MANUFACTURER'S RECOMMENDATIONS.
2. ENDS OF WATTLES SHALL BE TURNED SLIGHTLY UPSLOPE.
3. STAKES SHALL NOT EXTEND ABOVE THE STRAW WATTLES MORE THAN 2".
4. SEDIMENT DEPOSITS SHOULD BE REMOVED WHEN THEY REACH HALF THE HEIGHT OF THE STRAW WATTLE.



TEMPORARY CONSTRUCTION ENTRANCE

SCALE: NONE



NOTE:

1. PROPOSED CRUSHED STONE TO BE SET LEVEL WITH EXISTING PAVEMENT.
2. EXISTING PAVEMENT SHALL BE SWEEPED CLEAN OF CRUSHED STONE AND MUD FROM VEHICLE TIRES AS NEEDED DURING CONSTRUCTION.
3. FOR SITES WITH EXCESSIVE SILT, CLAY OR ORGANIC LADEN SOILS, ADDITIONAL MEASURES MAY BE REQUIRED, SUCH AS A LAYER OF FILTER FABRIC BELOW THE CRUSHED STONE LAYER AND/OR LARGE AGGREGATE STONE.

TEMPORARY CONSTRUCTION ENTRANCE

SCALE: NONE

Stormwater Pollution Prevention Plan (SWPPP)
Woodland Cove
Wareham, Massachusetts

APPENDIX N

**CORRESPONDENCE WITH
U.S. FISH AND WILDLIFE SERVICE**



United States Department of the Interior



FISH AND WILDLIFE SERVICE
New England Ecological Services Field Office
70 Commercial Street, Suite 300
Concord, NH 03301-5094
Phone: (603) 223-2541 Fax: (603) 223-0104
<http://www.fws.gov/newengland>

In Reply Refer To:

March 25, 2022

Project code: 2022-0024153

Project Name: Woodland Cove, Cranberry Highway, Wareham, MA

Subject: Consistency letter for the 'Woodland Cove, Cranberry Highway, Wareham, MA' project indicating that any take of the northern long-eared bat that may occur as a result of the Action is not prohibited under the ESA Section 4(d) rule adopted for this species at 50 CFR §17.40(o).

Dear Robert Tyler:

The U.S. Fish and Wildlife Service (Service) received on March 25, 2022 your effects determination for the 'Woodland Cove, Cranberry Highway, Wareham, MA' (the Action) using the northern long-eared bat (*Myotis septentrionalis*) key within the Information for Planning and Consultation (IPaC) system. You indicated that no Federal agencies are involved in funding or authorizing this Action. This IPaC key assists users in determining whether a non-Federal action may cause "take"^[1] of the northern long-eared bat that is prohibited under the Endangered Species Act of 1973 (ESA) (87 Stat.884, as amended; 16 U.S.C. 1531 et seq.).

Based upon your IPaC submission, any take of the northern long-eared bat that may occur as a result of the Action is not prohibited under the ESA Section 4(d) rule adopted for this species at 50 CFR §17.40(o). Unless the Service advises you within 30 days of the date of this letter that your IPaC-assisted determination was incorrect, this letter verifies that the Action is not likely to result in unauthorized take of the northern long-eared bat.

Please report to our office any changes to the information about the Action that you entered into IPaC, the results of any bat surveys conducted in the Action area, and any dead, injured, or sick northern long-eared bats that are found during Action implementation.

If your Action proceeds as described and no additional information about the Action's effects on species protected under the ESA becomes available, no further coordination with the Service is required with respect to the northern long-eared bat.

The IPaC-assisted determination for the northern long-eared bat **does not** apply to the following ESA-protected species that also may occur in your Action area:

- Monarch Butterfly *Danaus plexippus* Candidate

You may coordinate with our Office to determine whether the Action may cause prohibited take of the animal species listed above.

[1]Take means to harass, harm, pursue, hunt, shoot, wound, kill, trap, capture, or collect, or to attempt to engage in any such conduct [ESA Section 3(19)].
