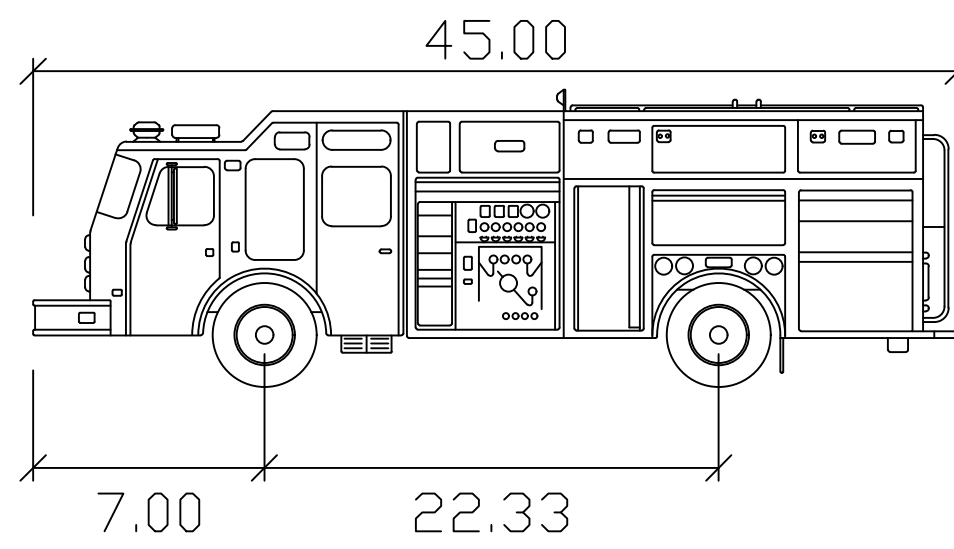
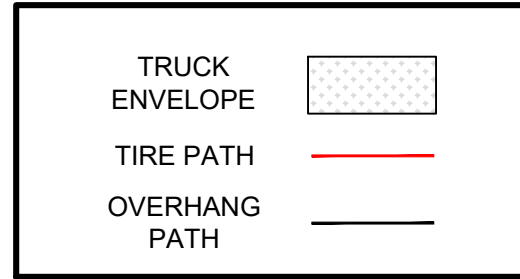
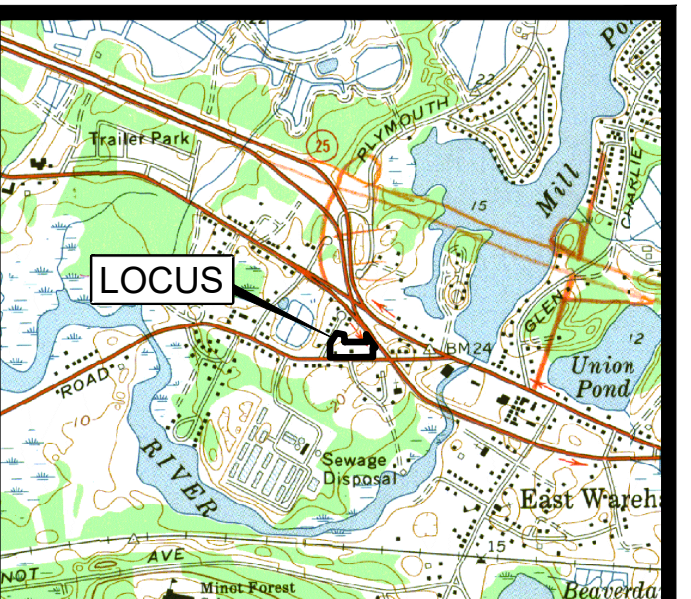
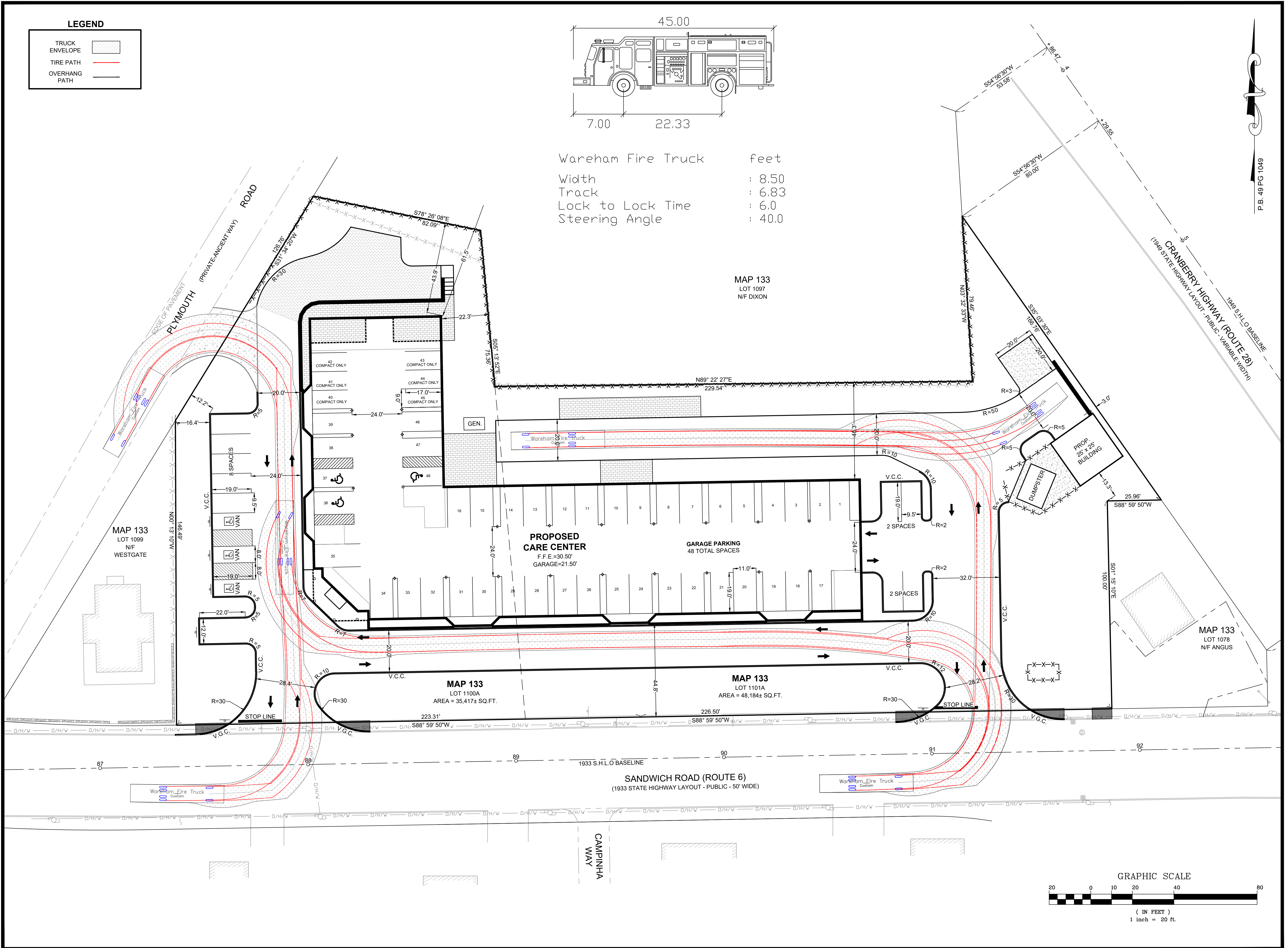


LEGEND



Wareham Fire Truck feet
 Width : 8.50
 Track : 6.83
 Lock to Lock Time : 6.0
 Steering Angle : 40.0



LOCUS MAP
 SCALE 1" = 2000'

JOHN L. CHURCHILL JR., P.L.S. DATE

JOHN L. CHURCHILL JR., P.E. DATE

CROSSROADS CARE CENTER
 AT
 238 & 240 SANDWICH ROAD
 (ROUTE 6)
 IN
 WAREHAM,
 MASSACHUSETTS
 (PLYMOUTH COUNTY)

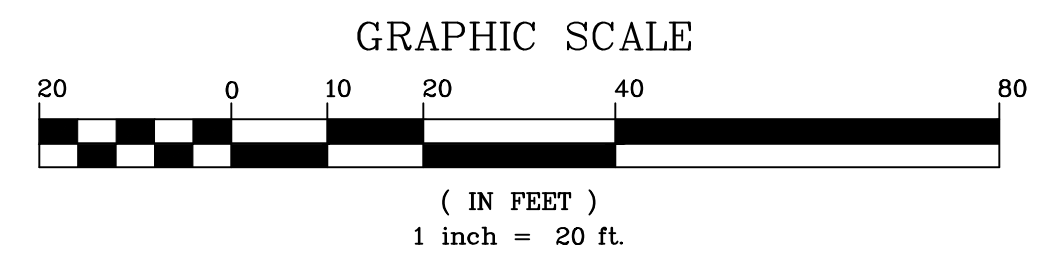
EMERGENCY ACCESS PLAN

REVISIONS:

No.	DATE	DESC.

PREPARED FOR:
 F.C. MANNIX
 P.O. BOX 85
 BOSTON, MA 02113

PREPARED BY:
 JC ENGINEERING, INC.
 2854 CRANBERRY HIGHWAY
 EAST WAREHAM, MA 02538
 508-273-0377



DATE: MAY 25, 2021

CALC./DESIGN: BJW

DRAWN: BJW

CHECK: JLC

JOB NO: 435