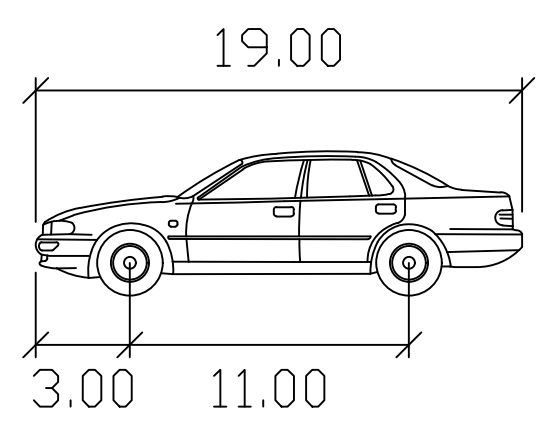
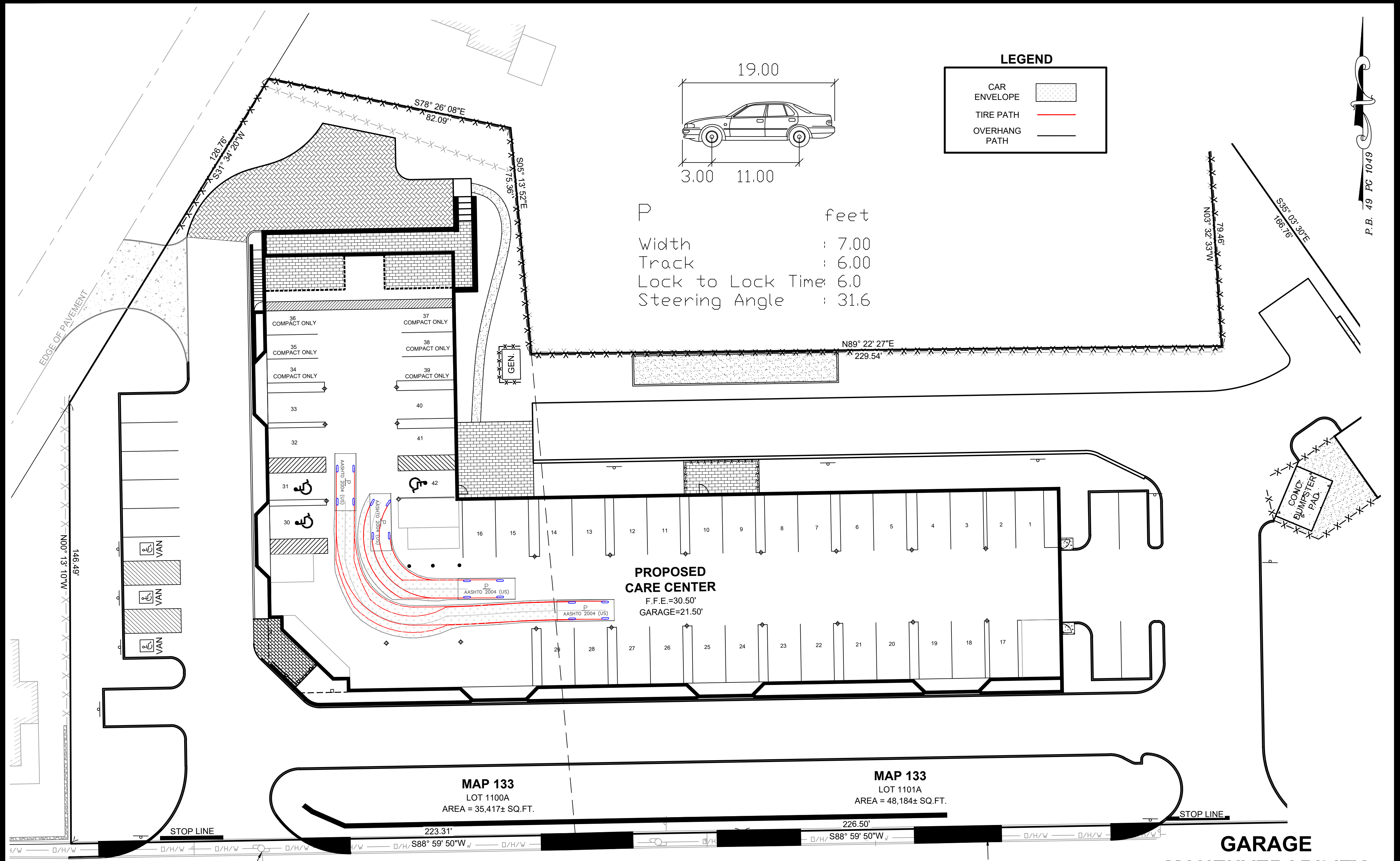


LEGEND

| | |
|---------------|--|
| CAR ENVELOPE | |
| TIRE PATH | |
| OVERHANG PATH | |



P feet
 Width : 7.00
 Track : 6.00
 Lock to Lock Time: 6.0
 Steering Angle : 31.6



PROPOSED CARE CENTER
 F.F.E.=30.50'
 GARAGE=21.50'

MAP 133
 LOT 1100A
 AREA = 35,417± SQ.FT.

MAP 133
 LOT 1101A
 AREA = 48,184± SQ.FT.

GARAGE MANEUVERABILITY SKETCH PLAN

AT
 238 & 240 SANDWICH ROAD
 (ROUTE 6)
 IN
 WAREHAM,
 MASSACHUSETTS
 (PLYMOUTH COUNTY)

DATE: OCTOBER 25, 2021

