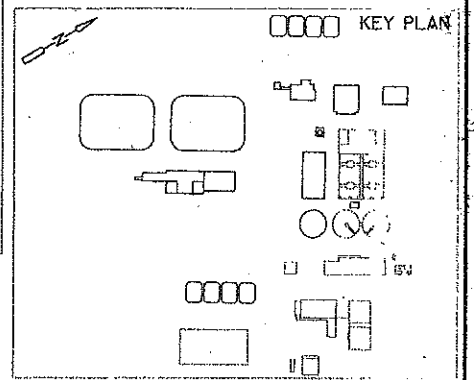
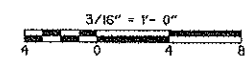


PLAN
3/16" = 1'-0"



DESIGNED BY:	B. HICKEY
DRAWN BY:	P. SZAWLOWSKI
CHECKED BY:	B. HICKEY

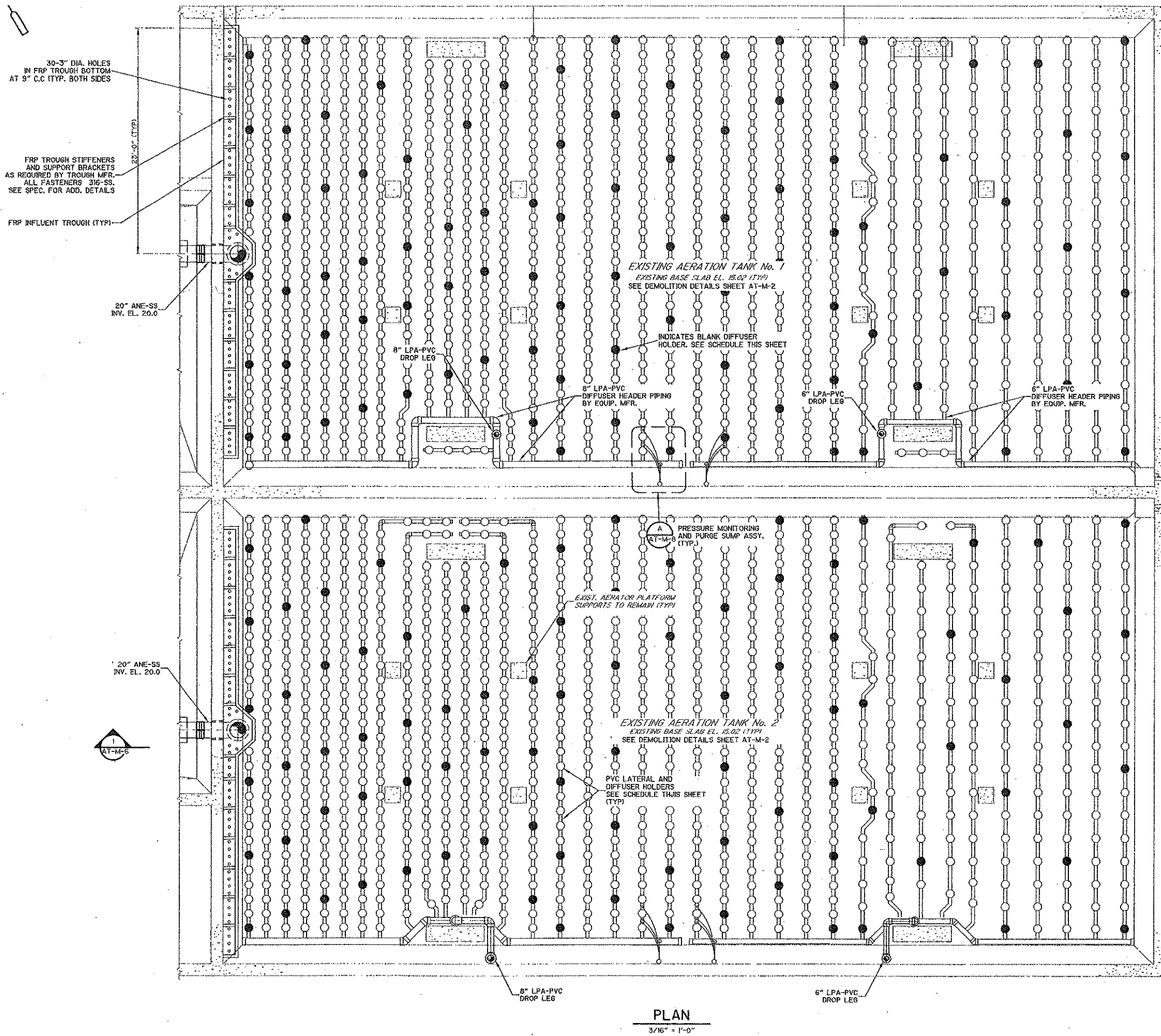
CDM Camp Dresser & McKee Inc.

TOWN OF WAREHAM, MASSACHUSETTS
WASTEWATER SYSTEM IMPROVEMENTS

EXISTING AERATION TANKS

NOT FOR CONSTRUCTION

PROJECT NO. 0657 30966
FILE NAME: MECHMATPI 003



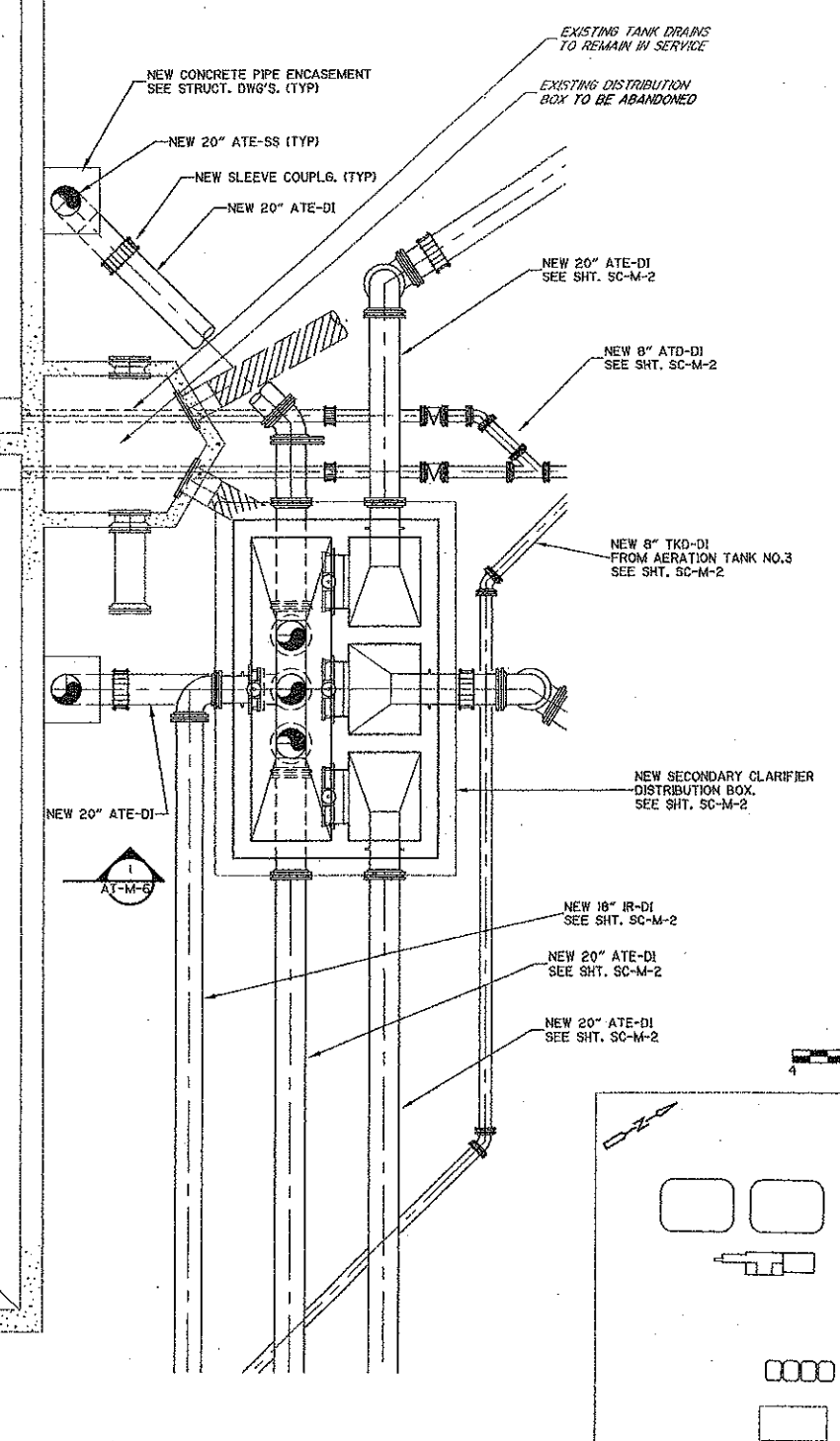
DIFFUSER SCHEDULE

TANK SECTION	No. OF DIFFUSERS	No. OF BLANKS	TOTAL HOLDERS	LATERAL SPACING	HOLDER SPACING
FIRST THIRD	379	38	417	2'-0"	1'-6"
SECOND THIRD	281	38	319	3'-0"	1'-6"
FINAL THIRD	160	20	180	3'-0"	2'-6"
	820	114	934		

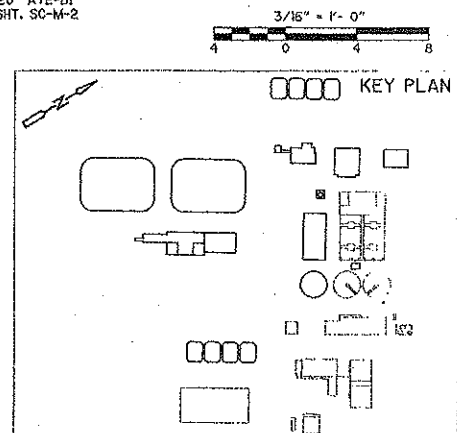
** COORD. EXACT DIMENSION WITH MANUFACTURER OF APPROVED EQUIPMENT.

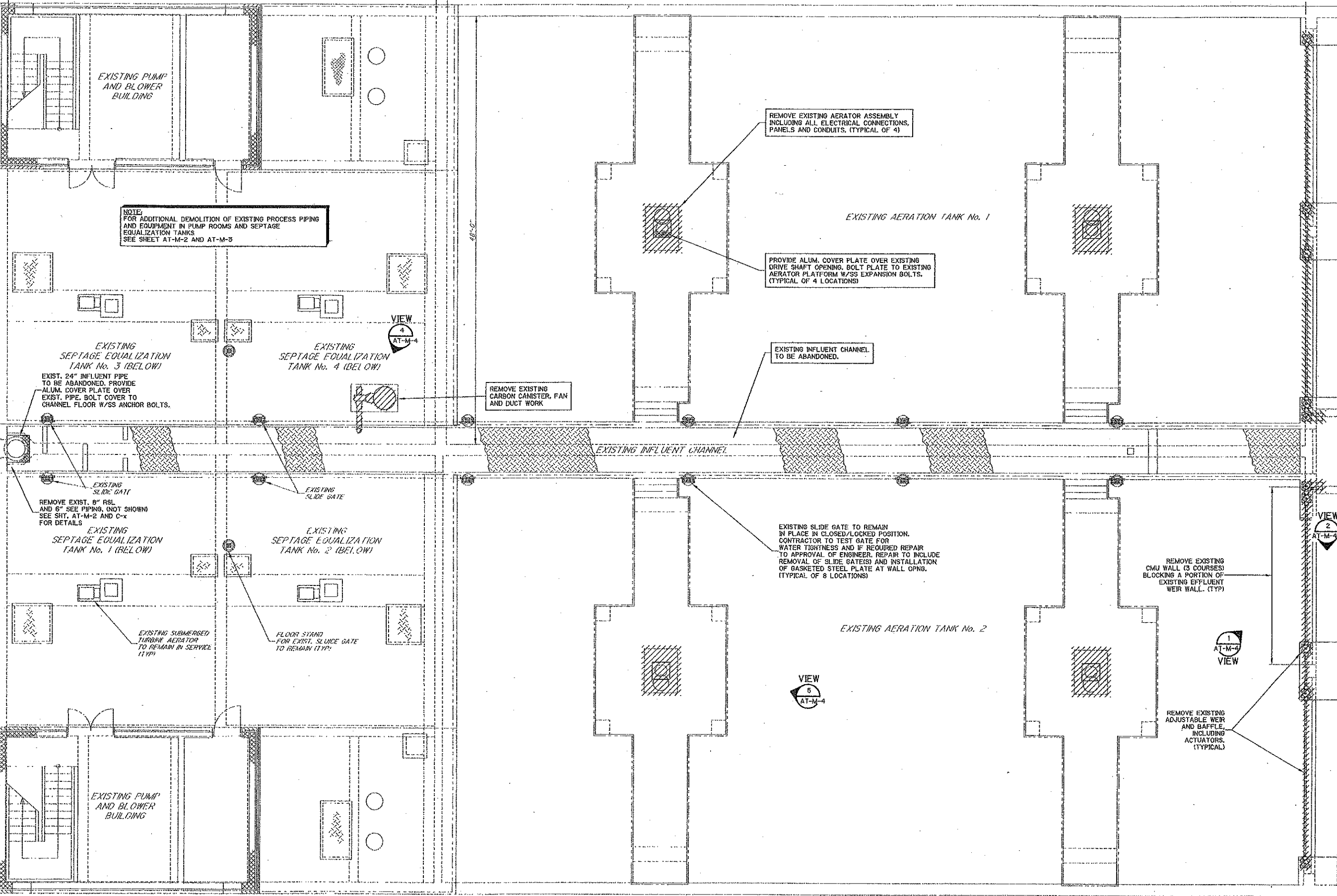
DIFFUSER DROP LEGS

TANK SURFACE AREA	DIFFUSER DROPLEG PIPE SIZE
FIRST 50x	8"
SECOND 50x	6"

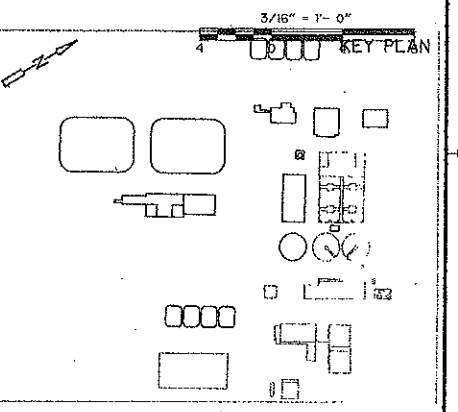
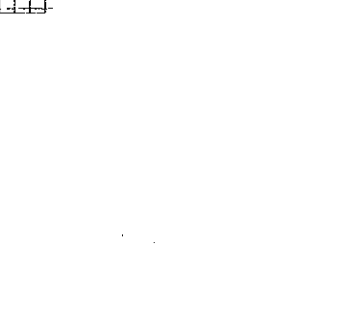
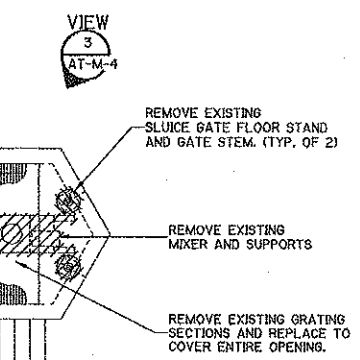


PLAN
3/16" = 1'-0"





- DIMENSIONS AND LOCATIONS OF EXISTING EQUIPMENT, APPURTENANCES AND STRUCTURES HAVE BEEN OBTAINED FROM EXISTING CONTRACT DRAWINGS PRODUCED BY:
 FAY, SPOFFORD & THORNOYKE, INC. TITLED "NEW SEWAGE WORKS - CONTRACT No.1 SEWAGE TREATMENT PLANT" DATED MARCH 1970.
 METCALF & EDDY, INC. TITLED "ADDITIONS AND MODIFICATIONS TO WATER POLLUTION CONTROL FACILITY" DATED, NOVEMBER 1979.
 METCALF & EDDY, INC. TITLED "ADDITIONS AND MODIFICATIONS TO WATER POLLUTION CONTROL FACILITY" DATED, SEPTEMBER 1989.
 ADDITIONAL INFORMATION WAS OBTAINED BY CDM THROUGH FIELD SURVEYS.
- CERTAIN EXISTING EQUIPMENT AND STRUCTURES NOT DIRECTLY RELATED TO THE WORK PERFORMED UNDER THIS CONTRACT HAVE BEEN OMITTED FOR CLARITY.



PLAN
3/16" = 1'-0"

Progress Plot
Oct 11, 2001 - 1:33pm

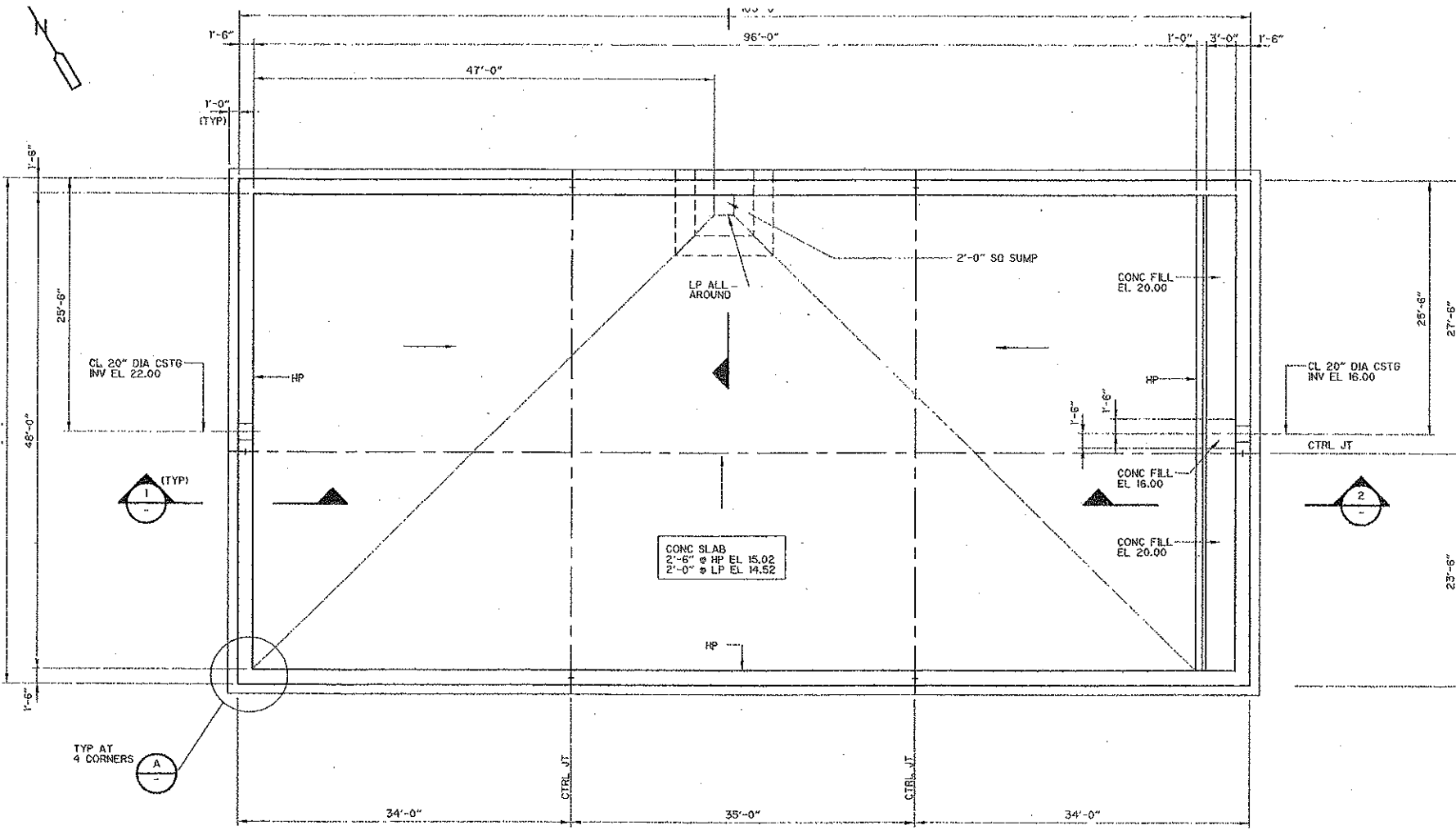
DESIGNED BY:	B. HICKEY
DRAWN BY:	P. SZAWLOWSKI

CDM Camp Dresser & McKee Inc.

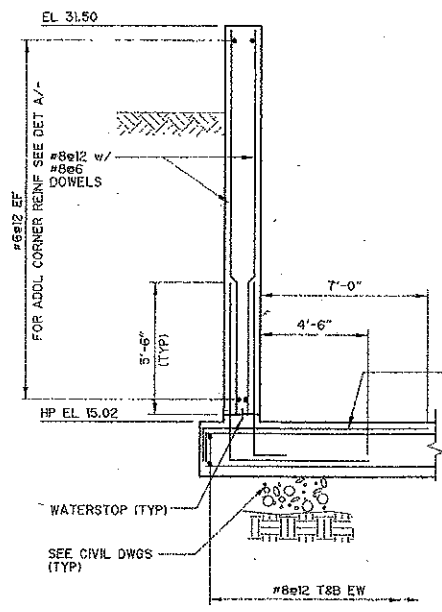
TOWN OF WAREHAM, MASSACHUSETTS
WASTEWATER SYSTEM IMPROVEMENTS

EXISTING AERATION TANKS AND

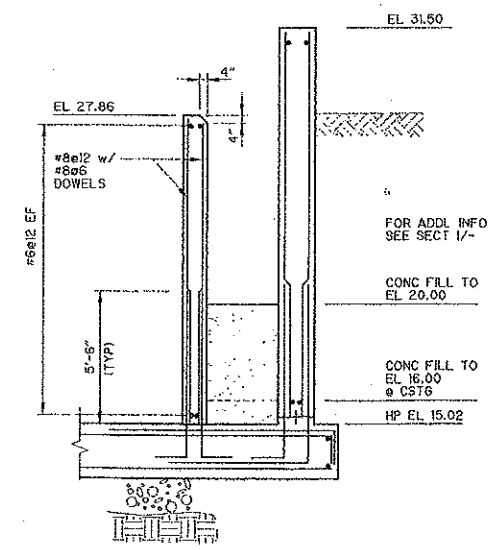
NOT FOR CONSTRUCTION
PROJECT NO. 0657-30988
FILE NAME: WEGH\MATPL.D01



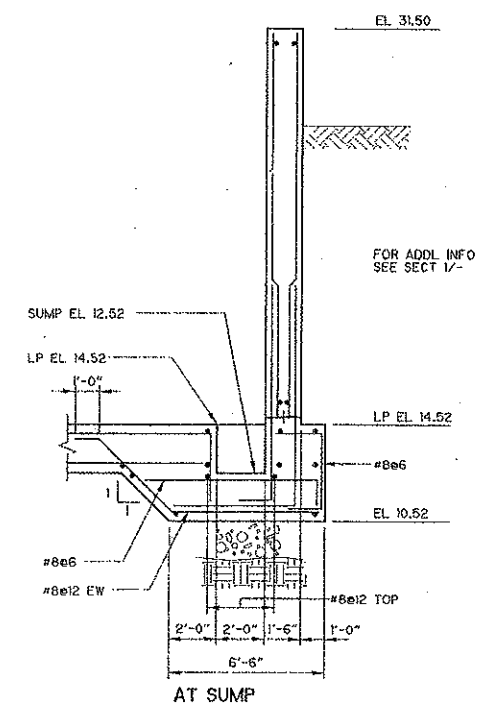
PLAN
1/8" = 1'-0"



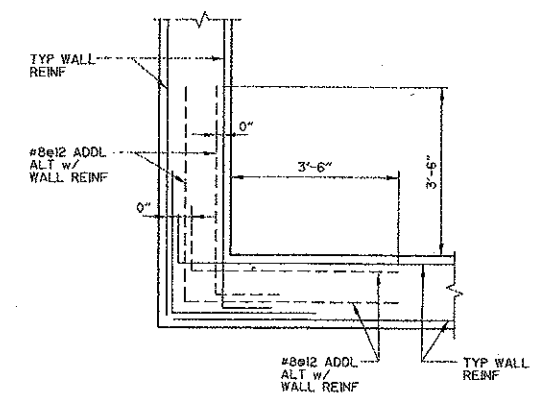
TYPICAL EXTERIOR WALL
SECTION 1
1/4" = 1'-0"



SECTION 2
1/4" = 1'-0"

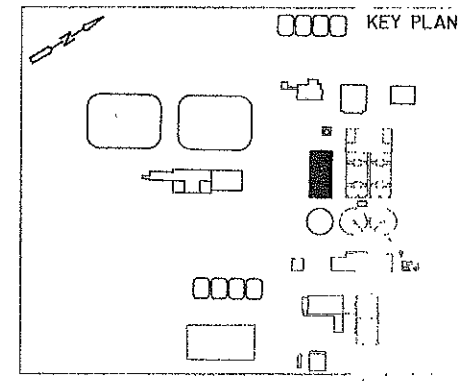
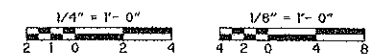


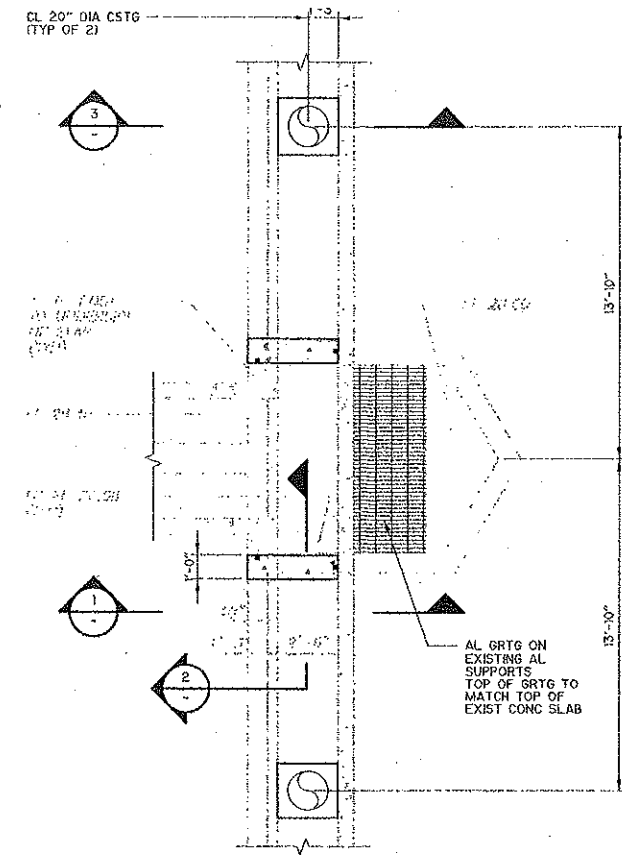
SECTION 3
1/4" = 1'-0"



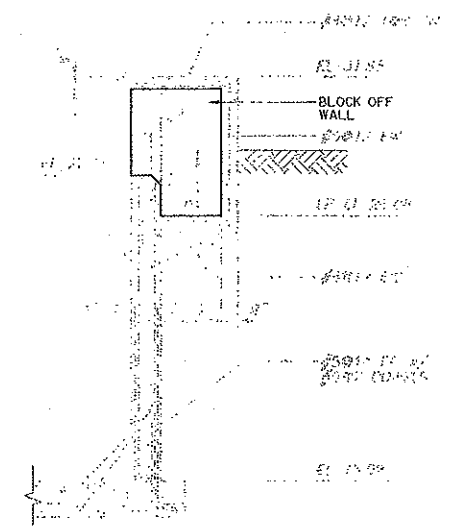
NOTES:
1. TYPICAL WALL REINFORCING AND ADDED BARS TO BE IN SAME PLANE.
2. VERTICAL REINFORCING NOT SHOWN FOR CLARITY.

ADDITIONAL REINFORCING AT CORNERS
DETAIL A
NTS

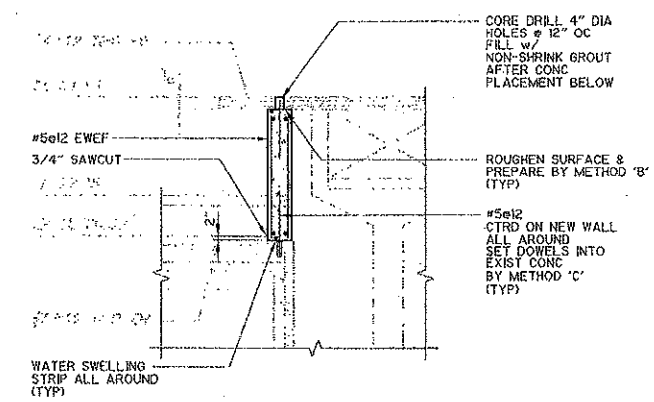




PARTIAL AT EL 28.60
PLAN
1/4" = 1'-0"

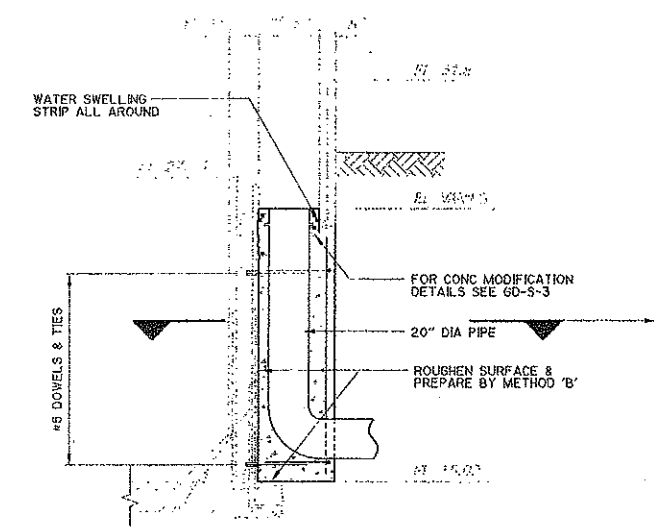


ELEVATION OF BLOCK OFF WALL
SECTION 1
1/4" = 1'-0"



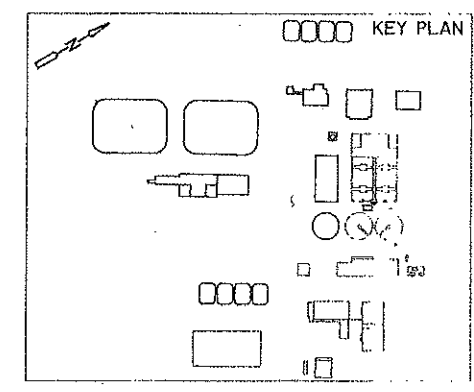
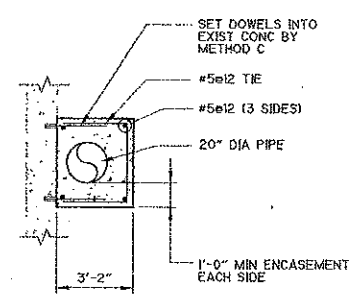
SEE "MODIFICATION AND REPAIR TO CONCRETE NOTES" ON 6D-S-3

THRU BLOCK OFF WALL
SECTION 2
1/4" = 1'-0"



- NOTES:
1. FOR ADDL INFO SEE SECT 1/-
2. SEE "MODIFICATION AND REPAIR TO CONCRETE NOTES" ON 6D-S-3

SECTION 3
1/4" = 1'-0"



1/4" = 1'-0"
2 1 0 2 4

NOT FOR CONSTRUCTION