

DETAIL 3

DETAIL 2

DETAIL 1

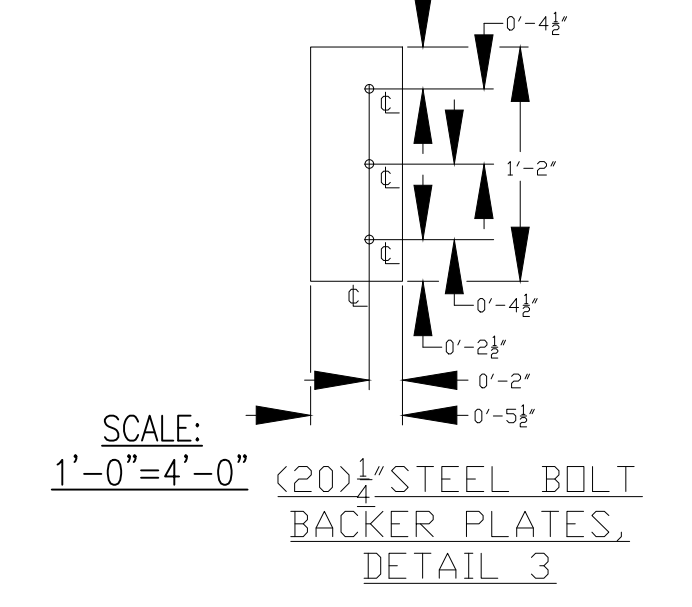
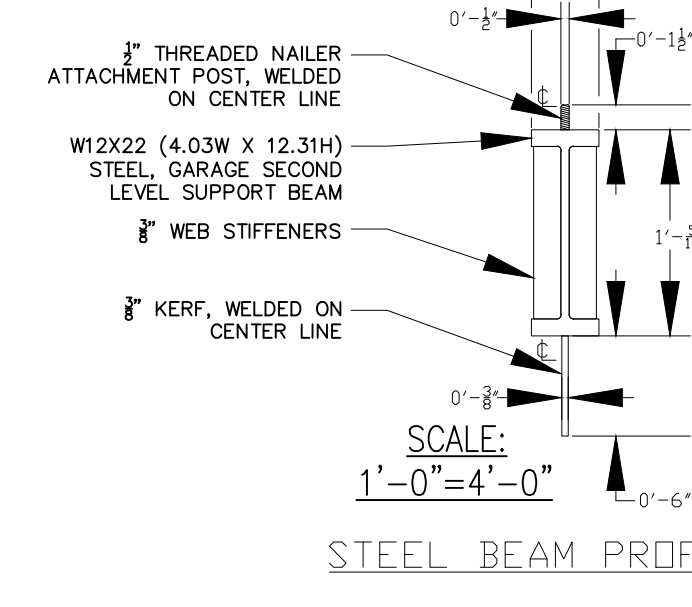
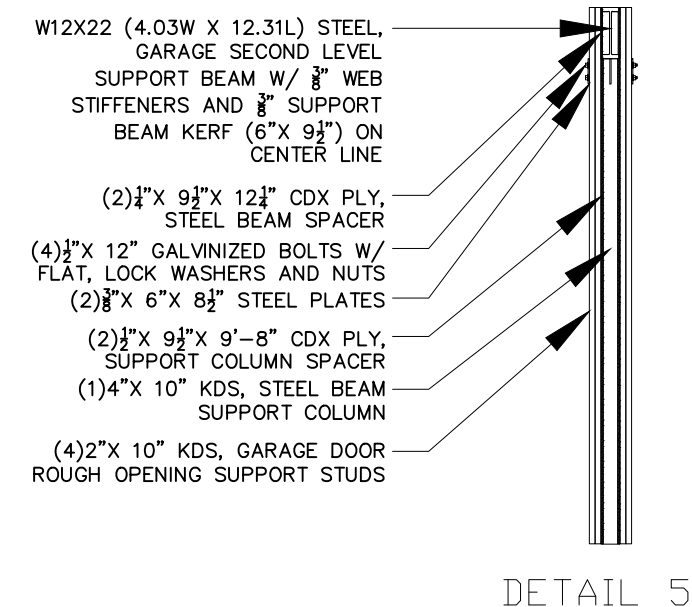
STEEL BEAM DETAILS

DETAIL 4

DETAIL 3

DETAIL 2

DETAIL 5



REVISION HISTORY	

This drawing is for REFERENCE ONLY. All dimensions and equipment locations must be field verified.

PROJECT: 26 HIGHLAND RD NEW HOME
 DRAWING TITLE: LEVEL 2 FRAMING PLAN DIMENSIONS & DETAILS
 PROJECT NUMBER: 1
 SCALE: 9'-0"=20' NTS
 SHEET NUMBER: AL2.2