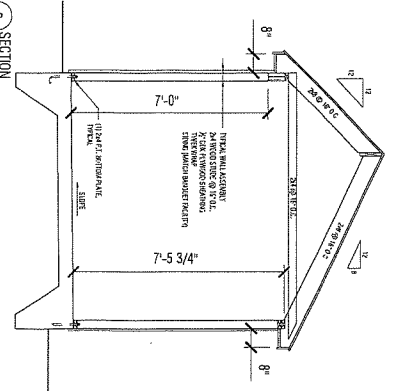
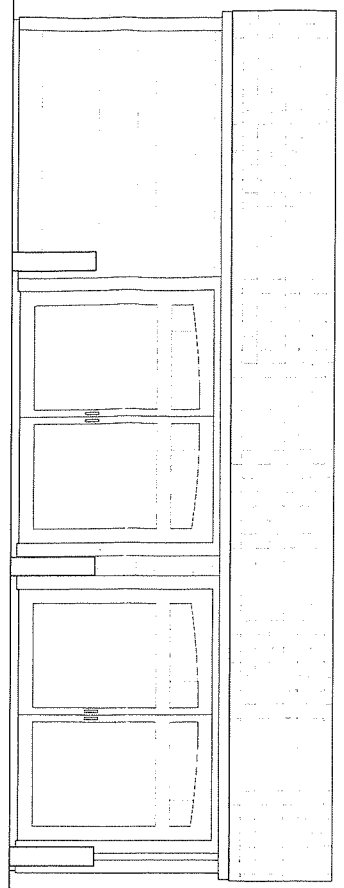


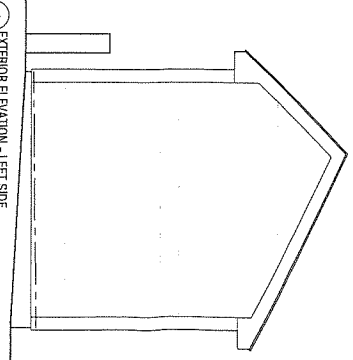
1 FLOOR PLAN
1/8" = 1'-0"



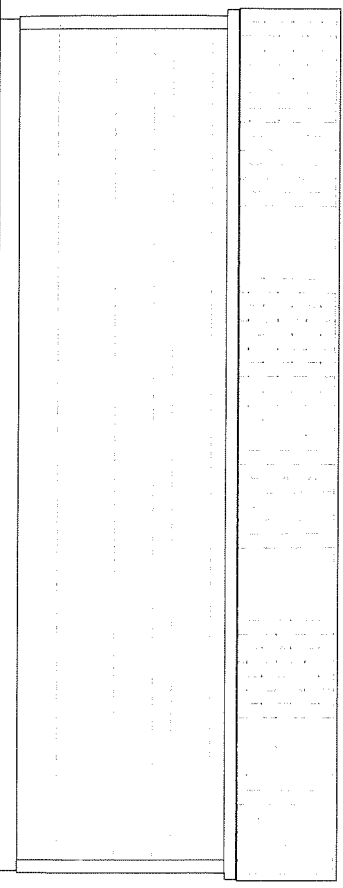
2 SECTION
1/8" = 1'-0"



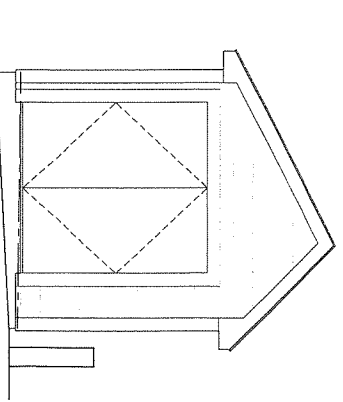
3 EXTERIOR ELEVATION - FRONT
1/8" = 1'-0"



4 EXTERIOR ELEVATION - LEFT SIDE
1/8" = 1'-0"



5 EXTERIOR ELEVATION - REAR
1/8" = 1'-0"



6 EXTERIOR ELEVATION - RIGHT SIDE
1/8" = 1'-0"

SHEET TITLE FLOOR PLAN, EXT ELEVATIONS & SECTION		PROJECT NAME AND ADDRESS DANNY WARREN - DUMPSTER ENCLOSURE 59 MAIN STREET WAREHAM, MA
ORIGINAL DATE NAME DATE	REVISION DATE NAME DATE	
SCALE A1.00		PROJECT NO. 02346
DRAWN BY ASAP		CHECKED BY ASAP
DATE 08-28-2003		PROJECT NO. 02346

ASAP Engineering & Design Co., Inc.
 Suite Three - 155 East Grove Street - Route 28
 Middleborough, MA 02346
 Telephone 508-946-3561 - Fax 508-946-1653