

Scale: 1 inch= 30 Ft.



Prepared For:
Holbrook Associated
35 Reservoir Park Drive
Rockland, MA 02370
Tel: 781-871-0011

Job Name:
Waterfront Restaurant
Wareham, MA
Lighting Layout
Version A

Scale: as noted Project #: 187167

Date: 1/7/2022 CASE #: 00782139

Filename: Warren QOZB LLC Waterfront Restaurant Layout 00782139A.AGI

Drawn By: Margaret Koenig

The Lighting Analysis, ezLayout, Energy Analysis and/or Visual Simulation ("Lighting Design") provided by the RAB Lighting Inc. ("RAB") represent an anticipated prediction of lighting system performance based upon design parameters and information supplied by others. These design parameters and information provided by others have not been field verified by RAB and therefore actual measured results may vary from the actual field conditions. RAB recommends that design parameters and other information be field verified to reduce variation.

RAB neither warrants, either implied or stated with regard to actual measured light levels or energy consumption levels as compared to those illustrated by the Lighting Design. RAB neither warrants, either implied or stated, nor represents the appropriateness, completeness or suitability of the Lighting Design intent as compliant with any applicable regulatory code requirements with the exception of those specifically stated on drawings created and submitted by RAB. The Lighting design is issued, in whole or in part, as advisory documents for informational purposes and is not intended for construction nor as being part of a project's construction documentation package.

Filename: Z:\Job Files\Holbrook Associated\Holbrook Associated 101064\Warren QOZB, LLC Waterfront Restaurant\Working Files\AGI\Warren QOZB LLC Waterfront Restaurant Layout 00782139A.AGI

Calculation Summary											
Label	CalcType	Units	Avg	Max	Min	Avg/Min	Max/Min	Description	PtSpcLr	PtSpcTb	Meter Type
Site	Illuminance	Fc	1.32	4.1	0.0	N.A.	N.A.	Readings taken at 0'0" AFG	10	10	Horizontal
Parking Lot	Illuminance	Fc	1.81	3.7	0.5	3.62	7.40	Readings taken at 0'0" AFG			

Luminaire Schedule						
All quotes/orders generated from this layout must be forwarded to the Local Rep Agency						
Symbol	Qty	Tag	Label	Arrangement	LLF	Description
	8	A	ALED5T78N-D10	SINGLE	1.000	Pole Mounted (Type V)

Expanded Luminaire Location Summary						
LumNo	Tag	X	Y	MTG HT	Orient	Tilt
1	A	186.685	122.695	16	90	0
2	A	291.513	182.466	16	266.79	0
3	A	267.563	118.823	16	87.404	0
4	A	339.757	112.948	16	84.994	0
5	A	413.858	104.176	16	83.578	0
6	A	479.799	100.265	16	82.636	0
7	A	208.987	186.888	16	266.79	0
8	A	372.067	175.369	16	266.79	0
Total Quantity: 8						



Plan View



Iso View

- NOTES:
- * The light loss factor (LLF) is a product of many variables, only lamp lumen depreciation (LLD) has been applied to the calculated results unless otherwise noted. The LLD is the result (quotient) of mean lumens / initial lumens per lamp manufacturers' specifications.
 - * Illumination values shown (in footcandles) are the predicted results for planes of calculation either horizontal, vertical or inclined as designated in the calculation summary. Meter orientation is normal to the plane of calculation.
 - * The calculated results of this lighting simulation represent an anticipated prediction of system performance. Actual measured results may vary from the anticipated performance and are subject to means and methods which are beyond the control of RAB Lighting Inc.
 - * Mounting height determination is job site specific, our lighting simulations assume a mounting height (insertion point of the luminaire symbol) to be taken at the top of the symbol for ceiling mounted luminaires and at the bottom of the symbol for all other luminaire mounting configurations.
 - * It is the Owner's responsibility to confirm the suitability of the existing or proposed poles and bases to support the proposed fixtures, based on the weight and EPA of the proposed fixtures and the owner's site soil conditions and wind zone. It is recommended that a professional engineer licensed to practice in the state the site is located be engaged to assist in this determination.
 - * The landscape material shown hereon is conceptual, and is not intended to be an accurate representation of any particular plant, shrub, bush, or tree, as these materials are living objects, and subject to constant change. The conceptual objects shown are for illustrative purposes only. The actual illumination values measured in the field will vary.
 - * Photometric model elements such as buildings, rooms, plants, furnishings or any architectural details which impact the dispersion of light must be detailed by the customer documents for inclusion in the RAB lighting design model. RAB is not responsible for any inaccuracies caused by incomplete information on the part of the customer, and reserves the right to use best judgement when translating customer requests into photometric studies.
 - * RAB Lighting Inc. luminaire and product designs are protected under U.S. and International intellectual property laws. Patents issued or pending apply.



Prepared For:
 Holbrook Associated
 35 Reservoir Park Drive
 Rockland, MA 02370
 Tel: 781-871-0011

Job Name:
 Waterfront Restaurant
 Wareham, MA
 Lighting Layout
 Version A

Scale: as noted
 Date: 1/7/2022
 Project #: 187167
 CASE #: 00782139
 Filename: Warren QOZB LLC Waterfront Restaurant Layout 00782139A.AGI
 Drawn By: Margaret Koenig

The Lighting Analysis, ezLayout, Energy Analysis and/or Visual Simulation ("Lighting Design") provided by the RAB Lighting Inc. ("RAB") represent an anticipated prediction of lighting system performance based upon design parameters and information supplied by others. These design parameters and information provided by others have not been field verified by RAB and therefore actual measured results may vary from the actual field conditions. RAB recommends that design parameters and other information be field verified to reduce variation.

RAB neither warrants, either implied or stated with regard to actual measured light levels or energy consumption levels as compared to those illustrated by the Lighting Design. RAB neither warrants, either implied or stated, nor represents the appropriateness, completeness or suitability of the Lighting Design intent as compliant with any applicable regulatory code requirements with the exception of those specifically stated on drawings created and submitted by RAB. The Lighting design is issued, in whole or in part, as advisory documents for informational purposes and is not intended for construction nor as being part of a project's construction documentation package.



High output LED pole top area light with IES type V circular distribution. Wide and uniform 360 degree pattern ideal for large outdoor areas such as parking lots, corporate parks, and retail settings.

Color: Bronze

Weight: 21.8 lbs

Project:

Type:

Prepared By:

Date:

Driver Info

Type	Constant Current
120V	0.68A
208V	0.39A
240V	0.34A
277V	0.30A
Input Watts	80.2W

LED Info

Watts	78W
Color Temp	4000K (Neutral)
Color Accuracy	70 CRI
L70 Lifespan	100,000 Hours
Lumens	10,127
Efficacy	126.3 lm/W

Technical Specifications

Compliance

UL Listed:

Suitable for wet locations

IESNA LM-79 & IESNA LM-80 Testing:

RAB LED luminaires and LED components have been tested by an independent laboratory in accordance with IESNA LM-79 and LM-80.

DLC Listed:

This product is on the Design Lights Consortium (DLC) Qualified Products List and is eligible for rebates from DLC Member Utilities. Designed to meet DLC 5.1 requirements.

DLC Product Code: PCKB7H58

Electrical

Drivers:

Constant Current, Class 2 with 6kV surge protection, 120-277VAC, 50/60 Hz, 120V: 0.68A, 208V: 0.39A, 240V: 0.34A, 277V: 0.30A

Dimming Driver:

Driver includes dimming control wiring for 0-10V dimming systems. Requires separate 0-10V DC dimming circuit. Dims down to 10%. [See dimmer compatibility guide here.](#)

THD:

2.03% at 120V, 8.75% at 277V

Power Factor:

99.9% at 120V, 96.4% at 277V

LED Characteristics

LEDs:

6x13W high-output, long-life LEDs

Color Consistency:

3-step MacAdam Ellipse binning to achieve consistent fixture-to-fixture color

Color Stability:

LED color temperature is warranted to shift no more than 200K in color temperature over a 5-year period

Color Uniformity:

RAB's range of Correlated Color Temperature follows the guidelines of the American National Standard for Specifications for the Chromaticity of Solid State Lighting (SSL) Products, ANSI C78.377-2017.

Performance

Lifespan:

100,000-Hour LED lifespan based on IES LM-80 results and TM-21 calculations

Construction

IP Rating:

Ingress protection rating of IP66 for dust and water

Cold Weather Starting:

Minimum starting temperature is -40°C (-40°F)

Technical Specifications (continued)

Construction

Maximum Ambient Temperature:

Suitable for use in up to 40°C (104°F)

Effective Projected Area:

EPA = 1.2

Thermal Management:

Superior thermal management with external air-flow fins

Housing:

Precision die-cast aluminum, Type V distribution

Support Arms:

Extruded aluminum

Lens:

Clear tempered glass lens

Reflector:

Specular vacuum-metallized polycarbonate, Type V distribution

Gaskets:

High-temperature silicone

Finish:

Formulated for high durability and long-lasting color

Green Technology:

Mercury and UV free. RoHS-compliant components.

Optical

BUG Rating:

B3 U0 G2

Other

Equivalency:

Equivalent to 250W Metal Halide

Patents:

The designs of the ALED5T78 are protected by patents pending in US, Canada, China, Taiwan and Mexico

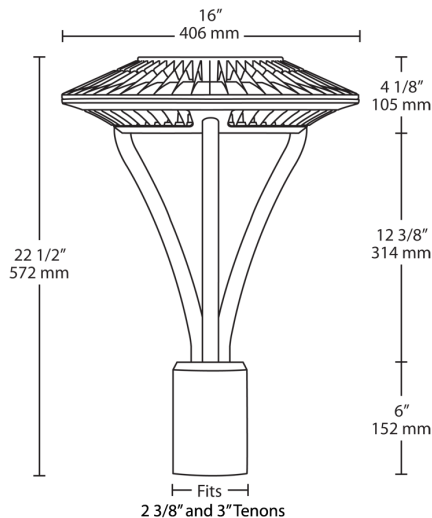
Warranty:

RAB warrants that our LED products will be free from defects in materials and workmanship for a period of five (5) years from the date of delivery to the end user, including coverage of light output, color stability, driver performance and fixture finish. RAB's warranty is subject to all terms and conditions found at rablighting.com/warranty.

Buy American Act Compliance:

RAB values USA manufacturing! Upon request, RAB may be able to manufacture this product to be compliant with the Buy American Act (BAA). Please contact customer service to request a quote for the product to be made BAA compliant.

Dimensions



Features

- IES type V (circular) distribution
- 100,000-hour LED lifespan
- Compatible with standard 2 3/8" and 3" tenons
- "Air-Flow" fins for maximum heat dissipation
- 5-Year, No-Compromise Warranty

Ordering Matrix

Family	Distribution	Wattage	Color Temp	Finish	Driver Option	Options	Other Options
ALED	5T	78	N		/D10		
	5T = Type V	26 = 26W 52 = 52W 78 = 78W	Blank = 5000K Cool N = 4000K Neutral Y = 3000K Warm	Blank = Bronze W = White K = Black RG = Gray	Blank = 120-277V /D10 = Dimmable /BL = Bi-Level /480 = 480V /480/D10 = 480V w/ Dimmable	Blank = No Option /LC = Lightcloud® Controller /PCT = 120-277V Twistlock Photocell /PCT4 = 480V Twistlock Photocell	Blank = Standard USA = BAA Compliant



Square steel poles drilled for 2 Area Lights at 180°. Designed for ground mounting. Poles are stocked nationwide for quick shipment. Protective packaging ensures poles arrive at the job site good as new.

Color: Bronze

Weight: 105.8 lbs

Project:	Type:
Prepared By:	Date:

Technical Specifications

Listings

CSA Listed:

Suitable for wet locations

Construction

Shaft:

46,000 p.s.i. minimum yield.

Hand Holes:

Reinforced with grounding lug and removable cover

Base Plates:

Slotted base plates 36,000 p.s.i.

Shipping Protection:

All poles are shipped in individual corrugated cartons to prevent finish damage

Color:

Bronze powder coating

Height:

15 FT

Weight:

106 lbs

Gauge:

11

Wall Thickness:

1/8"

Shaft Size:

4"

Hand Hole Dimensions:

3" x 5"

Bolt Circle:

8 1/2"

Base Dimension:

8"

Anchor Bolt:

Galvanized anchor bolts and galvanized hardware and anchor bolt template. All bolts have a 3" hook.

Anchor Bolt Templates:

WARNING Template must be printed on 11" x 17" sheet for actual size. CHECK SCALE BEFORE USING. Templates shipped with anchor bolts and available [online](#).

Pre-Shipped Anchor Bolts:

Bolts can be pre-shipped upon request for additional freight charge

Max EPA's/Max Weights:

70MPH 14.0 ft./400 lb.
 80MPH 10.2 ft./295 lb.
 90MPH 7.6 ft./220 lb.
 100MPH 5.6 ft./165 lb.
 110MPH 4.2 ft./125 lb.
 120MPH 3.0 ft./95 lb.
 130MPH 2.1 ft./70 lb.
 140MPH 1.4 ft./50 lb.
 150MPH 0.8 ft./35 lb..

Other

Terms of Sale:

Pole Terms of Sale is available [online](#).

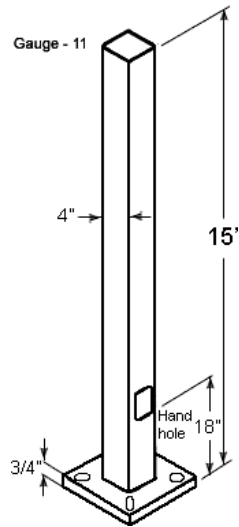
Technical Specifications (continued)

Other

Buy American Act Compliance:

RAB values USA manufacturing! Upon request, RAB may be able to manufacture this product to be compliant with the Buy American Act (BAA). Please contact customer service to request a quote for the product to be made BAA compliant.

Dimensions



Features

- Designed for ground mounting
- Heavy duty TGIC polyester coating
- Reinforced hand holes with grounding lug and removable cover for easy wiring access
- Anchor Bolt Kit includes pole cap and base cover (sold separately)
- Custom manufactured for each application