

Scale: 1 inch= 30 Ft.



Prepared For:  
Holbrook Associated  
35 Reservoir Park Drive  
Rockland, MA 02370  
Tel: 781-871-0011

Job Name:  
Waterfront Restaurant  
Wareham, MA  
Lighting Layout  
Version B

Scale: as noted

Project #: 187167

Date: 2/16/2022

CASE #: 00810849

Filename: Warren QOZB LLC Waterfront Restaurant Layout 00810849B.AGI

Drawn By: Margaret Koenig

The Lighting Analysis, ezLayout, Energy Analysis and/or Visual Simulation ("Lighting Design") provided by the RAB Lighting Inc. ("RAB") represent an anticipated prediction of lighting system performance based upon design parameters and information supplied by others. These design parameters and information provided by others have not been field verified by RAB and therefore actual measured results may vary from the actual field conditions. RAB recommends that design parameters and other information be field verified to reduce variation.

RAB neither warrants, either implied or stated with regard to actual measured light levels or energy consumption levels as compared to those illustrated by the Lighting Design. RAB neither warrants, either implied or stated, nor represents the appropriateness, completeness or suitability of the Lighting Design intent as compliant with any applicable regulatory code requirements with the exception of those specifically stated on drawings created and submitted by RAB. The Lighting design is issued, in whole or in part, as advisory documents for informational purposes and is not intended for construction nor as being part of a project's construction documentation package.

Filename: Z:\Job Files\Holbrook Associated\Holbrook Associated 101064\Warren QOZB, LLC Waterfront Restaurant\Working Files\AGI\Warren QOZB LLC Waterfront Restaurant Layout 00810849B.AGI

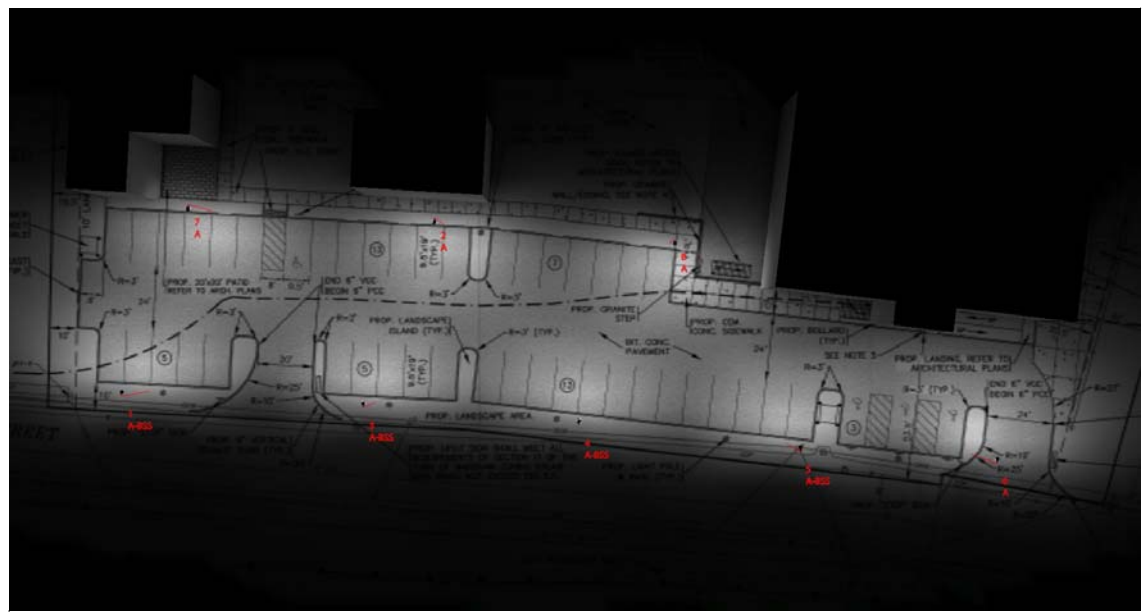


Calculation Summary											
Label	CalcType	Units	Avg	Max	Min	Avg/Min	Max/Min	Description	PtSpcLr	PtSpcTb	Meter Type
Site	Illuminance	Fc	1.28	6.2	0.0	N.A.	N.A.	Readings taken at 0'0" AFG	10	10	Horizontal
Parking Lot	Illuminance	Fc	2.98	6.2	1.0	2.98	6.20	Readings taken at 0'0" AFG			

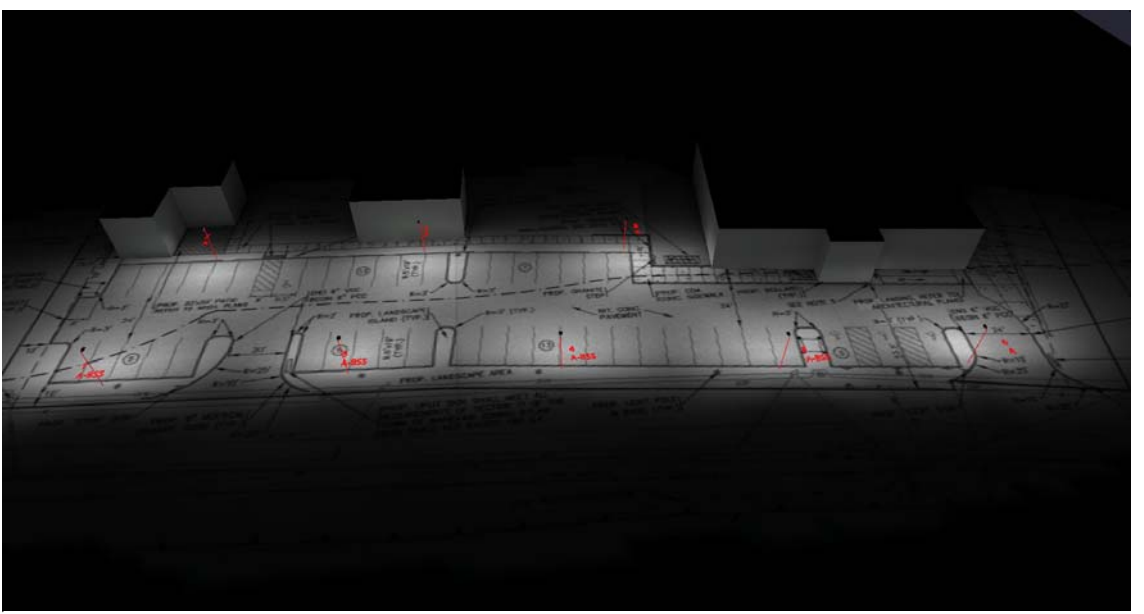
Luminaire Schedule						
All quotes/orders generated from this layout must be forwarded to the Local Rep Agency						
Symbol	Qty	Tag	Label	Arrangement	LLF	Description
	3	A	ALED3T78Y	SINGLE	1.000	Pole Mounted (Type III)
	5	A-BSS	ALED3T78Y-SS-B	SINGLE	1.000	Pole Mounted (Type III) + BACK SIDE SHIELD

Expanded Luminaire Location Summary						
LumNo	Tag	X	Y	MTG HT	Orient	Tilt
1	A-BSS	187.196	124.589	18	90	0
2	A	291.434	180.968	18	267	0
3	A-BSS	268.114	120.675	18	87	0
4	A-BSS	339.888	114.442	18	85	0
5	A-BSS	414.015	106.099	18	84	0
6	A-BSS	479.982	101.754	18	83	0
7	A	208.908	185.39	18	267	0
8	A	371.988	173.871	18	267	0
Total Quantity: 8						

NOTE : Fixtures mounted on a 15' RAB pole with a 3' base provided by others



Plan View



Iso View

- NOTES:
- \* The light loss factor (LLF) is a product of many variables, only lamp lumen depreciation (LLD) has been applied to the calculated results unless otherwise noted. The LLD is the result (quotient) of mean lumens / initial lumens per lamp manufacturers' specifications.
  - \* Illumination values shown (in footcandles) are the predicted results for planes of calculation either horizontal, vertical or inclined as designated in the calculation summary. Meter orientation is normal to the plane of calculation.
  - \* The calculated results of this lighting simulation represent an anticipated prediction of system performance. Actual measured results may vary from the anticipated performance and are subject to means and methods which are beyond the control of RAB Lighting Inc.
  - \* Mounting height determination is job site specific, our lighting simulations assume a mounting height (insertion point of the luminaire symbol) to be taken at the top of the symbol for ceiling mounted luminaires and at the bottom of the symbol for all other luminaire mounting configurations.
  - \* It is the Owner's responsibility to confirm the suitability of the existing or proposed poles and bases to support the proposed fixtures, based on the weight and EPA of the proposed fixtures and the owner's site soil conditions and wind zone. It is recommended that a professional engineer licensed to practice in the state the site is located be engaged to assist in this determination.
  - \* The landscape material shown hereon is conceptual, and is not intended to be an accurate representation of any particular plant, shrub, bush, or tree, as these materials are living objects, and subject to constant change. The conceptual objects shown are for illustrative purposes only. The actual illumination values measured in the field will vary.
  - \* Photometric model elements such as buildings, rooms, plants, furnishings or any architectural details which impact the dispersion of light must be detailed by the customer documents for inclusion in the RAB lighting design model. RAB is not responsible for any inaccuracies caused by incomplete information on the part of the customer, and reserves the right to use best judgement when translating customer requests into photometric studies.
  - \* RAB Lighting Inc. luminaire and product designs are protected under U.S. and International intellectual property laws. Patents issued or pending apply.



Prepared For:  
 Holbrook Associated  
 35 Reservoir Park Drive  
 Rockland, MA 02370  
 Tel: 781-871-0011

Job Name:  
 Waterfront Restaurant  
 Wareham, MA  
 Lighting Layout  
 Version B

Scale: as noted  
 Date: 2/16/2022  
 Project #: 187167  
 CASE #: 00810849  
 Filename: Warren QOZB LLC Waterfront Restaurant Layout 00810849B.AGI  
 Drawn By: Margaret Koenig

The Lighting Analysis, ezLayout, Energy Analysis and/or Visual Simulation ("Lighting Design") provided by the RAB Lighting Inc. ("RAB") represent an anticipated prediction of lighting system performance based upon design parameters and information supplied by others. These design parameters and information provided by others have not been field verified by RAB and therefore actual measured results may vary from the actual field conditions. RAB recommends that design parameters and other information be field verified to reduce variation.

RAB neither warrants, either implied or stated with regard to actual measured light levels or energy consumption levels as compared to those illustrated by the Lighting Design. RAB neither warrants, either implied or stated, nor represents the appropriateness, completeness or suitability of the Lighting Design intent as compliant with any applicable regulatory code requirements with the exception of those specifically stated on drawings created and submitted by RAB. The Lighting design is issued, in whole or in part, as advisory documents for informational purposes and is not intended for construction nor as being part of a project's construction documentation package.



Color: Bronze

Weight: 31.4 lbs

**Project:**

**Type:**

**Prepared By:**

**Date:**

#### Driver Info

Type	Constant Current
120V	0.66A
208V	0.41A
240V	0.35A
277V	0.30A
Input Watts	76.80W

#### LED Info

Watts	78W
Color Temp	3000K (Warm)
Color Accuracy	70 CRI
L70 Lifespan	100,000
Lumens	8,765
Efficacy	114.1 lm/W

## Technical Specifications

### LED Characteristics

#### Lifespan:

100,000-hour LED lifespan based on IES LM-80 results and TM-21 calculations

#### LEDs:

Six (6) multi-chip, 13W, high-output, long-life LEDs

#### Color Consistency:

3-step MacAdam Ellipse binning to achieve consistent fixture-to-fixture color

#### Color Stability:

LED color temperature is warranted to shift no more than 200K in color temperature over a 5-year period

#### Color Uniformity:

RAB's range of Correlated Color Temperature follows the guidelines of the American National Standard for Specifications for the Chromaticity of Solid State Lighting (SSL) Products, ANSI C78.377-2017.

### Listings

#### DLC Listed:

This product is on the Design Lights Consortium (DLC) Qualified Products List and is eligible for rebates from DLC Member Utilities. DLC Product Code: P0000179T

#### IESNA LM-79 & IESNA LM-80 Testing:

RAB LED luminaires and LED components have been tested by an independent laboratory in accordance with IESNA LM-79 and LM-80.

#### UL Listed:

Suitable for wet locations as a downlight

#### Dark Sky Conformance:

Conforms to (allows for conformance to) the requirements for the IDA's "Fixture Seal of Approval" as of March 1, 2016.

### Construction

#### IES Classification:

The Type III distribution is ideal for roadway, general parking and other area lighting applications where a larger pool of lighting is required. It is intended to be located near the side of the area, allowing the light to project outward and fill the area.

### IP Rating:

Ingress Protection rating of IP66 for dust and water

### Ambient Temperature:

Suitable For use in 40°C (104°F)

### Cold Weather Starting:

Minimum starting temperature is -40°C (-40°F)

### Thermal Management:

Superior heat sinking with external Air-Flow fins

## Technical Specifications (continued)

### Construction

#### Effective Projected Area:

EPA = 0.75

#### Lens:

Tempered glass lens

#### Housing:

Die-cast aluminum housing, lens frame and mounting arm

#### Mounting:

Universal mounting arm compatible for hole spacing patterns from 1" to 5 1/2" center to center. Round Pole Adaptor plate included as a standard. Easy slide and lock to mount fixture with ease. Round pole diameter must be >4" to mount fixtures at 90° orientation.

#### Reflector:

Specular vacuum-metallized polycarbonate

#### Gaskets:

High-temperature silicone gaskets

### Finish:

Formulated for high durability and long-lasting color

### Green Technology:

Mercury and UV free. RoHS-compliant components.

### Electrical

#### Driver:

Constant Current, Class 2, 2000mA, 100-277V, 50-60Hz, 1.1A, Power Factor 99%

#### THD:

4.4% at 120V, 12.4% at 277V

#### Power Factor:

99.5% at 120V, 93.5% at 277V

#### Surge Protection:

4kV

### Other

#### Patents:

The ALED design is protected by patents in the U.S. Pat. 668,370, Canada Pat. 144956, China ZL201230100154.X, and Mexico Pat. 38423. Pending patents in Taiwan.

#### BAA Compliance:

Click [here](#) for BAA compliance.

#### Warranty:

RAB warrants that our LED products will be free from defects in materials and workmanship for a period of five (5) years from the date of delivery to the end user, including coverage of light output, color stability, driver performance and fixture finish. RAB's warranty is subject to all terms and conditions found at [rablighting.com/warranty](http://rablighting.com/warranty).

#### Equivalency:

Equivalent to 250W Metal Halide

#### Buy American Act Compliance:

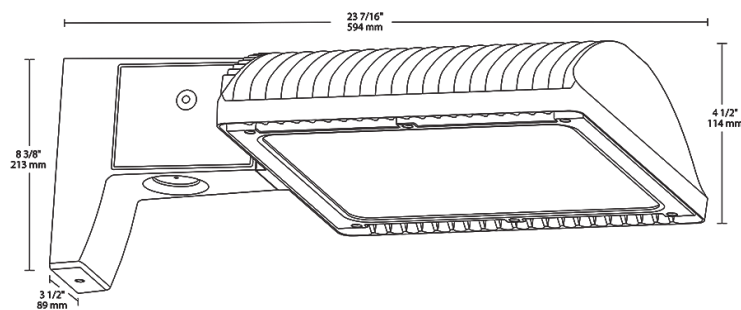
RAB values USA manufacturing! Upon request, RAB may be able to manufacture this product to be compliant with the Buy American Act (BAA). Please contact customer service to request a quote for the product to be made BAA compliant.

### Optical

#### BUG Rating:

B1 U0 G2

## Dimensions



## Features

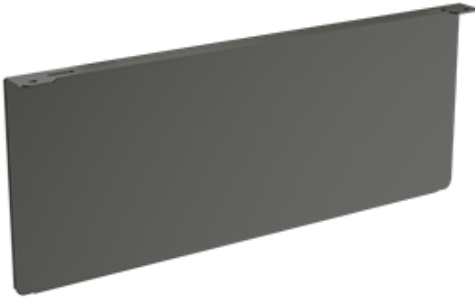
66% energy cost savings vs. HID

100,000-hour LED lifespan

5-Year, No-Compromise Warranty

## Ordering Matrix

Family	Optics	Wattage	Mounting	Color Temp	Finish	Driver Options	Options	Other Options
ALED	3T	78		Y				
	<b>4T</b> = Type IV <b>3T</b> = Type III <b>2T</b> = Type II	<b>50</b> = 50W <b>78</b> = 78W <b>105</b> = 105W <b>125</b> = 125W <b>150</b> = 150W	<b>Blank</b> = Pole mount <b>SF</b> = Slipfitter	<b>Blank</b> = 5000K (Cool) <b>N</b> = 4000K (Neutral) <b>Y</b> = 3000K (Warm)	<b>Blank</b> = Bronze <b>RG</b> = Roadway Gray <b>W</b> = White <b>K</b> = Black	<b>Blank</b> = 120-277V <b>/480</b> = 480V <b>/BL</b> = Bi-Level <b>/D10</b> = 0-10V Dimming	<b>Blank</b> = No Option <b>/LC</b> = Lightcloud® Controller <b>/PCS</b> = 120V Swivel Photocell <b>/PCS2</b> = 277V Swivel Photocell <b>/PCT</b> = 120-277V Twistlock Photocell <b>/PCS4</b> = 480V Swivel Photocell <b>/PCT4</b> = 480V Twistlock Photocell <b>/WS</b> = Multi-Level Motion Sensor <b>/WS2</b> = Multi-Level Motion Sensor 20 ft. <b>/WS4</b> = Multi-Level Motion Sensor 40 ft.	<b>Blank</b> = Standard <b>USA</b> = BAA Compliant



Weight: 0.0 lbs

Project:

Type:

Prepared By:

Date:

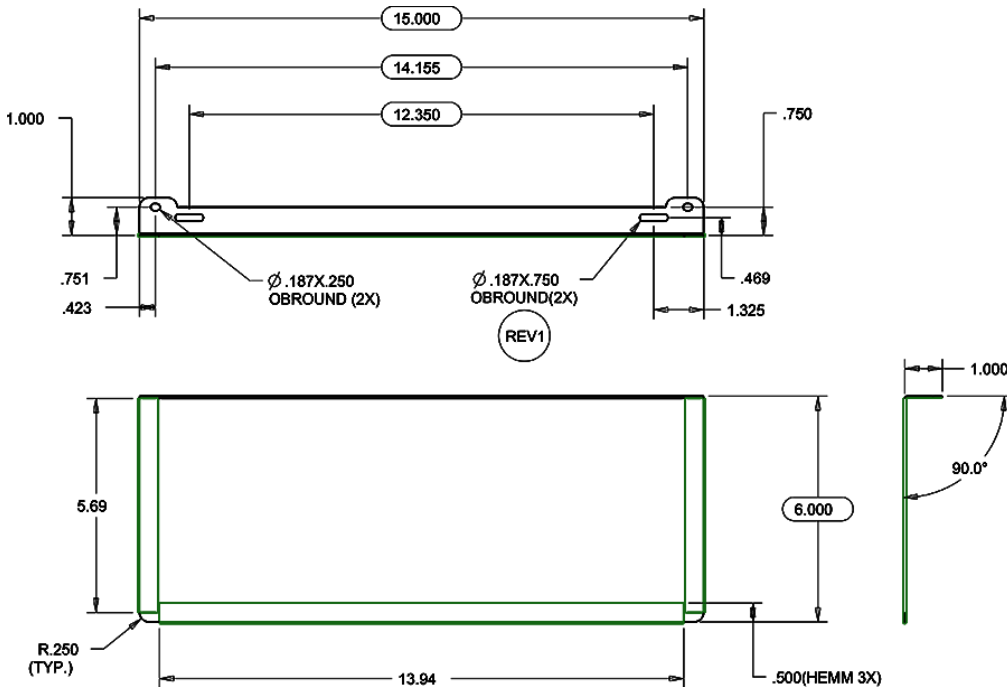
## Technical Specifications

### Other

#### Buy American Act Compliance:

RAB values USA manufacturing! Upon request, RAB may be able to manufacture this product to be compliant with the Buy American Act (BAA). Please contact customer service to request a quote for the product to be made BAA compliant.

## Dimensions





Square steel poles drilled for 2 Area Lights at 180°. Designed for ground mounting. Poles are stocked nationwide for quick shipment. Protective packaging ensures poles arrive at the job site good as new.

Color: Bronze

Weight: 105.8 lbs

<b>Project:</b>	<b>Type:</b>
<b>Prepared By:</b>	<b>Date:</b>

**Technical Specifications**

**Listings**

**CSA Listed:**

Suitable for wet locations

**Construction**

**Shaft:**

46,000 p.s.i. minimum yield.

**Hand Holes:**

Reinforced with grounding lug and removable cover

**Base Plates:**

Slotted base plates 36,000 p.s.i.

**Shipping Protection:**

All poles are shipped in individual corrugated cartons to prevent finish damage

**Color:**

Bronze powder coating

**Height:**

15 FT

**Weight:**

106 lbs

**Gauge:**

11

**Wall Thickness:**

1/8"

**Shaft Size:**

4"

**Hand Hole Dimensions:**

3" x 5"

**Bolt Circle:**

8 1/2"

**Base Dimension:**

8"

**Anchor Bolt:**

Galvanized anchor bolts and galvanized hardware and anchor bolt template. All bolts have a 3" hook.

**Anchor Bolt Templates:**

WARNING Template must be printed on 11" x 17" sheet for actual size. CHECK SCALE BEFORE USING. Templates shipped with anchor bolts and available [online](#).

**Pre-Shipped Anchor Bolts:**

Bolts can be pre-shipped upon request for additional freight charge

**Max EPA's/Max Weights:**

- 70MPH 14.0 ft./400 lb.
- 80MPH 10.2 ft./295 lb.
- 90MPH 7.6 ft./220 lb.
- 100MPH 5.6 ft./165 lb.
- 110MPH 4.2 ft./125 lb.
- 120MPH 3.0 ft./95 lb.
- 130MPH 2.1 ft./70 lb.
- 140MPH 1.4 ft./50 lb.
- 150MPH 0.8 ft./35 lb..

**Other**

**Terms of Sale:**

Pole Terms of Sale is available [online](#).

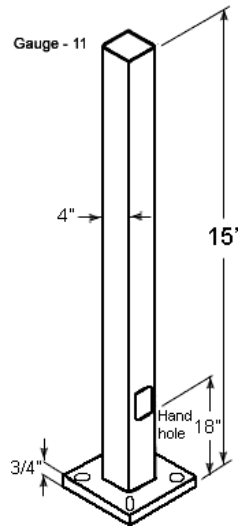
## Technical Specifications (continued)

### Other

#### Buy American Act Compliance:

RAB values USA manufacturing! Upon request, RAB may be able to manufacture this product to be compliant with the Buy American Act (BAA). Please contact customer service to request a quote for the product to be made BAA compliant.

### Dimensions



### Features

- Designed for ground mounting
- Heavy duty TGIC polyester coating
- Reinforced hand holes with grounding lug and removable cover for easy wiring access
- Anchor Bolt Kit includes pole cap and base cover (sold separately)
- Custom manufactured for each application