

TYPICAL FAST SYSTEM DETAILS
N.T.S.

FAST SYSTEM NOTES:

1. BLOWER PIPING TO FAST MAY NOT EXCEED 100 FT. TOTAL LENGTH AND USE 4 ELBOWS MAXIMUM. FOR DISTANCES GREATER THAN 100 FT - CONSULT FACTORY. BLOWER UNIT MUST BE LOCATED ABOVE ANY TYPICAL FLOOD OR STANDING WATER LEVELS ON A CONCRETE BASE.
2. RUN VENT TO DESIRED LOCATION, VENT TO BE LOCATED A MINIMUM OF 3' ABOVE FINISH GRADE TO AVOID INFILTRATION. CAP WITH VENT GRATE WITH AT LEAST 71 SQ. IN. OF OPEN SURFACE AREA. SECURE GRATE WITH STAINLESS STEEL SCREWS. VENT PIPING MUST NOT ALLOW EXCESS MOISTURE BUILD UP OR CAUSE BACK PRESSURE.
3. ALL APPURTENANCES AND ACCESSORIES TO THE FAST UNIT, (E.G. TANK, PIPE, RISERS, COVERS, ETC.) MUST CONFORM TO ALL COUNTRY, STATE, PROVINCE, AND LOCAL PLUMBING AND ELECTRICAL CODES. THE BLOWER CONTROL SYSTEM IS PROVIDED BY BIO-MICROBICS, INC.
4. EITHER THE INFLUENT PIPE TEE SHALL BE FITTED WITH A PIPE CAP OR THE BAFFLE SEPARATING THE TWO ZONES SHALL BE EXTENDED TO THE TOP OF THE TANK. IF CHOOSING TO USE THE PIPE CAP; DRILL A 1/4" VENT HOLE IN THE CAP AND THE BAFFLE SHALL BE AT LEAST 3" HIGHER THAN THE WATER LEVEL AS SHOWN ON THE DRAWING.
5. ALL INSPECTION, VIEWING AND PUMP OUT PORTS MUST BE SECURED TO PREVENT ACCIDENTAL OR UNAUTHORIZED ACCESS.
6. THE TANK, CONCRETE PAD, PIPING, RISERS, COVERS, VENTS AND CONDUIT ARE ALL PROVIDED BY OTHERS.
7. ALL PIPING AND ANCILLARY EQUIPMENT INSTALLED AFTER FAST SYSTEM MUST NOT IMPEDE OR RESTRICT FREE FLOW OF EFFLUENT.
8. NO MORE THAN 4 FT OF FILL MAY BE PLACED OVER UNIT LID. REFER TO INSTALLATION MANUAL FOR MORE DETAILS.

HOMEOWNER NOTES

THIS SYSTEM HAS BEEN DESIGNED TO INCORPORATE A FAST WASTEWATER TREATMENT SYSTEM

PLEASE REFER TO YOUR FAST OWNER'S MANUAL

YOU HAVE A FAST (FIXED ACTIVATED SLUDGE TREATMENT) WASTEWATER TREATMENT SYSTEM INSTALLED ON YOUR PROPERTY. THE FAST SYSTEM BY BIO-MICROBICS MEETS THE HIGHEST INDUSTRY TREATMENT STANDARDS. PLEASE TAKE TIME TO READ THE FAST OWNER'S MANUAL, YOU WILL LEARN IMPORTANT SAFETY PRECAUTIONS, REVIEW DETAILED INFORMATION ON PROPER USE AND CARE OF YOUR SYSTEM. DESIGNED FOR MINIMAL OPERATOR ATTENTION, THE FAST SYSTEM CONTAINS ONLY ONE MOVING PART, THE BLOWER. FOR BEST RESULTS, FOLLOW THE RECOMMENDED INSPECTION AND MAINTENANCE SCHEDULES.

TO PROLONG THE LIFE OF YOUR SYSTEM:

1. HAVE THE FAST SYSTEM INSPECTED AND TANK PUMPED AS NECESSARY.
2. KEEP TRACK OF THE SUBSTANCES ENTERING YOUR SYSTEM.
3. REVIEW THE LIST OF DO'S & DON'TS IN YOUR OWNERS MANUAL.
4. KEEP THE FAST SYSTEM OPERATING - DO NOT TURN OFF THE BLOWER.
5. CARE FOR YOUR LEACHING FIELD OR SOIL ABSORPTION SYSTEM.

IF YOU SHOULD DESIRE ANY FURTHER ASSISTANCE WITH THE FAST UNIT, PLEASE CONTACT BIO-MICROBICS AT SALES@BIOMICROBICS.COM OR CALL US AT 800-753-FAST (3278).

ONGOING SERVICE ;

YOUR SYSTEM IS SUBJECT TO INSPECTION MONITORING, REPORTING FINDINGS, AND A SERVICE CONTRACT FOR THE LIFE OF THE SYSTEM.

ONLY QUALIFIED SERVICE STAFF SHOULD OPEN ACCESS PORTS AND/OR COVERS. AS THE FAST SYSTEM PROCESSES THE RAW DOMESTIC WASTE (PRODUCING SLUDGE AND SLOUGHED-OFF BACTERIA), DEAD BACTERIA & NON-BIODEGRADABLE WASTE SETTLE AND ACCUMULATE IN THE BOTTOM OF THE SEPTIC TANK FOR PERIODIC REMOVAL. THE PERIODIC REMOVAL TIME INTERVAL WILL CHANGE DEPENDING ON THE SIZE OF THE SYSTEM AND VARYING LOAD CONDITIONS.

PUMPING THE SEPTIC TANK WITH A FAST UNIT :

PERIODIC PUMPING IS REQUIRED BY A LICENCED SYSTEM PUMPING PROFESSIONAL.

PUMPING PROCEDURE :

FREQUENCY OF THE PUMPING WILL BE DETERMINED BY THE MEASUREMENT OF SLUDGE DEPTH. TO DETERMINE THE SLUDGE DEPTH ACCURATELY, THE SYSTEM PUMPER WILL OPEN UP THE ACCESS PORTS/COVER(S) TO THE PRIMARY ZONE (SETTLING COMPARTMENT), INSERT A SLUDGE-MEASURING INSTRUMENT, AND TAKE SAMPLES. IF SLUDGE IS 18" (INCHES) DEEP OR TAKES UP 75% OF THE AREA BELOW THE PORT CONNECTING SETTLING COMPARTMENT TO SECONDARY ZONE (WHICH CONTAINS THE FAST SYSTEM), HAVE THE TANK PUMPED OUT. ALL STRICTER, APPLICABLE REGULATIONS SUPERSEDE THESE OPERATIONAL DIRECTIONS. ALSO, CHECK THE SLUDGE DEPTH OF THE SECONDARY ZONE. OPEN THE ACCESS PORTS/COVER(S) TO THE SECONDARY ZONE AND MEASURE SLUDGE DEPTH. IF SLUDGE DEPTH IN THE SECONDARY ZONE IS GREATER THAN 14 (INCHES), IT IS NECESSARY TO PUMP THE BIO-SOLIDS OUT. ALWAYS PUMP OUT BOTH ZONES OF THE SYSTEM EVEN IF ONLY ONE ZONE MAY REQUIRE IT.

1. OPEN THE ACCESS PORTS/COVER(S) AND INSERT THE HOSE. BE SURE TO PUMP OUT BOTH SETTLING AND TREATMENT CHAMBERS OF THE SYSTEM.
2. ONCE THE UNIT HAS BEEN PUMPED OUT, IMMEDIATELY REFILL THE TANK WITH CLEAN WATER TO REDUCE THE RISK OF THE TANK FLOATING AND TO MINIMIZE THE IMPACT ON TREATMENT. CLOSE THE ACCESS PORTS/COVER(S) MAKING SURE IT IS WATERTIGHT.
3. PROPERLY DISPOSE OF THE SOLIDS IN COMPLIANCE WITH LOCAL AND STATE REGULATIONS.

SEASONAL/INTERMITTENT USE :

THE FAST WASTEWATER TREATMENT SYSTEM WILL FUNCTION NORMALLY DURING SHORT PERIODS OF INACTIVITY, EVEN IF THERE IS NO WASTEWATER FLOWING TO THE SYSTEM. THE POWER TO THE SYSTEM SHOULD BE LEFT ON DURING THIS TIME. TYPICAL EXAMPLES OF EXTENDED PERIODS OF INTERMITTENT USE AND SUGGESTED OPERATIONAL PROCEDURES:

- SUMMER USE PROPERTY (SHUT DOWN ALL WINTER) - BLOWER SHOULD BE TURNED OFF AT END OF SUMMER AND RESTARTED UPON RETURN.
- WEEKEND USE PROPERTY (USED AT LEAST ONCE EVERY THREE WEEKENDS) - MAINTAIN NORMAL OPERATION OR UTILIZE FAST'S SFR BLOWER TIMER FEATURE ON CONTROL PANEL. CONSULT YOUR SERVICE PROVIDER AND LOCAL REGULATIONS PRIOR TO ANY SYSTEM CHANGES. CHECK WITH LOCAL REGULATIONS BEFORE ATTEMPTING:
- SELDOM USE PROPERTY (I.E. SUMMER USE ONLY) IF SELDOM USED AND BLOWER IS SHUT DOWN COMPLETELY FOR AN EXTENDED PERIOD OF TIME, WE SUGGEST TO ARRANGE THROUGH YOUR LOCAL SERVICE PROVIDER RESTARTING THE BLOWER A WEEK OR TWO PRIOR TO RETURNING TO THE PROPERTY.

2	6/2/20	BRG	WFM	NO CHANGE
1	1/22/20	BRG	WFM	NO CHANGE
REV.	DATE	BY	APP'D.	DESCRIPTION

APPROVED BY: _____

SEWAGE DISPOSAL SYSTEM DESIGN

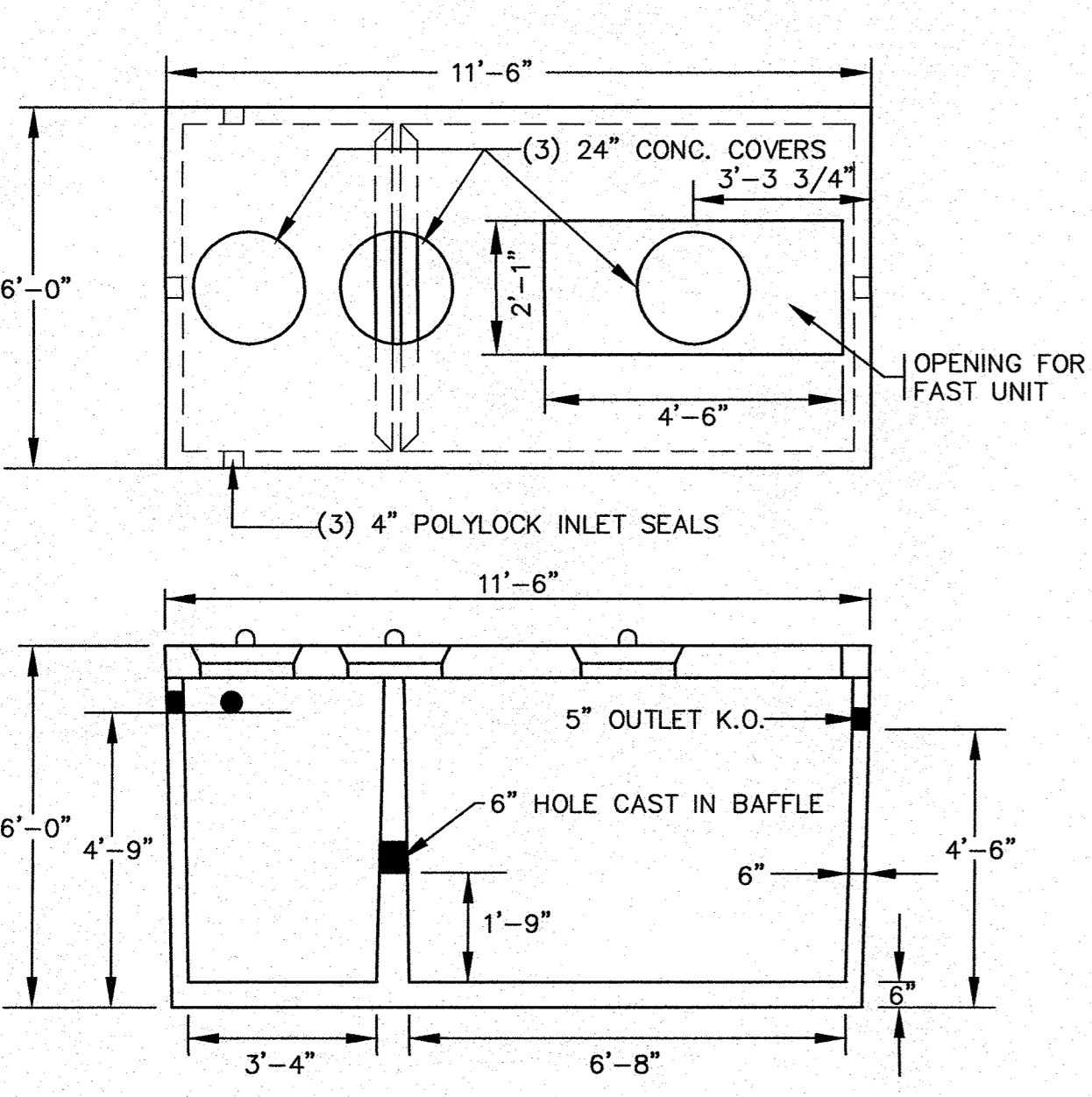
PREPARED FOR
KENNETH DELUZE
MAP 18 / LOTS 1009, 1031
104 GREAT NECK ROAD
WAREHAM, MA

G.A.F. ENGINEERING, INC.
PROFESSIONAL ENGINEERS & LAND SURVEYORS
266 MAIN STREET, WAREHAM, MA 02571
TEL: (508) 295-6600 FAX: (508) 295-6634
E-MAIL: gaf.eng@verizon.net

APPROVED BY: _____

DWG NO.: SD-1 SCALE: AS NOTED DATE: DEC. 26, 2019
DRN BY: JMP CHK BY: WFM JOB NO.: 19-9301

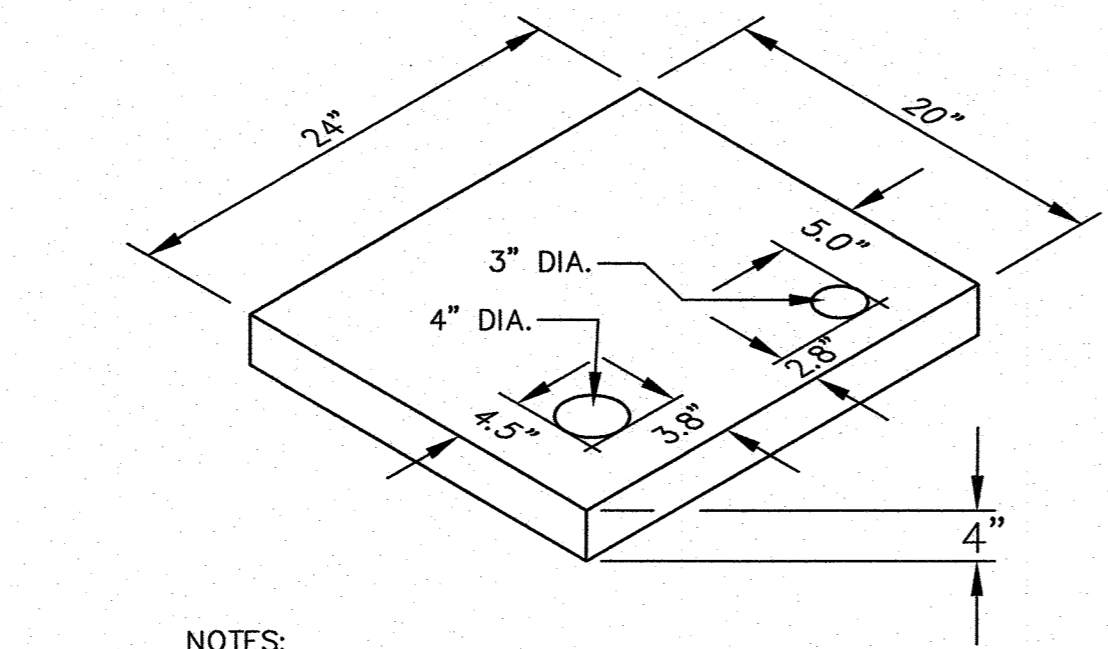
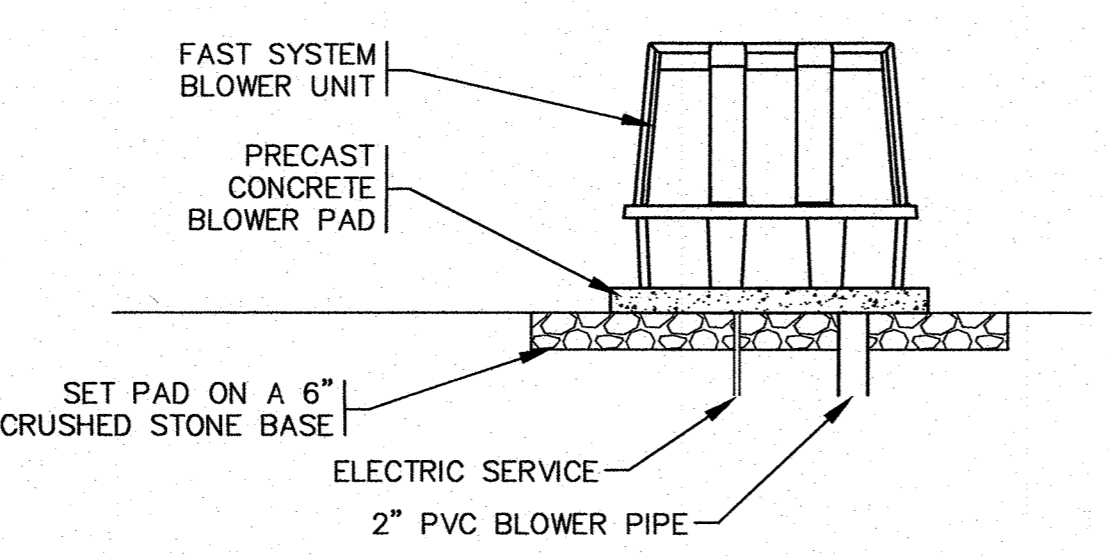
ACME PRECAST FAST READY TANK



CONC. MIN. STRENGTH : 4,000 P.S.I. @ 28 DAYS
STEEL REINFORCEMENT : 6" X 6" 10 GA. WIRE MESH
DESIGN LOADING : STD. UNITS - AASHO H-10

3191 CMR 15.22(21) SEPTIC TANK/PUMP CHAMBERS SHALL BE INSTALLED LEVEL AND TRUE TO GRADE ON A LEVEL, STABLE BASE THAT HAS BEEN MECHANICALLY COMPACTED AND ON TO WHICH SIX INCHES OF CRUSHED STONE HAS BEEN PLACED.

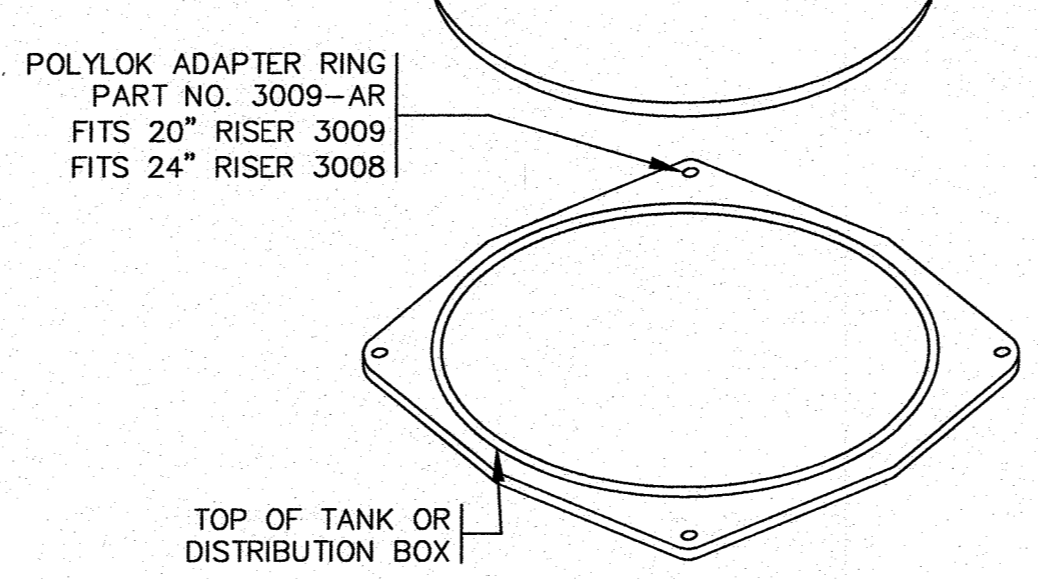
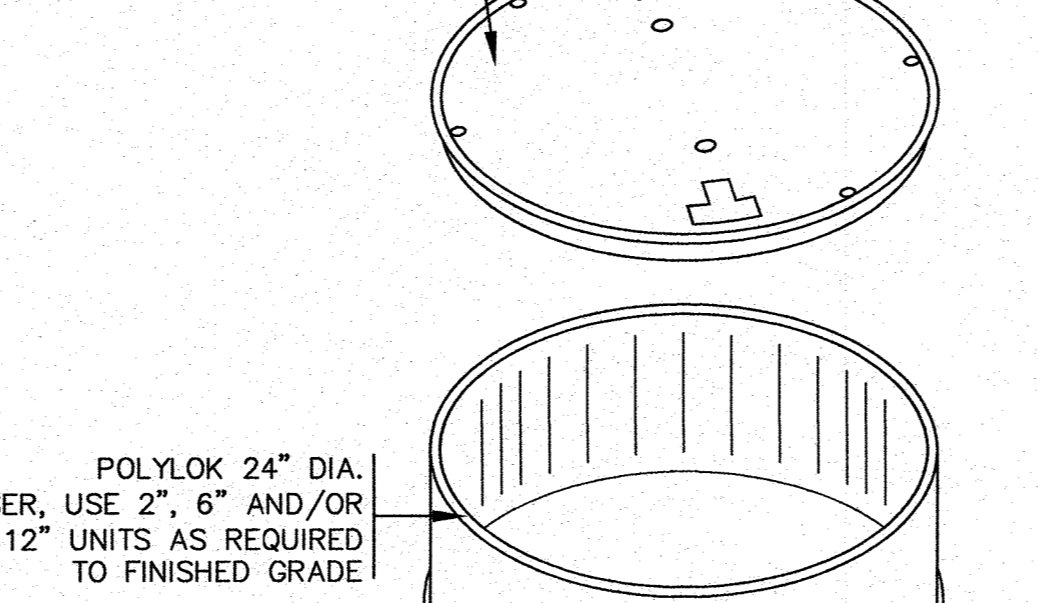
OPTION:
BLOWER MAY BE PLACED BELOW GRADE IN VAULT. COORDINATE WITH OWNER AND MICRO FAST PRIOR TO CONSTRUCTION.



- NOTES:**
1. PAD REINFORCED WITH 6 GA. WIRE.
 2. SET PAD ON 6" CRUSHED STONE BASE.

PRECAST CONCRETE BLOWER PAD
N.T.S.

POLYLOK 24" DIA. RISER COVER, PART NO. 3008-RC



- NOTE:**
- POLYLOK PRODUCT DETAILS SHOWN (OR USE APPROVED EQUAL) ALL COMPONENTS TO BE INSTALLED IN CONFORMANCE WITH THE MANUFACTURERS INSTALLATION INSTRUCTIONS.

RISER / COVER DETAIL
N.T.S.

ELECTRICAL NOTES:

1. THE FAST REQUIRES A SYSTEM BLOWER AND AN ALARM / CONTROL PANEL. THIS BLOWER REQUIRES A SEPARATE DEDICATED CIRCUIT IN THE BUILDINGS MAIN ELECTRICAL PANEL. THIS SYSTEM ALSO INCLUDES AN ALARM, WHICH SHOULD BE WIRED INTO A DIFFERENT CIRCUIT THAN THE BLOWER ITSELF. REFER TO SHEET 1 OF 2 FOR THE LOCATION OF THE BLOWER.
2. THE LOCATION OF THE ALARM / CONTROL PANEL IS NOT SHOWN ON SHEET 1 OF 2, AND SHOULD BE COORDINATED WITH THE HOME OWNER PRIOR TO INSTALLATION.
3. THE ELECTRICAL SOURCE IN THE BUILDING SHOULD BE WITHIN 150 FEET OF THE BLOWER. REFER TO THE MANUFACTURERS INSTALLATION INSTRUCTIONS FOR DISTANCES GREATER THAN 150 FEET.
4. THE ELECTRICIAN SHALL REFER TO THE MANUFACTURERS INSTALLATION INSTRUCTIONS FOR ALL ELECTRICAL CONNECTIONS FOR THE BLOWER AND ALARM / CONTROL PANEL.

INSTALLERS NOTES:

1. THE INSTALLER SHALL FOLLOW THE INSTALLATION INSTRUCTIONS AS PREPARED AND PROVIDED BY BIO-MICROBICS, INC., AS SUPPLIED WITH THE FAST SYSTEM.
2. THE INSTALLER SHALL FAMILIARIZE HIMSELF WITH THE RULES AND REGULATIONS OF THE TOWN OF WAREHAM BOARD OF HEALTH, INCLUDING ALL INSPECTION AND TESTING REQUIREMENTS.