

VICINITY MAP
1"=2,000'



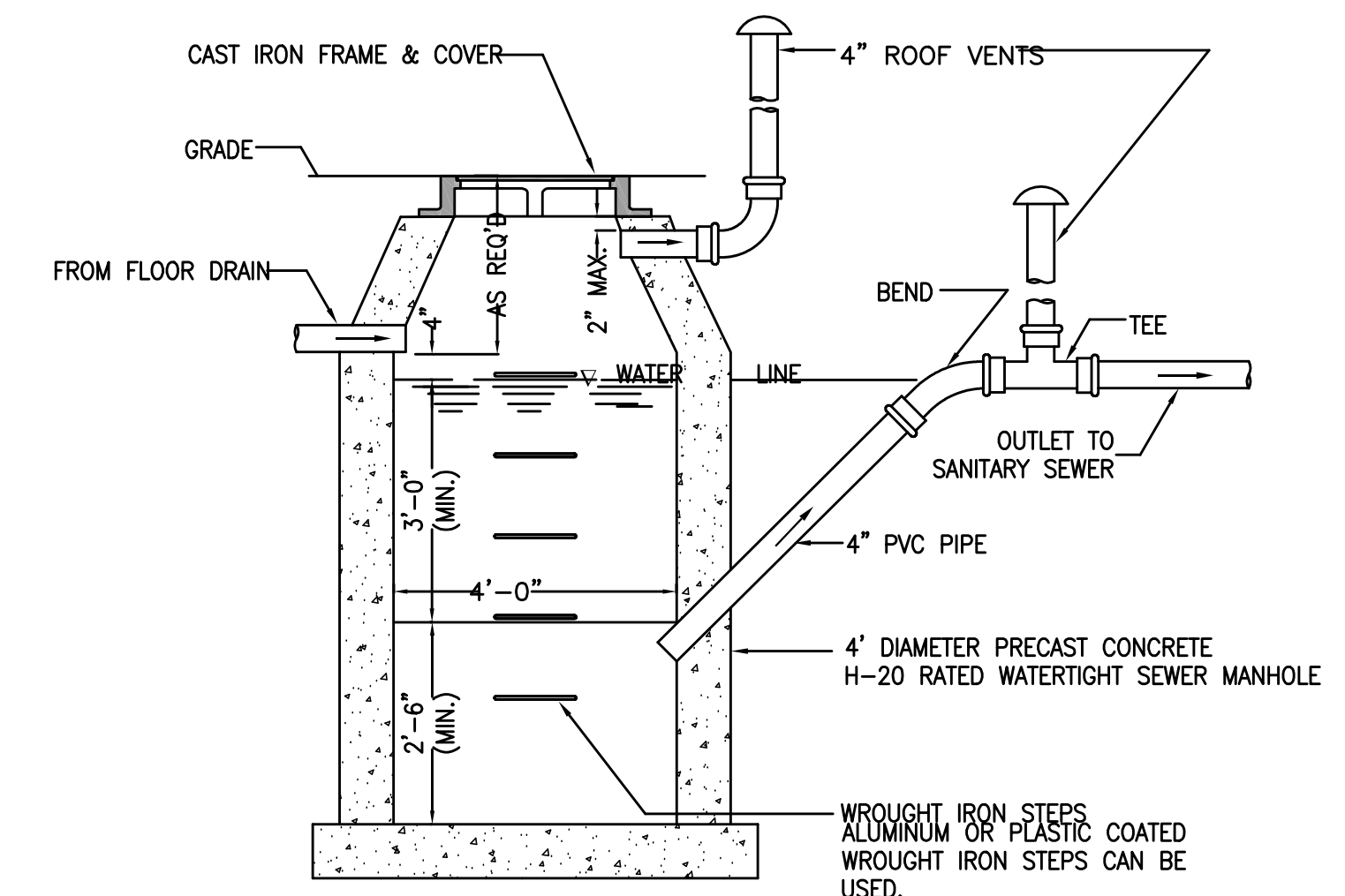
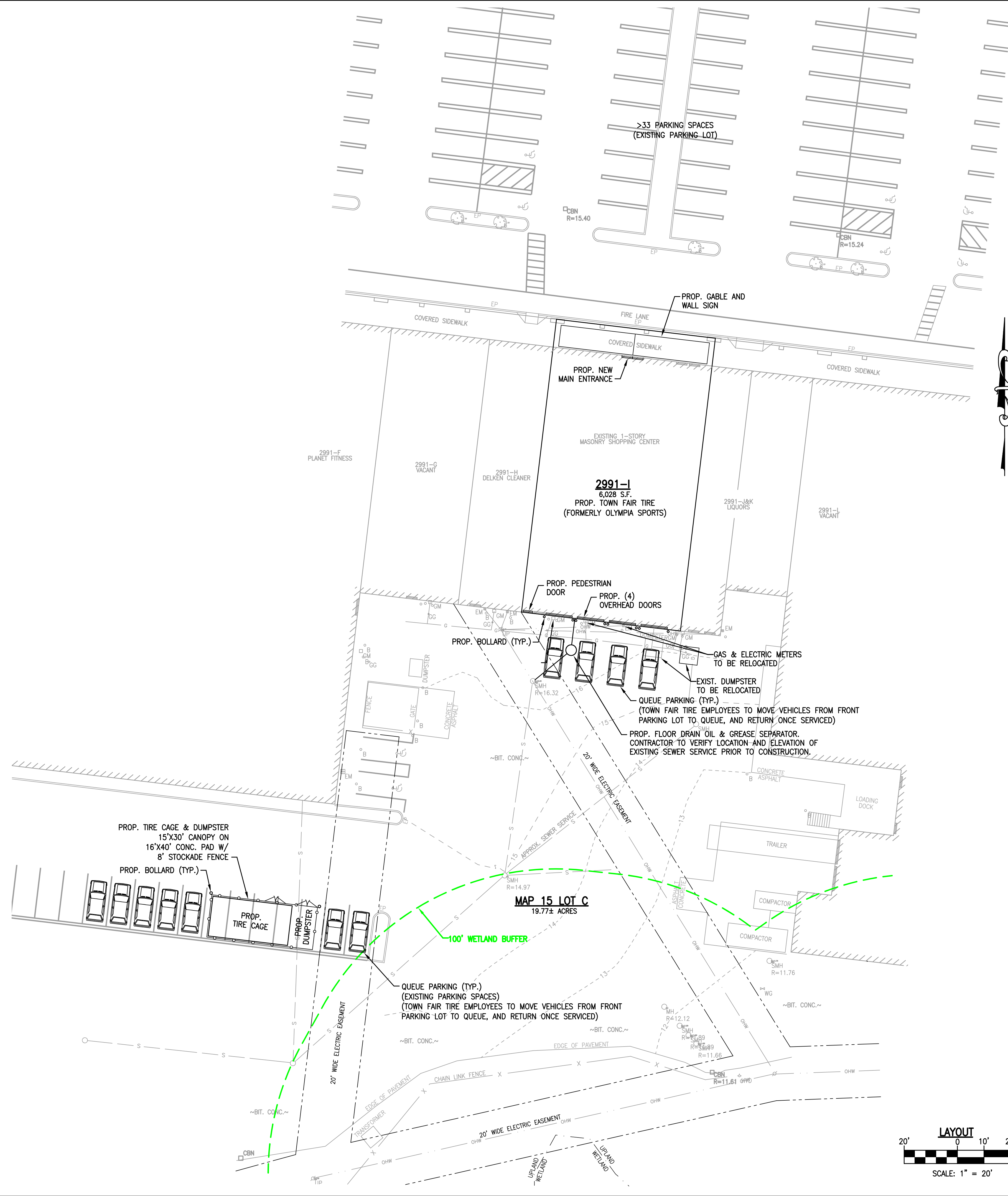
OVERALL AERIAL
1"=250'



PHOTO-FRONT



PHOTO-REAR

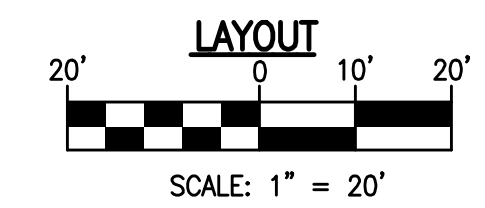


1. BASIN AND ALL COMPONENTS TO BE H-20 RATED.
 2. BASIN TO BE LOCATED OUTSIDE OF BUILDING WHERE POSSIBLE, COVER TO HAVE A CENTER HOLE.
 3. A TIGHT COVER MUST BE USED IF BASIN IS LOCATED INSIDE OF BUILDING.
 4. OPENING SHALL BE NOT LESS THAN 24" DIA.
 5. THE STRUCTURE SHALL BE SO LOCATED AND CONSTRUCTED THAT SURFACE WATER SHALL BE EXCLUDED.
 6. INLET PIPE SHALL BE AT LEAST FOUR INCHES ABOVE NORMAL WATER LINE.
 7. WHERE SUBJECT TO FROST OR CRUSHING CONDITIONS, OUTLET SHALL BE AT LEAST THREE FEET BELOW THE SURFACE.
 8. THE NEW CATCH BASIN MUST BE FILLED WITH CLEAN WATER BEFORE USING, AND AFTER BEING EMPTIED FOR PERIODIC CLEANING.
 9. ALL OIL AND GASOLINE MUST BE REMOVED BEFORE CLEANING OUT THE BASIN, AND MUST NOT BE DISCHARGED INTO THE SEWER THROUGH OTHER FIXTURES.
 10. WROUGHT IRON STEPS SHALL BE SPACED ABOUT 18" APART.
 11. BOTH VENTS SHALL BE EXTENDED INDEPENDENTLY 18" ABOVE THE ROOF.
- FLOOR DRAIN OIL & GREASE SEPARATOR DETAIL**
NOT TO SCALE

- GENERAL NOTES:**
1. DEED REFERENCE: BOOK 34912 PAGE 237
 2. PLAN REFERENCE: PLAN BOOK 36 PAGE 349
 3. OWNER: TRT WAREHAM, LLC
3520 PIEDMONT ROAD NORTHEAST SUITE 410
ATLANTA, GA 30305
 4. THE SUBJECT PROPERTY IS LOCATED WITHIN THE TOWN OF WAREHAM COMMERCIAL STRIP ZONING DISTRICT
 5. PROPERTY LINE AND EASEMENTS INFORMATION IS COMPILED FROM ALTA/ACSM LAND TITLE SURVEY BY THOMPSON MERRILL DATED FEBRUARY 5, 2007.
 6. EXISTING CONDITIONS INFORMATION IS THE RESULT OF A FIELD SURVEY PERFORMED BY MORSE ENGINEERING COMPANY, INC. ON APRIL 4, 2023.
 7. THE SUBJECT PROPERTY LIES IN ZONES "X" (OUTSIDE THE 100-YEAR FLOOD PLAIN) AND "X" (HATCHED - WITHIN THE 500-YEAR FLOOD PLAIN) AS SHOWN ON FEMA COMMUNITY MAP PANEL 25023C 0493K DATED JULY 6, 2021.
 8. THE SUBJECT PROPERTY DOES NOT LIE WITHIN A DEP DESIGNATED ZONE II RESOURCE AREA.
 9. THE SUBJECT PROPERTY IS NOT LOCATED WITHIN A DEP ZONE A SURFACE WATER SUPPLY
 10. UTILITIES SHOWN ON THIS PLAN ARE BASED ON OBSERVATION OF ABOVE GROUND UTILITIES AND RECORD LOCATION OF BELOW GROUND UTILITIES. NO WARRANTY IS EXPRESSED OR IMPLIED AS TO THE ACCURACY OF THE LOCATIONS OF SAID UTILITIES, OR THE EXISTENCE OR NON EXISTENCE OF ANY OTHER SUCH UTILITIES.
 11. THE CONTRACTOR SHALL CONTACT DIG SAFE (888-344-7233) AND VERIFY THE LOCATIONS OF ALL EXISTING UTILITIES PRIOR TO CONSTRUCTION.
 12. THE CONTRACTOR SHALL NOTIFY THE ENGINEER OF ANY FIELD CHANGES.
 13. THE PROPERTY IS SERVICED BY MUNICIPAL WATER AND SEWER SERVICES.

PARKING SUMMARY:
NUMBER OF SPACES REQUIRED = 33 SPACES
(3,722 S.F. RETAIL X (1 SPACE / 300 S.F.) + 4 BAYS X (5 SPACES / BAY) = 32.4 SPACES)
NUMBER OF SPACES PROVIDED = 33 SPACES IN FRONT PARKING LOT PLUS QUEUE PARKING IN REAR.

| | | | |
|-------------|--|---------|---|
| | PREPARED BY: | | |
| | PROJECT: | | TOWN FAIR TIRE CRANBERRY PLAZA 2991-I CRANBERRY HIGHWAY WAREHAM, MASSACHUSETTS |
| DESIGN: | JH | CHECK: | GM |
| APPLICANT: | TOWN FAIR TIRE 460 COE AVENUE EAST HAVEN, CT 06511 | JOB NO: | 23-143 |
| DATE: | 4/18/2023 | DATE: | 4/26/2023* |
| REVISIONS: | 5/17/2023* 5/18/2023* | DATE: | 5/18/2023* |
| PLAN TITLE: | PROPOSED SITE PLAN | SHEET: | 1 |



*REVISED 4/26/2023 PER APPLICANT - TIRE CAGE LOCATION
*REVISED 5/17/2023 PER BUILDING INSPECTOR - QUEUE PARKING
*REVISED 5/18/2023 PER BUILDING INSPECTOR - SPACES/BAY