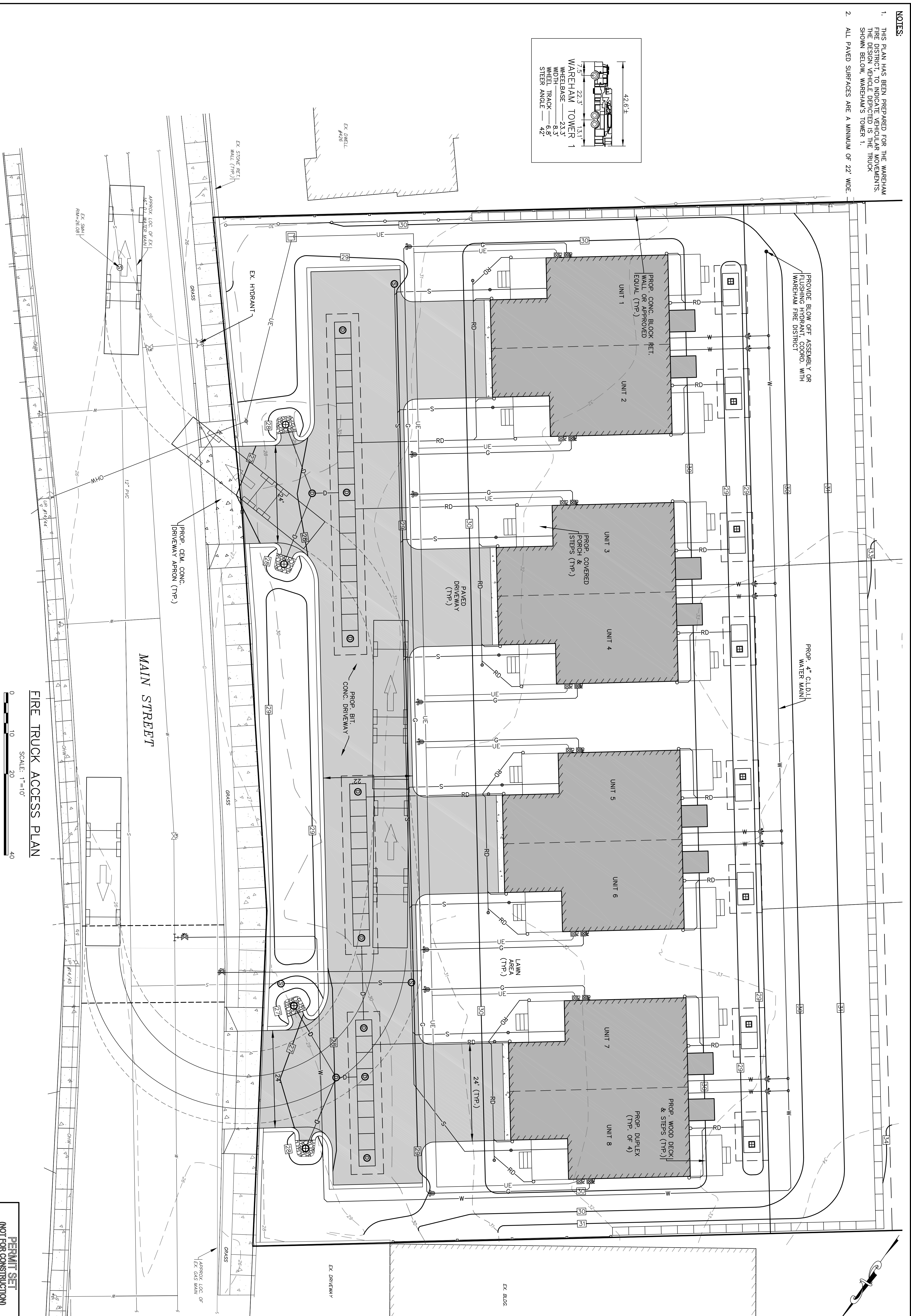
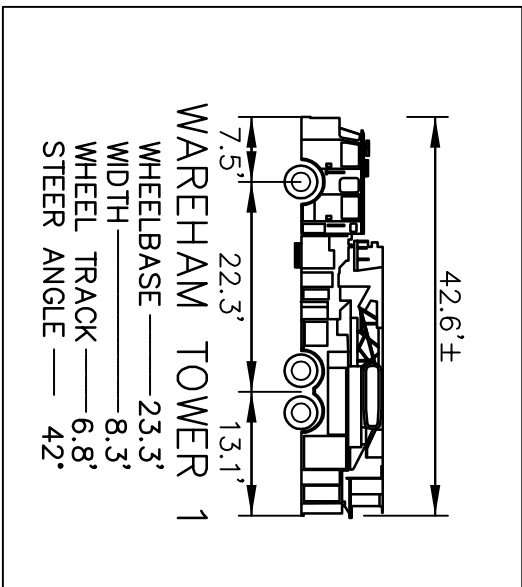


NOTES:

1. THIS PLAN HAS BEEN PREPARED FOR THE WAREHAM FIRE DISTRICT AND DOES NOT INCLUDE WAREHAM FIRE DISTRICT DEPARTMENT 1'S TRUCK SHOWN BELOW, WAREHAM'S TOWER 1.
2. ALL PAVED SURFACES ARE A MINIMUM OF 22' WIDE.



FIRE TRUCK ACCESS PLAN

SCALE: 1"=10'
 0 10 20 40

PERMIT SET
 (NOT FOR CONSTRUCTION)
 DWG. 1 OF 1

**SITE DEVELOPMENT PLAN
 FIRE TRUCK ACCESS PLAN**
 434 MAIN STREET WAREHAM, MA
 PREPARED FOR:
NAZIH B. ELKALLASSI
 20 TOWER TERRACE WAREHAM, MA

G.A.F. ENGINEERING, INC.
 PROFESSIONAL ENGINEERS & LAND SURVEYORS
 266 MAIN STREET - WAREHAM, MA 02571
 TEL: (508) 295-6600 FAX: (508) 295-6634
 E-MAIL: info@gafenginc.com
COPYRIGHT © 2023 G.A.F. ENGINEERING, INC. NO PART OF THIS DOCUMENT MAY BE REPRODUCED, STORED, OR TRANSMITTED BY ANY MEANS, ELECTRONIC AND/OR MECHANICAL, PHOTOCOPIING, WHAT-EVER, WITHOUT THE EXPRESS WRITTEN CONSENT OF G.A.F. ENGINEERING, INC. WITH THE EXCEPTION OF ANY REGULATORY AUTHORITY WHICH MAY REPRODUCE IT IN CONJUNCTION WITH THE PERFORMANCE OF OFFICIAL BUSINESS UNDER ITS JURISDICTION. ANY MODIFICATIONS MADE TO THIS DOCUMENT WITHOUT THE EXPRESS WRITTEN CONSENT OF G.A.F. ENGINEERING, INC. SHALL RENDER IT UNUSABLE.

APPROVED BY: **PROGRESS**
 1/30/23
 DATE: JAN. 30, 2023
 DRAWN BY: JMP
 CHECKED BY: WFM
 JOB NO.: 21-9751
 SCALE: 1" = 10'

REV.	DATE	BY	APP'D	DESCRIPTION